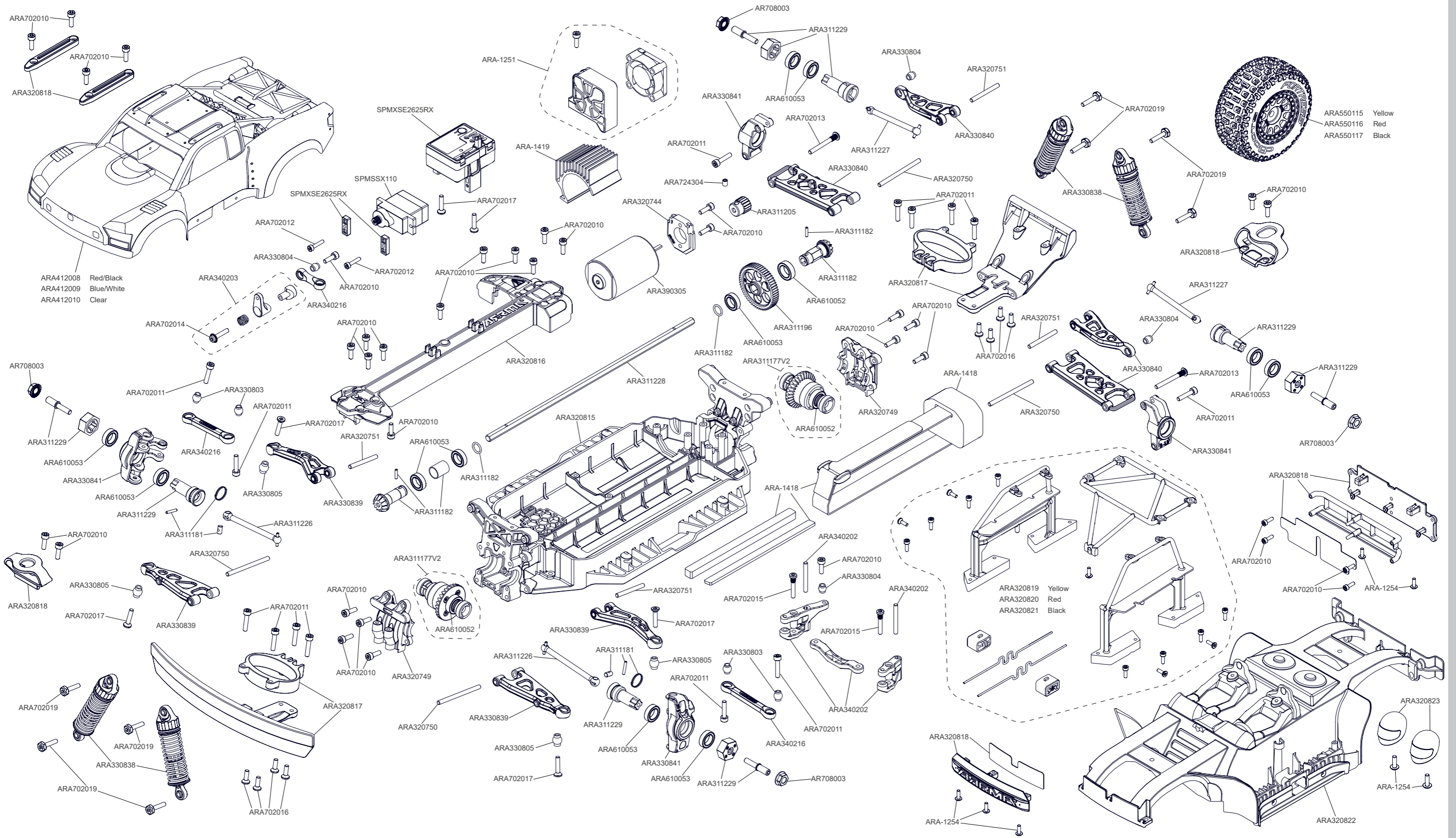




EXPLODED VIEW EXPLOSIONSANSICHT VUE ÉCLATÉE





ARB1000520B4.1 ©2024 Horizon Hobby, LLC. ARRMA RC is a trade name of Horizon Hobby Ltd. Horizon Hobby Ltd is a subsidiary of Horizon Hobby, LLC. ARRMA, the ARRMA logo, 380 Mega and MOJAVE GROM are trademarks or registered trademarks of Horizon Hobby, LLC. All other trademarks, service marks and logos are property of their respective owners.

TECHNICAL PACK! TECHNISCHES PACK! PACK TECHNIQUE!

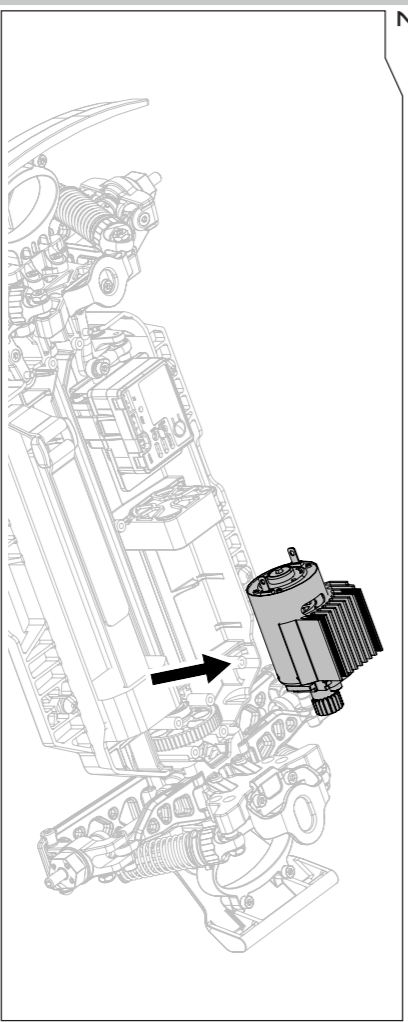
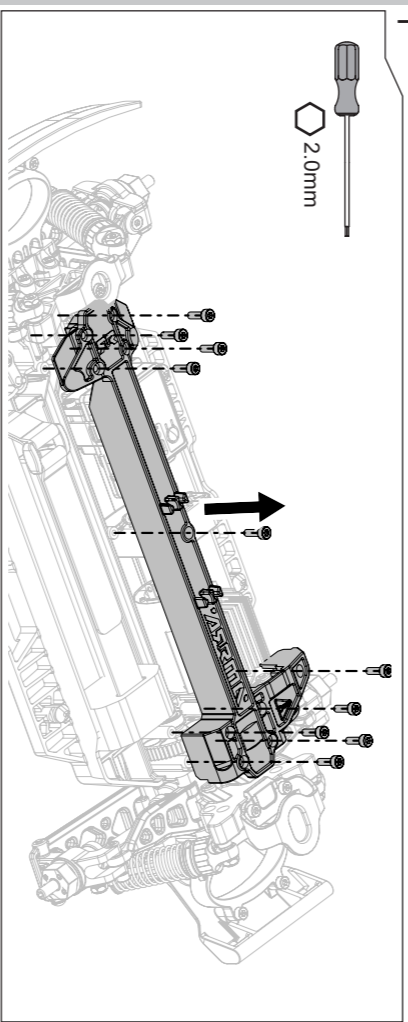
ARRMA MOJAVE GROM

ARRMA MOJAVE GROM

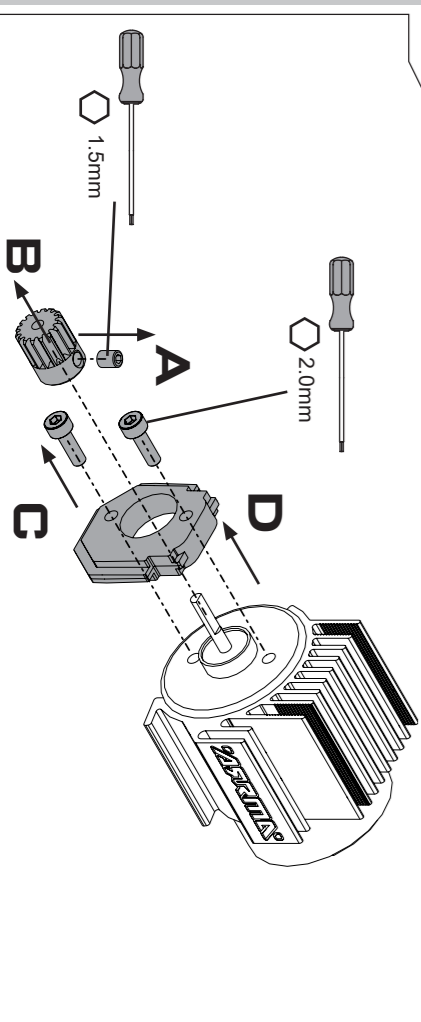


How To... WIE... COMMENT...

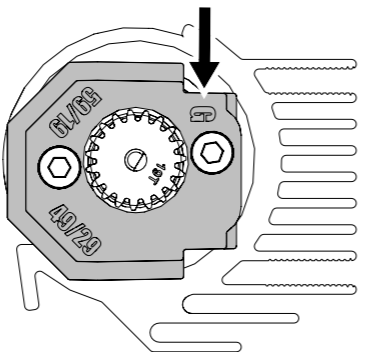
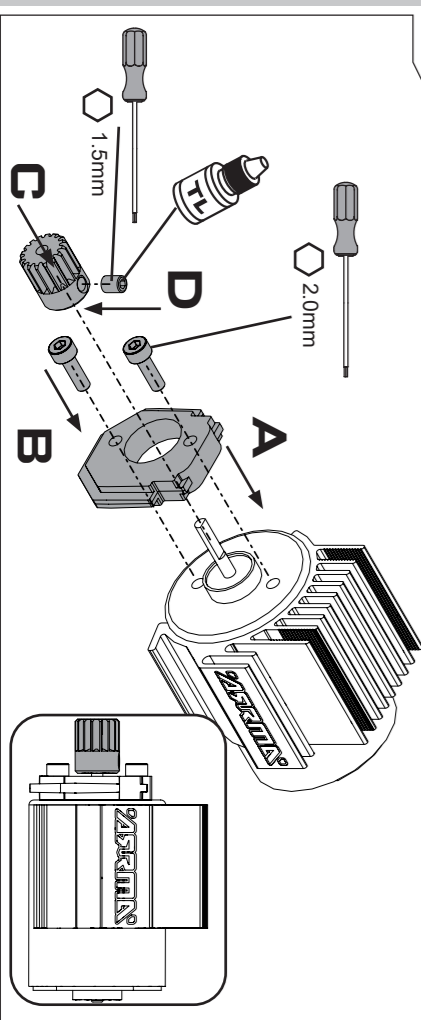
Change the Pinion / Motor: Wechselt man das Motorritzel/den Motor. Changez le Pignon / Moteur.



3

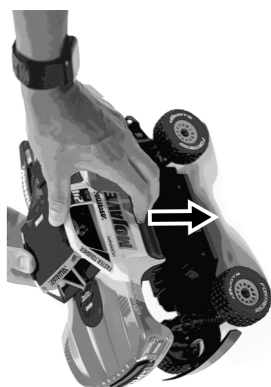
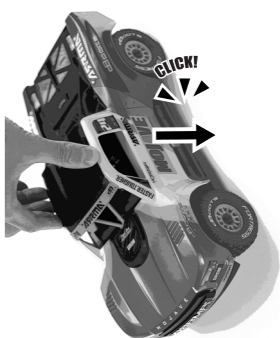


4

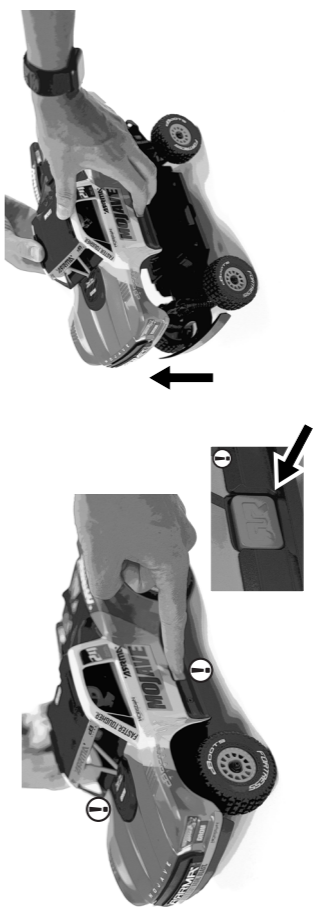


Motor Mount Chart Motormontagetabelle Tableau de montage du moteur	Pinion Gear Ritzel Pignon
Spur Gear Stirnradgetriebe Engrenage droit	59 Tooth
	A C E G I K M
	16 17 18 19 20 21 22

ARRA311202	Pinion Gear 16T MOD 0.5 CNC
ARRA311203	Pinion Gear 17T MOD 0.5 CNC
ARRA311204	Pinion Gear 18T MOD 0.5 CNC
ARRA311205	Pinion Gear 19T MOD 0.5 CNC
ARRA311206	Pinion Gear 20T MOD 0.5 CNC
ARRA311207	Pinion Gear 21T MOD 0.5 CNC
ARRA311208	Pinion Gear 22T MOD 0.5 CNC



INSTALL.. INSTALLIEREN.. INSTALLER..



REMOVE.. ENTFERNEN.. RETIRER..



How To... WIE... COMMENT...

Remove and install the Body Entfernen und installieren Sie das Gehäuse Retirer et installer le corps

Remove and install the Body Entfernen und installieren Sie das Gehäuse Retirer et installer le corps