



WWW.AXIALADVENTURE.COM

1/18th SCALE READY-TO-RUN

# Capra™ 4WS UTB18™



AXI-1750T1:T2

INSTRUCTION MANUAL  
BEDIENUNGSANLEITUNG  
MANUEL D'UTILISATION  
MANUALE DI ISTRUZIONI

Scan the QR code and select the Manuals and Support quick links from the product page for the most up-to-date manual information.

Scannen Sie den QR-Code und wählen Sie auf der Produktseite die Quicklinks Handbücher und Unterstützung, um die aktuellsten Informationen zu Handbüchern.

Scannez le code QR et sélectionnez les liens rapides Manuals and Support sur la page du produit pour obtenir les informations les plus récentes sur le manuel.

Scannerizzare il codice QR e selezionare i Link veloci Manuali e Supporto dalla pagina del prodotto per le informazioni manuali più aggiornate.

## NOTICE

All instructions, warranties and other collateral documents are subject to change at the sole discretion of Horizon Hobby, LLC. For up-to-date product literature, visit [horizonhobby.com](http://horizonhobby.com) or [towerhobbies.com](http://towerhobbies.com) and click on the support or resources tab for this product.


## MEANING OF SPECIAL LANGUAGE

The following terms are used throughout the product literature to indicate various levels of potential harm when operating this product:

**WARNING:** Procedures, which if not properly followed, create the probability of property damage, collateral damage, and serious injury OR create a high probability of superficial injury.

**CAUTION:** Procedures, which if not properly followed, create the probability of physical property damage AND a possibility of serious injury.

**NOTICE:** Procedures, which if not properly followed, create a possibility of physical property damage AND a little or no possibility of injury.

 **WARNING:** Read the ENTIRE instruction manual to become familiar with the features of the product before operating. Failure to operate the product correctly can result in damage to the product, personal property and cause serious injury.

This is a sophisticated hobby product. It must be operated with caution and common sense and requires some basic mechanical ability. Failure to operate this Product in a safe and responsible manner could result in injury or damage to the product or other property. This product is not intended for use by children without direct adult supervision. Do not use with incompatible components or alter this product in any way outside of the instructions provided by Horizon Hobby, LLC. This manual contains instructions for safety, operation and maintenance. It is essential to read and follow all the instructions and warnings in the manual, prior to assembly, setup or use, in order to operate correctly and avoid damage or serious injury.


**Age Recommendation: Not for children under 14 years. This is not a toy.**

## SAFETY PRECAUTIONS AND WARNINGS

As the user of this product, you are solely responsible for operating in a manner that does not endanger yourself and others or result in damage to the product or property of others.

This model is controlled by a radio signal subject to interference from many sources outside your control. This interference can cause momentary loss of control, so it is advisable to always keep a safe distance in all directions around your model as this margin will help avoid collisions or injury.

- Never operate your model with low transmitter batteries.
- Always operate your model in open spaces away from full-size vehicles, traffic and people.
- Never operate the model in the street or in populated areas for any reason.
- Carefully follow the directions and warnings for this and any optional support equipment (chargers, rechargeable battery packs, etc.) you use.
- Keep all chemicals, small parts and anything electrical out of the reach of children.
- Never lick or place any portion of the model in your mouth as it could cause serious injury or even death.
- Exercise caution when using tools and sharp instruments.
- Take care during maintenance as some parts may have sharp edges.
- Immediately after using your model, do NOT touch equipment such as the motor, electronic speed control and battery, because they generate high temperatures. You may burn yourself seriously touching them.
- Do not put fingers or any objects inside rotating and moving parts, as this may cause damage or serious injury.
- Always turn on your transmitter before you turn on the receiver in the car. Always turn off the receiver before turning your transmitter off.
- Keep the wheels of the model off the ground when checking the operation of the radio equipment.

 **WARNING AGAINST COUNTERFEIT PRODUCTS:** Always purchase from a Horizon Hobby, LLC authorized dealer to ensure authentic high-quality Spektrum product. Horizon Hobby, LLC disclaims all support and warranty with regards, but not limited to, compatibility and performance of counterfeit products or products claiming compatibility with DSM® or Spektrum technology.

## TABLE OF CONTENTS


Safety Precautions and Warnings .....	2	SPMXSE1025 ESC .....	11
Table of Contents .....	2	Troubleshooting.....	12
Water-resistant Vehicle with Waterproof Electronics .....	3	Limited Warranty.....	13
Charging Warnings.....	3	Warranty and Service Contact Information .....	13
box Contents .....	4	FCC Information.....	14
recommended tools.....	4	IC Information.....	14
Getting started checklist.....	4	Compliance Information for the European Union.....	14
Vehicle parts.....	7	Exploded Views.....	55
Install the vehicle battery.....	9	Parts Lists.....	58
Range-checking the radio system .....	10	Electronics .....	60
vehicle maintenance.....	10	Optional Parts.....	60
SR515 receiver .....	11		

## WATER-RESISTANT VEHICLE WITH WATERPROOF ELECTRONICS

Your new Horizon Hobby vehicle has been designed and built with a combination of waterproof and water-resistant components to allow you to operate the product in many “wet conditions,” including puddles, creeks, wet grass, snow and even rain.

While the entire vehicle is highly water-resistant, it is not completely waterproof and your vehicle should NOT be treated like a submarine. The various electronic components used in the vehicle, such as the Electronic Speed Control (ESC), servo(s) and receiver are waterproof, however, most of the mechanical components are water-resistant and should not be submerged.


Metal parts, including the bearings, hinge pins, screws and nuts, as well as the contacts in the electrical cables, will be susceptible to corrosion if additional maintenance is not performed after running in wet conditions. To maximize the long-term performance of your vehicle and to keep the warranty intact, the procedures described in the “Wet Conditions Maintenance” section below must be performed regularly if you choose to run in wet conditions. If you are not willing to perform the additional care and maintenance required, then you should not operate the vehicle in those conditions.

 **CAUTION:** Failure to exercise caution while using this product and complying with the following precautions could result in product malfunction and/or void the warranty.

### GENERAL PRECAUTIONS

- Read through the wet conditions maintenance procedures and make sure that you have all the tools you will need to properly maintain your vehicle.
- Not all batteries can be used in wet conditions. Consult the battery manufacturer before use. Caution should be taken when using Li-Po batteries in wet conditions.
- Most transmitters are not water-resistant. Consult your transmitter’s manual or the manufacturer before operation.
- Never operate your transmitter or vehicle where lightning may be present.
- Do not operate your vehicle where it could come in contact with salt water (ocean water or water on salt-covered roads), contaminated or polluted water. Salt water is very conductive and highly corrosive, so use caution.

## CHARGING WARNINGS

 **CAUTION:** All instructions and warnings must be followed exactly. Mishandling of Li-Po batteries can result in a fire, personal injury and/or property damage.

### NEVER LEAVE CHARGING BATTERIES UNATTENDED.

### NEVER CHARGE BATTERIES OVERNIGHT.

By handling, charging or using the included Li-Po battery, you assume all risks associated with lithium batteries.

If at any time the battery begins to balloon or swell, discontinue use immediately. If charging or discharging, discontinue and disconnect. Continuing to use, charge or discharge a battery that is ballooning or swelling can result in fire.

Always store the battery at room temperature in a dry area for best results.

Always transport or temporarily store the battery in a temperature range of 40–120° F (5–49° C).

Do not store battery or model in a car or direct sunlight. If stored in a hot car, the battery can be damaged or even catch fire.

- Even minimal water contact can reduce the life of your motor if it has not been certified as water-resistant or waterproof. If the motor becomes excessively wet, apply very light throttle until the water is mostly removed from the motor. Running a wet motor at high speeds may rapidly damage the motor.
- Driving in wet conditions can reduce the life of the motor. The additional resistance of operating in water causes excess strain. Alter the gear ratio by using a smaller pinion or larger spur gear. This will increase torque (and motor life) when running in mud, deeper puddles, or any wet conditions that will increase the load on the motor for an extended period of time.

### WET CONDITIONS MAINTENANCE

- Drain any water that has collected in the tires by spinning them at high speed. With the body removed, place the vehicle upside down and pull full throttle for a few short bursts until the water has been removed.

 **CAUTION:** Always keep hands, fingers, tools and any loose or hanging objects away from rotating parts when performing the above drying technique.

- Remove the battery pack(s) and dry the contacts. If you have an air compressor or a can of compressed air, blow out any water that may be inside the recessed connector housing.
- Remove the tires/wheels from the vehicle and gently rinse the mud and dirt off with a garden hose. Avoid rinsing the bearings and transmission.

**NOTICE:** Never use a pressure washer to clean your vehicle.

- Use an air compressor or a can of compressed air to dry the vehicle and help remove any water that may have gotten into small crevices or corners.
- Spray the bearings, drive train, fasteners and other metal parts with a water-displacing light oil. Do not spray the motor.
- Let the vehicle air dry before you store it. Water (and oil) may continue to drip for a few hours.
- Increase the frequency of disassembly, inspection and lubrication of the following:
  - Front and rear axle hub assembly bearings.
  - All transmission cases, gears and differentials.
  - Motor—clean with an aerosol motor cleaner and re-oil the bushings with lightweight motor oil.

Always charge batteries away from flammable materials.

Always inspect the battery before charging.

Always disconnect the battery after charging, and let the charger cool between charges.

Always constantly monitor the temperature of the battery pack while charging.

**ONLY USE A CHARGER SPECIFICALLY DESIGNED TO CHARGE LI-PO BATTERIES.** Failure to charge the battery with a compatible charger may cause a fire resulting in personal injury and/or property damage.

Never discharge Li-Po cells to below 3V under load.

Never cover warning labels with hook and loop strips.

Never charge batteries outside recommended levels.

Never charge damaged batteries.

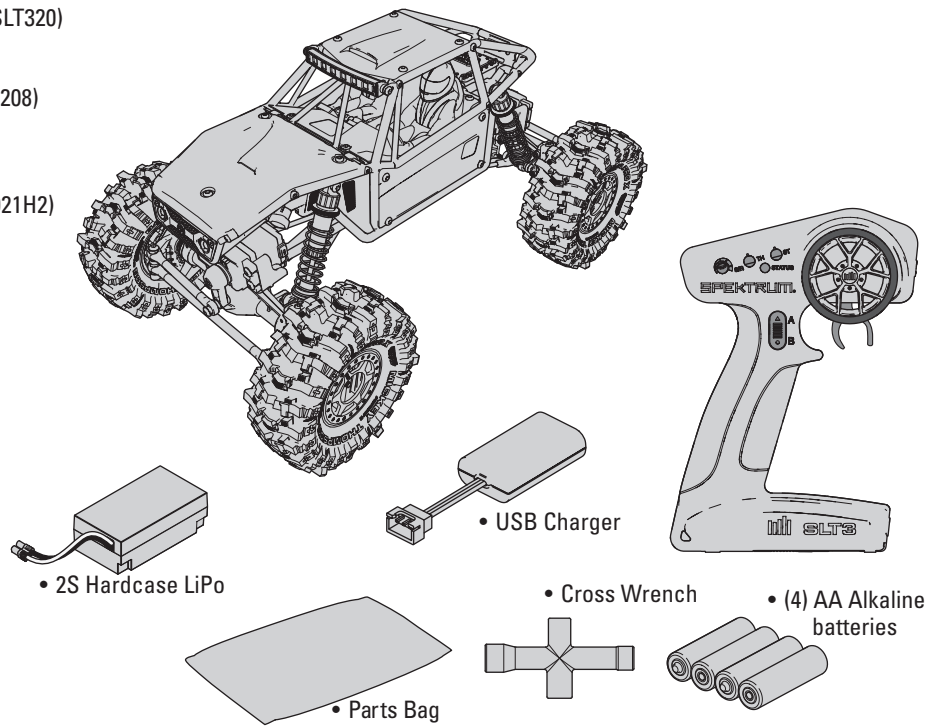
Never attempt to dismantle or alter the charger.

Never allow minors to charge battery packs.

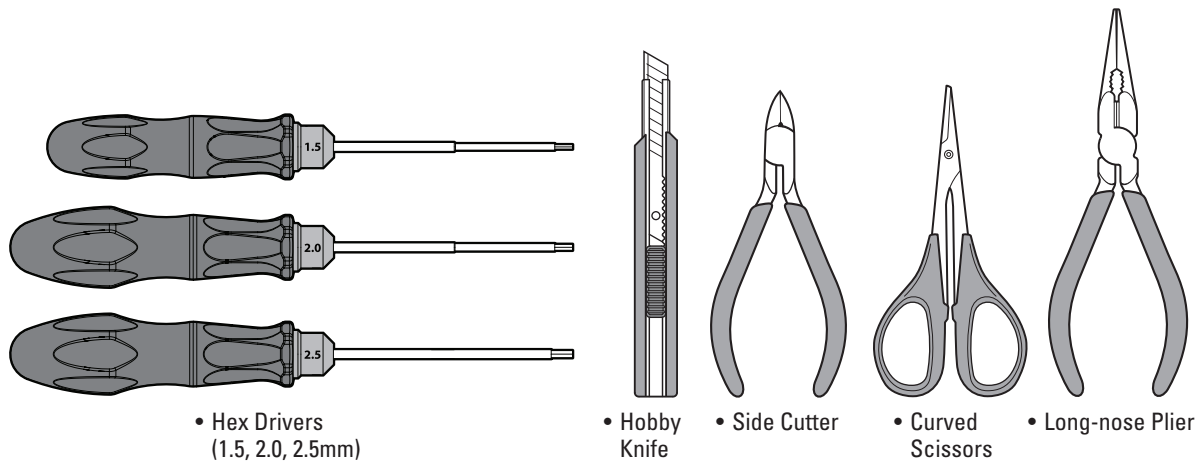
Never charge batteries in extremely hot or cold places (recommended between 40–120° F or [5–49° C]) or place in direct sunlight.

## BOX CONTENTS

- Spektrum™ SLT3 2.4 GHz 3 channel (SPMRSLT320)
  - (4) AA Alkaline batteries
- Capra™ 4WS UTB18 RTR
  - Tazer 37-Turn 380 Brushed Motor (DYNS1208)
  - SR515 DSMR Receiver (SPMSR515)
  - SPMXSE1025 Brushed ESC
  - (2) Servos (SPMS664)
  - 7.4V 650mAh 2S 20C LiPo, Hard (DYNB65021H2)
- USB-C LiPo Charger (SPMXC0040)



## RECOMMENDED TOOLS



## GETTING STARTED CHECKLIST

Read the manual
Familiarize yourself with the vehicle and its components
Check all screws, especially the driveshaft setscrews, for tightness from the factory
Charge the vehicle battery
Install 4 AA batteries in the transmitter

Power on the transmitter
Install the vehicle battery in the vehicle
Check for proper function of the throttle and steering
Range check the radio system
Drive the vehicle, challenge yourself and have FUN!
Perform any necessary vehicle maintenance

## USB CHARGING WARNINGS

**WARNING:** Failure to exercise caution while using this product and comply with the following warnings could result in product malfunction, electrical issues, excessive heat, FIRE, and ultimately injury and property damage.

• **NEVER LEAVE CHARGING BATTERIES UNATTENDED.**  
 • **NEVER CHARGE BATTERIES OVERNIGHT.**

- Never attempt to charge dead, damaged or wet battery packs.
- Never attempt to charge a battery pack containing different types of batteries.
- Never allow children under 14 years of age to charge battery packs.
- Never charge batteries in extremely hot or cold places or place in direct sunlight.
- Never charge a battery if the cable has been pinched or shorted.
- Never connect the charger if the power cable has been pinched or shorted.
- Never attempt to dismantle the charger or use a damaged charger.
- Always use only rechargeable batteries designed for use with this type of charger.
- Always inspect the battery before charging.
- Always keep the battery away from any material that could be affected by heat.
- Always monitor the charging area and have a fire extinguisher available at all times.
- Always end the charging process if the battery becomes hot to the touch or starts to change form (swell) during the charge process.
- Always connect the positive leads (+) and negative leads (–) correctly.
- Always disconnect the battery after charging, and let the charger cool between charges.
- Always charge in a well-ventilated area.
- Always terminate all processes and contact Horizon Hobby if the product malfunctions.
- Charge only rechargeable batteries. Charging non-rechargeable batteries may cause the batteries to burst, resulting in injury to persons and/or damage to property.
- The USB outlet shall be installed near the equipment and shall be easily accessible.

**CAUTION:** Always ensure the battery you are charging meets the specifications of this charger. Not doing so can result in excessive heat and other related product malfunctions, which can lead to user injury or property damage. Please contact Horizon Hobby or an authorized retailer with compatibility questions.

**CAUTION:** If at any time during the charge process the battery pack becomes hot or begins to puff, disconnect the battery immediately and discontinue the charge process as batteries can cause fire, collateral damage and injuries.

## CHARGE THE VEHICLE BATTERY

Use only the included USB charger to charge the battery.

1. Connect the charger to a suitable USB power port. The charger will work with most 5V mobile power sources or smartphone chargers with at least 1 amp of power output.

**NOTICE:** Charging the battery with a USB power port with less than 1 amp of power output can produce heat.

2. Connect the charge lead to the battery, noting correct polarity. Charging a fully discharged battery takes approximately 45–60 minutes. Charge times may vary depending on the power source.
3. Remove the battery from the charger when the charging cycle is complete.
4. Remove the charger from the power supply.

**CAUTION:** Once charging is complete, immediately remove the battery.  
 Never leave a battery connected to the charger.

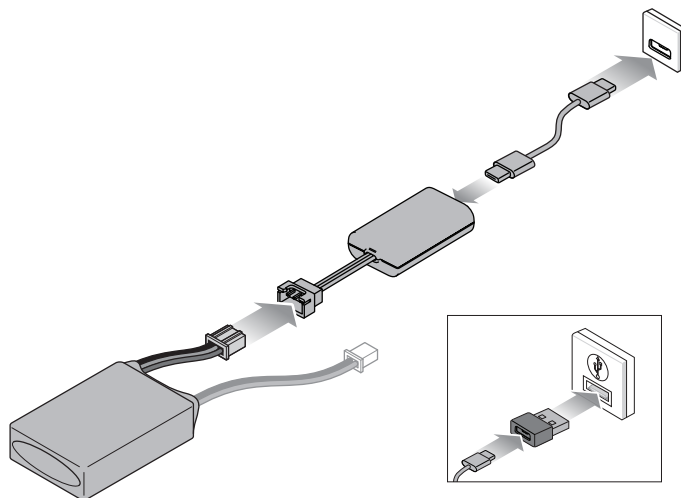
### CHARGER LED INDICATIONS

**RED, solid** = Charging error: ensure battery is healthy and properly connected to the charger

**ORANGE, solid** = Charging in progress

**GREEN, solid** = Charging complete

**ORANGE/GREEN, flashing** = Charger is ready to charge



## TRANSMITTER FUNCTIONS

### Specifications

**Power Supply:** 4 AA Batteries

**Operating Frequency:** 2.4GHz

**Transmit Power:** <100mw

**Control Protocol:** SLT

**Control:** Proportional Steering and Throttle/Reverse with Trim Knobs, Third Channel with Three Position Switch.

**Auxiliary Functions:** Three Position Throttle Limit Switch, Steering Rate Knob to Change Steering Travel on-the-fly, Programmable Servo Travel for Steering and Throttle/Reverse.

#### A. Throttle Trim

Adjusts the throttle neutral point.

#### B. Steering Trim

Adjusts the front steering center point. Normally, the steering trim is adjusted until the vehicle tracks straight.

#### C. LED

- Solid red lights: Indicates the power is ON and adequate battery power.
- Flashing red lights: Indicates the battery voltage is critically low. Replace batteries.

#### D. Steering Wheel

#### E. Throttle/Reverse

#### F. Steering Rate

On-The-Fly knob for travel adjustment on the steering.

#### G. Steering Mode

3 position switch.

#### H. Throttle Limit

Limits throttle output to 50/75/100%

Select 50% or 75% for less experienced drivers or when you are driving the vehicle in a small area.

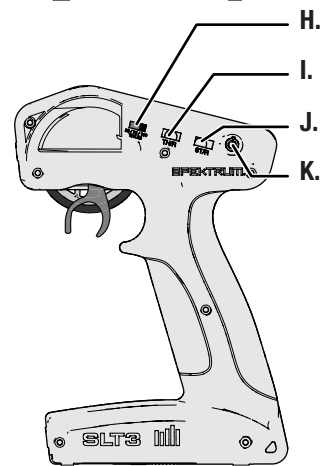
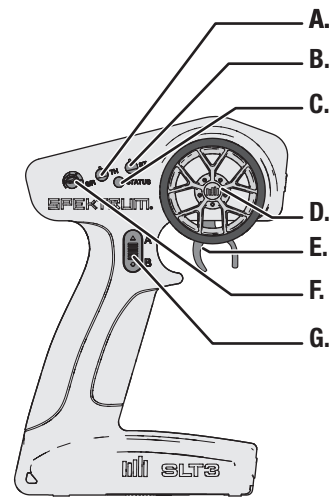
#### I. Throttle (TH) Servo Reversing

Move the switch to reverse the throttle channel.

#### J. Steering (ST) Servo Reversing

Move the switch to reverse the steering channel.

#### K. Power Button

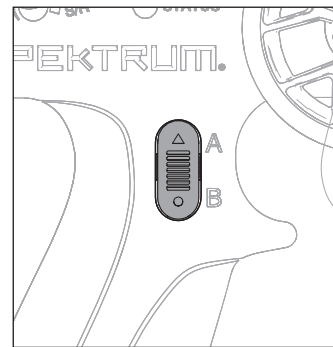


## REAR STEERING MODES

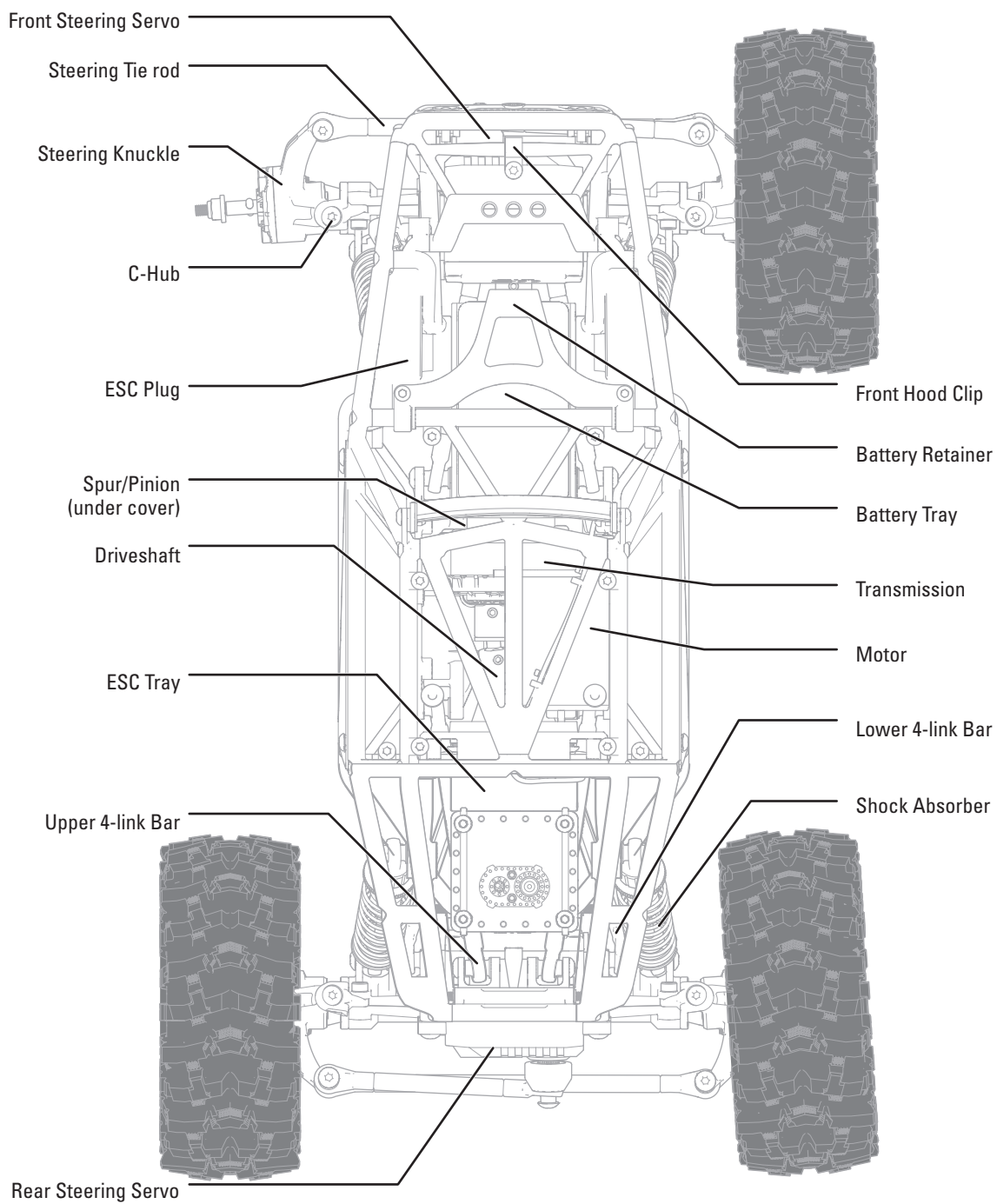
The Capra 4WS features both front and rear steering. There are three steering modes to manage how the rear steering responds to the steering wheel. The steering mode is selected from the transmitter with the three position switch.

**IMPORTANT:** Steering trim only affects the front wheels.

- In all modes the front wheels operate normally.
- Up is crab mode where the rear wheels steer the same direction as the front so the entire vehicle can crab sideways.
- Down is mirror mode where the rear wheels steer opposite the front wheels to tighten the turning radius.
- Center is front steer only mode, where the rear wheels do not steer.
- Press up or down on the three position switch to change from front steer only.
- When changing from one of the dual steering modes, you must first toggle back to front steer only.



**VEHICLE PARTS**



## SERVO TRAVEL

The servo travel on the Steering and Throttle channels can be adjusted through a special programming mode in the transmitter.

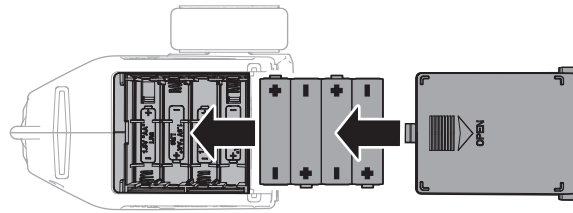
1. Begin with the transmitter binding process to the receiver complete. Power ON the receiver.
2. Hold full right and full brake while powering the transmitter ON to put the transmitter into programming mode.  
The LED on the transmitter will flash 4 times to indicate it is in programming mode.
3. Turn and hold the wheel full left to set the travel limit for that direction. Press the A button to increase travel, press the B button to reduce travel. The LED will flash once with every change. Return the wheel to center to set the travel value.
4. Turn the wheel to the right and repeat the process to set the steering travel to the right.
5. For electric vehicles, power the Transmitter OFF to save the settings. Calibrate your ESC to the default throttle travel.
6. For fuel powered vehicles, set the throttle travel without the engine running; After setting steering travel, you can set throttle travel with the same process. Pull and hold full throttle, adjust travel with the A and B buttons, return to center to set the value.
7. Push full brake, adjust travel with the A and B buttons, return to center.
8. Power the transmitter OFF to save the values.

**IMPORTANT:** If the value has reached the maximum or minimum that can be accepted, the LED will not flash with further input.

4. Turn the wheel to the right and repeat the process to set the steering travel to the right.
5. For electric vehicles, power the Transmitter OFF to save the settings. Calibrate your ESC to the default throttle travel.

## INSTALL THE TRANSMITTER BATTERIES

1. Press the battery compartment latch and rotate the batter cover to open.
2. Install 4 AA alkaline batteries (or Ni-Cd or Ni-MH), verifying correct polarity.
3. Close the battery cover until it latches.



**CAUTION:** NEVER remove the transmitter batteries while the vehicle is powered ON. Loss of vehicle control, damage, or injury may occur.



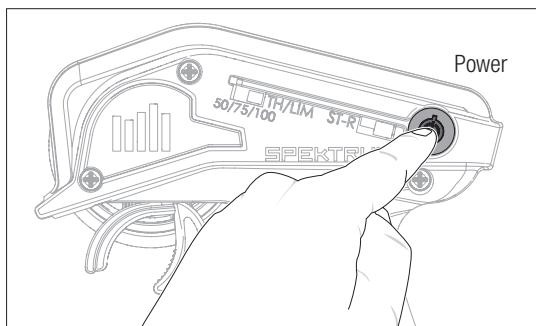
**CAUTION:** If using rechargeable batteries, charge only rechargeable batteries. Charging non-rechargeable batteries may cause the batteries to burst, resulting in injury or property damage.



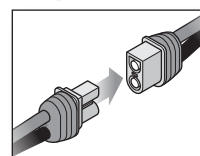
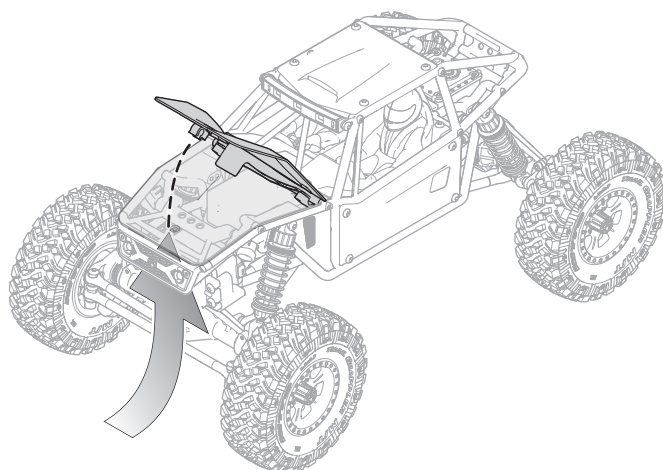
**CAUTION:** Risk of explosion if battery is replaced by an incorrect type. Dispose of used batteries according to state and local laws.



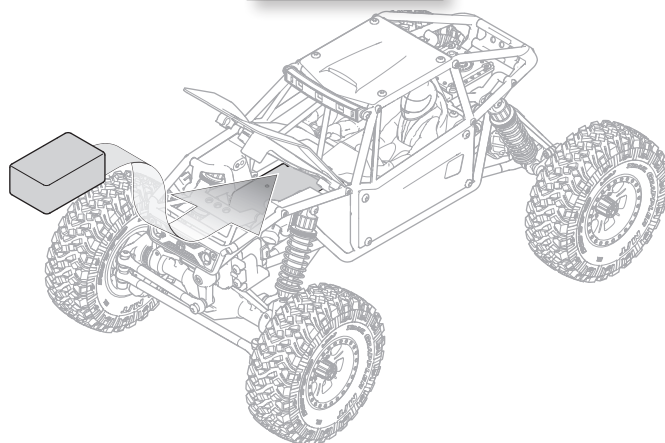
## INSTALL THE VEHICLE BATTERY



1. Power on the transmitter.
2. Press up on the hood from behind the front bumper to release the hood latch. Raise the hood.
3. Connect the battery to the ESC.

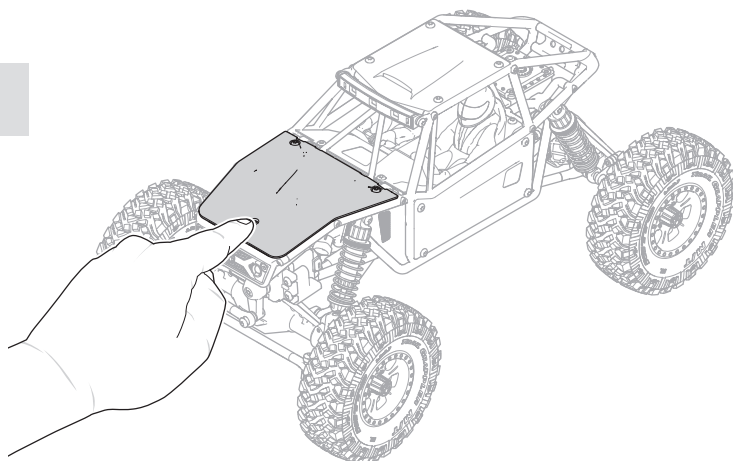


4. Place the battery in the battery tray.



5. Close the hood and press down on the center to latch it to the chassis. The battery is secured in place by the hood.

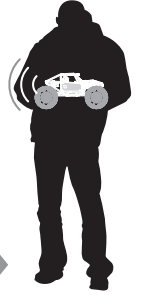
**NOTICE:** Always disconnect the battery from the ESC before powering off the transmitter. Loss of vehicle control may result.



## RANGE-CHECKING THE RADIO SYSTEM

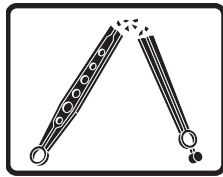
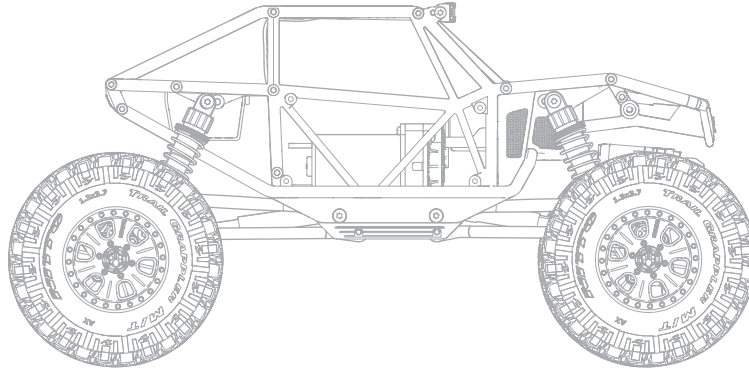
The radio system should be checked before operating the vehicle to ensure proper operation and adequate range.

1. Turn on the transmitter.
2. Connect the battery in the vehicle.
3. Have a friend hold the vehicle while keeping hands and loose clothing away from moving parts.
4. Walk away until you are at the maximum planned operating distance from the vehicle.
5. Turn the steering wheel side to side and operate the throttle, both forward and reverse, checking for any erratic behavior.
6. If any erratic behavior is exhibited, DO NOT operate the vehicle. Call customer service for assistance.

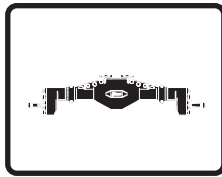


## VEHICLE MAINTENANCE

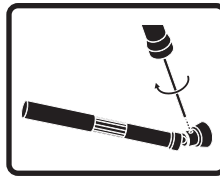
Just like a full size car or truck your RC vehicle must undergo periodic maintenance in order to ensure peak performance. Preventative maintenance will also help avoid needless breakages which could result in costly repairs. Below are some suggestions to properly maintain your vehicle.



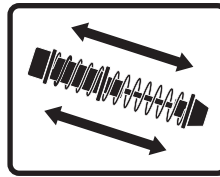
Replace any noticeable bent or broken parts



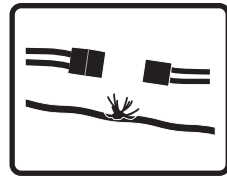
Check for wear on the ball joints in the steering and suspension links (replace if necessary)



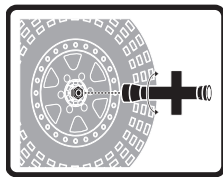
Check driveshaft set screws and apply thread locking compound if necessary



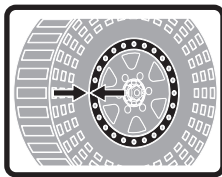
Inspect shock absorbers for smooth dampened operation



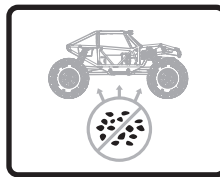
Check for any loose connections or frayed wiring



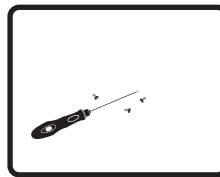
Check the wheel nuts for tightness



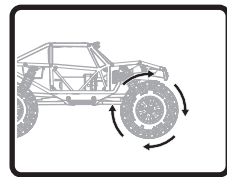
Ensure the wheel beads are still firmly bonded around the entire circumference of the rim



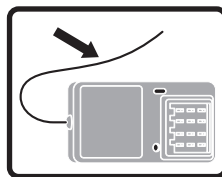
Keep the chassis free of dirt and debris



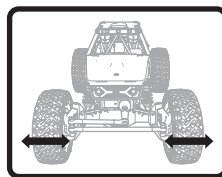
Check for loose screws on the chassis, especially the knuckle, C-hub and axle lockout screws



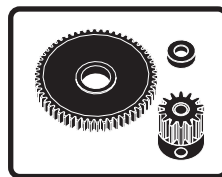
Check the driveline for smooth, bind free operation



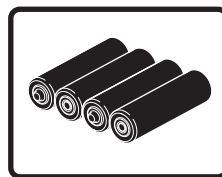
Check the receiver antenna for damage



Check the steering operation for any binding



Inspect the spur and pinion gears for damage



Replace the transmitter batteries when indicated by the transmitter, as described in the Transmitter Functions section

## SR515 RECEIVER

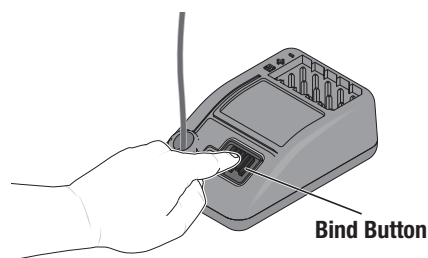
### BINDING

Binding is the process of electronically linking the transmitter to the receiver. The included transmitter and receiver are bound at the factory. If rebinding is necessary, follow these steps:

**NOTICE:** Always keep all body parts, loose clothing and other items away from the propellers.

**IMPORTANT:** If using a different receiver/radio system, follow the binding instructions included with that receiver.

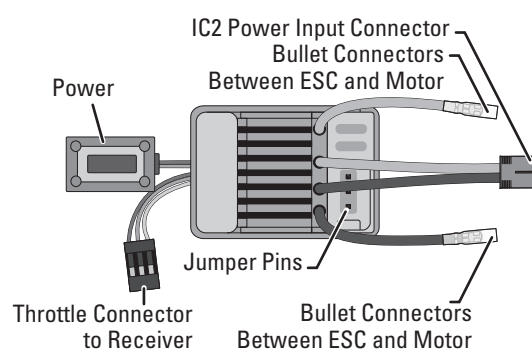
1. Power ON the receiver, press the bind button three times quickly (within 1.5 seconds). The orange LED will begin to flash with a pause.
2. Set the trims and control positions at the desired failsafe settings, and power ON the SLT3 transmitter.
3. When the orange LED on the SLT3 transmitter remains lit, it is connected to SR515 receiver.



## SPMXSE1025 ESC

Type	Brushed
Constant/Peak	25A/100A
Function	Forward/Reverse
Vehicle Type	1/18 Scale Crawler
Optional Features	Battery chemistry adjusted by jumper
Battery Type/ Input Voltage	2-3S Li-Po or 5-9 Ni-MH
Recommended Motor Type	270-380 Size Brushed Motor
BEC Output	6V/4A (Switch Mode)
Dimensions	34mm x 24mm x 14mm
Weight	28g
Battery Connector	IC2™ Connector
Motor Connector	4mm Female Motor Bullets

### WIRING DIAGRAM



### ESC AND TRANSMITTER CALIBRATION

When using a new ESC it is important to calibrate it so the ESC matches the throttle range on your transmitter. If you install a new radio system or make changes to the throttle/brake values in your transmitter, you must redo the ESC Calibration Process. Failure to calibrate the ESC to your radio system will result in the ESC not working correctly.

1. Power ON the transmitter. Verify the throttle limit switch on the transmitter is set to 100%.
2. Connect a battery to the ESC.
3. With the throttle trigger in neutral, power ON the ESC. Wait 3 seconds. The ESC completes throttle detection.

### LED INDICATOR

Upon powering on the ESC, the LED will blink to indicate its status.

During Operation	LED Status
Throttle Neutral	OFF
Forward Partial Throttle	Rapid Flash
Full Throttle	Solid
Reverse Partial Throttle	Rapid Flash
Full Reverse	Solid
Battery Low Voltage	Rapid Flash
Overheat	Rapid Flash

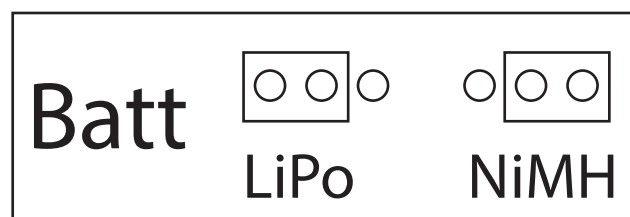
**NOTICE:** Always disconnect the battery from the ESC when you have finished operating your vehicle. If you leave the battery connected with the power switch in the OFF position, the ESC will continue to draw current when connected to the battery, resulting in possible damage to the battery through over-discharge.

**NOTICE:** Do not connect a dedicated receiver battery to the servo or programming ports. When the ESC/Receiver is turned On it will provide the servo ports with 6V regulated power from the main battery. If a dedicated receiver battery is connected to the servo ports, the ESC/receiver may be damaged.

### JUMPER SELECTION

The ESC in this vehicle uses a jumper to set battery type. Set to the LiPo Type for the included battery.

- If you want set the battery type to LiPo mode, plug the jumper into left two pins of the Batt pin header. LiPo is the default mode.
- If you want to set the battery type to NiMH mode, plug the jumper into the right two pins of the Batt pin header.



## TROUBLESHOOTING

PROBLEM	POSSIBLE CAUSE	SOLUTION
The system will not connect	Your transmitter and receiver are too close together	Move transmitter 8 to 12 feet away from receiver
	You are near metal objects	Move to an area with less metal
	The receiver is bound to a different model memory	Make sure the correct model memory is active in your transmitter
	Your transmitter was placed into bind mode and is no longer bound to your receiver	Rebind your transmitter and receiver, and then re-calibrate
The receiver goes into failsafe a short distance away from the transmitter	Check for damage on the receiver antenna	Make sure your receiver antenna is protected and located as high as practical Replace the receiver or contact Horizon Product Support
	Low receiver battery voltage. If the battery voltage is low, it may drop below 3.5V momentarily, causing the receiver to brown-out, then reconnect	Charge the receiver or vehicle battery. Spektrum receivers require at least 3.5V to operate
The receiver stops responding during operation	Loose or damaged wires or connectors between battery and receiver	Check the wires and connection between the battery and receiver. Repair or replace wires and/or connectors
	Batteries are not installed properly in the transmitter	Ensure the transmitter batteries are properly installed
Vehicle does not move	Weak or no battery in the vehicle	Install a freshly charged vehicle battery
	Damaged motor	Replace the motor
	Frayed or broken wiring	Replace any damaged wiring
	ESC is shut down by heat protection circuit	Allow the ESC to cool down completely
Loss of vehicle control	Improper antenna placement	Ensure the transmitter antenna is not blocked and the receiver antenna is located properly
	Weak or no batteries in the transmitter or vehicle	Install a freshly charged vehicle battery and new transmitter batteries
	Neutral or trim position is incorrect	Adjust the steering trim
	Receiver and/or battery not connected properly	Check all receiver and battery connections
Steering and/or throttle function is reversed	Servo travel is reversed at the transmitter	Set the transmitter servo reversing switch to the correct position
	Motor wires are not connected properly	Check all motor wires for correct polarity and secure connection
ESC ON - No motor function, audible tone or LED	Battery/connection issue	Recharge/replace battery. Secure all connections
	Damaged ESC	Repair/replace ESC
	Damaged motor	Repair/replace
Motor- Stops and LED blinks	Low voltage protection	When the ESC LED blinks, recharge/replace battery
	Overheat protection	When the LED blinks, let motor/ESC cool, change set up or gearing to avoid overheating
Motor- Accelerates irregularly	Battery issue	Repair damaged wiring/replace battery
	Incorrect gearing	Adjust/replace gearing
	Worn or damaged motor	Repair/replace motor
Motor- Does not turn continuously in response to throttle	ESC/motor damaged	Repair/replace wiring or motor/ESC
Motor- Slows but will not stop	Incorrect transmitter/ESC calibration	Adjust throttle travel/other throttle settings on the transmitter/ESC. Repeat the ESC Calibration Procedure
Steering servo- Operates; motor does not run	Damaged motor	Test the motor apart from the vehicle system, repair/replace motor as needed
	Incorrect transmitter/ESC calibration	Adjust throttle travel/other throttle settings on the transmitter/ESC. Repeat the ESC Calibration Procedure
Steering/motor- not functioning	Low battery voltage	Recharge/replace
	Wrong model memory selected on transmitter	Select correct model settings on your transmitter, refer to transmitter and/or receiver manual
	Receiver not bound to transmitter	Bind transmitter to receiver, refer to transmitter and/or receiver manual
Vehicle- Does not operate at full speed	Battery issue	Recharge/replace
	Incorrect transmitter/ESC calibration	Adjust throttle travel/other throttle settings on the transmitter/ESC. Repeat the ESC Calibration Procedure

## LIMITED WARRANTY

### What this Warranty Covers

Horizon Hobby, LLC, (Horizon) warrants to the original purchaser that the product purchased (the "Product") will be free from defects in materials and workmanship for a period of 2 years from the date of purchase.

### What is Not Covered

This warranty is not transferable and does not cover (i) cosmetic damage, (ii) damage due to acts of God, accident, misuse, abuse, negligence, commercial use, or due to improper use, installation, operation or maintenance, (iii) modification of or to any part of the Product, (iv) attempted service by anyone other than a Horizon Hobby authorized service center, (v) Product not purchased from an authorized Horizon dealer, or (vi) Product not compliant with applicable technical regulations or (vii) use that violates any applicable laws, rules, or regulations.

OTHER THAN THE EXPRESS WARRANTY ABOVE, HORIZON MAKES NO OTHER WARRANTY OR REPRESENTATION, AND HEREBY DISCLAIMS ANY AND ALL IMPLIED WARRANTIES, INCLUDING, WITHOUT LIMITATION, THE IMPLIED WARRANTIES OF NON-INFRINGEMENT, MERCHANTABILITY AND FITNESS FOR A PARTICULAR PURPOSE. THE PURCHASER ACKNOWLEDGES THAT THEY ALONE HAVE DETERMINED THAT THE PRODUCT WILL SUITABLY MEET THE REQUIREMENTS OF THE PURCHASER'S INTENDED USE.

### Purchaser's Remedy

Horizon's sole obligation and purchaser's sole and exclusive remedy shall be that Horizon will, at its option, either (i) service, or (ii) replace, any Product determined by Horizon to be defective. Horizon reserves the right to inspect any and all Product(s) involved in a warranty claim. Service or replacement decisions are at the sole discretion of Horizon. Proof of purchase is required for all warranty claims. SERVICE OR REPLACEMENT AS PROVIDED UNDER THIS WARRANTY IS THE PURCHASER'S SOLE AND EXCLUSIVE REMEDY.

### Limitation of Liability

HORIZON SHALL NOT BE LIABLE FOR SPECIAL, INDIRECT, INCIDENTAL OR CONSEQUENTIAL DAMAGES, LOSS OF PROFITS OR PRODUCTION OR COMMERCIAL LOSS IN ANY WAY, REGARDLESS OF WHETHER SUCH CLAIM IS BASED IN CONTRACT, WARRANTY, TORT, NEGLIGENCE, STRICT LIABILITY OR ANY OTHER THEORY OF LIABILITY, EVEN IF HORIZON HAS BEEN ADVISED OF THE POSSIBILITY OF SUCH DAMAGES. Further, in no event shall the liability of Horizon exceed the individual price of the Product on which liability is asserted. As Horizon has no control over use, setup, final assembly, modification or misuse, no liability shall be assumed nor accepted for any resulting damage or injury. By the act of use, setup or assembly, the user accepts all resulting liability. If you as the purchaser or user are not prepared to accept the liability associated with the use of the Product, purchaser is advised to return the Product immediately in new and unused condition to the place of purchase.

### Law

These terms are governed by Illinois law (without regard to conflict of law principals). This warranty gives you specific legal rights, and you may also have other rights which vary from state to state. Horizon reserves the right to change or modify this warranty at any time without notice.

### WARRANTY SERVICES

#### Questions, Assistance, and Services

Your local hobby store and/or place of purchase cannot provide warranty support or service. Once assembly, setup or use of the Product has been started, you must contact your local distributor or Horizon directly. This will enable Horizon to better answer your questions and service you in the event that you may need any assistance. For questions

or assistance, please visit our website at [www.horizonhobby.com](http://www.horizonhobby.com), submit a Product Support Inquiry, or call the toll free telephone number referenced in the Warranty and Service Contact Information section to speak with a Product Support representative.

### Inspection or Services

If this Product needs to be inspected or serviced and is compliant in the country you live and use the Product in, please use the Horizon Online Service Request submission process found on our website or call Horizon to obtain a Return Merchandise Authorization (RMA) number. Pack the Product securely using a shipping carton. Please note that original boxes may be included, but are not designed to withstand the rigors of shipping without additional protection. Ship via a carrier that provides tracking and insurance for lost or damaged parcels, as Horizon is not responsible for merchandise until it arrives and is accepted at our facility. An Online Service Request is available at [http://www.horizonhobby.com/content/service-center\\_render-service-center](http://www.horizonhobby.com/content/service-center_render-service-center). If you do not have internet access, please contact Horizon Product Support to obtain a RMA number along with instructions for submitting your product for service. When calling Horizon, you will be asked to provide your complete name, street address, email address and phone number where you can be reached during business hours. When sending product into Horizon, please include your RMA number, a list of the included items, and a brief summary of the problem. A copy of your original sales receipt must be included for warranty consideration. Be sure your name, address, and RMA number are clearly written on the outside of the shipping carton.

**NOTICE:** Do not ship Li-Po batteries to Horizon. If you have any issue with a Li-Po battery, please contact the appropriate Horizon Product Support office.

### Warranty Requirements

For Warranty consideration, you must include your original sales receipt verifying the proof-of-purchase date. Provided warranty conditions have been met, your Product will be serviced or replaced free of charge. Service or replacement decisions are at the sole discretion of Horizon.

### Non-Warranty Service

Should your service not be covered by warranty, service will be completed and payment will be required without notification or estimate of the expense unless the expense exceeds 50% of the retail purchase cost. By submitting the item for service you are agreeing to payment of the service without notification. Service estimates are available upon request. You must include this request with your item submitted for service. Non-warranty service estimates will be billed a minimum of 1/2 hour of labor. In addition you will be billed for return freight. Horizon accepts money orders and cashier's checks, as well as Visa, MasterCard, American Express, and Discover cards. By submitting any item to Horizon for service, you are agreeing to Horizon's Terms and Conditions found on our website [http://www.horizonhobby.com/content/service-center\\_render-service-center](http://www.horizonhobby.com/content/service-center_render-service-center).

**ATTENTION:** Horizon service is limited to Product compliant in the country of use and ownership. If received, a non-compliant Product will not be serviced. Further, the sender will be responsible for arranging return shipment of the un-serviced Product, through a carrier of the sender's choice and at the sender's expense. Horizon will hold non-compliant Product for a period of 60 days from notification, after which it will be discarded.

10/15

## WARRANTY AND SERVICE CONTACT INFORMATION

COUNTRY OF PURCHASE	HORIZON HOBBY	CONTACT INFORMATION	ADDRESS
United States of America	Horizon Service Center (Repairs and Repair Requests)	<a href="http://servicecenter.horizonhobby.com/RequestForm/">servicecenter.horizonhobby.com/RequestForm/</a>	2904 Research Rd Champaign, IL 61822
	Horizon Product Support (Product Technical Assistance)	<a href="mailto:productsupport@horizonhobby.com">productsupport@horizonhobby.com</a> 877-504-0233	
	Sales	<a href="mailto:websales@horizonhobby.com">websales@horizonhobby.com</a> 800-338-4639	
European Union	Horizon Technischer Service Sales: Horizon Hobby GmbH	<a href="mailto:service@horizonhobby.eu">service@horizonhobby.eu</a> +49 (0) 4121 2655 100	Hanskampring 9 D 22885 Barsbüttel, Germany

## FCC INFORMATION

**TRANSMITTER FCC ID: BRWSPMSLT300**

**VEHICLE FCC ID: CONTAINS BRWSRIRVING1**

**SUPPLIER'S DECLARATION OF CONFORMITY**

**Axial Capra UTB18. SLT2 4WD RTR (AXI-1750)**



This device complies with part 15 of the FCC Rules. Operation is subject to the following two conditions: (1) This device may not cause harmful interference, and (2) this device must accept any interference received, including interference that may cause undesired operation.



**CAUTION:** changes or modifications not expressly approved by the party responsible for compliance could void the user's authority to operate the equipment.

**NOTE:** This equipment has been tested and found to comply with the limits for a Class B digital device, pursuant to part 15 of the FCC Rules. These limits are designed to provide reasonable protection against harmful interference in a residential installation. This equipment generates, uses and can radiate radio frequency energy and, if not installed and used in accordance with the instructions, may cause harmful interference to radio communications. However, there is no

guarantee that interference will not occur in a particular installation. If this equipment does cause harmful interference to radio or television reception, which can be determined by turning the equipment off and on, the user is encouraged to try to correct the interference by one or more of the following measures:

- Reorient or relocate the receiving antenna.
- Increase the separation between the equipment and receiver.
- Connect the equipment into an outlet on a circuit different from that to which the receiver is connected.
- Consult the dealer or an experienced radio/TV technician for help.

Horizon Hobby, LLC

2904 Research Rd.,

Champaign, IL 61822

Email: [compliance@horizonhobby.com](mailto:compliance@horizonhobby.com)

Web: [HorizonHobby.com](http://HorizonHobby.com)

## IC INFORMATION

**CAN ICES-3 (B)/NMB-3(B)**

**TRANSMITTER IC ID: 6157A-SPMSLT300**

**VEHICLE IC ID: 6157A-SRIRVINGV1**

This device contains license-exempt transmitter(s)/receiver(s) that comply with Innovation, Science, and Economic Development Canada's license-exempt RSS(s). Operation is subject to the following 2 conditions:

1. This device may not cause interference.
2. This device must accept any interference, including interference that may cause undesired operation of the device.

## COMPLIANCE INFORMATION FOR THE EUROPEAN UNION



**EU COMPLIANCE STATEMENT:**

**Axial Capra UTB18. SLT2 4WD RTR (AXI-1750)**

Hereby, Horizon Hobby, LLC declares that the device is in compliance with the following: Low Voltage Directive (LVD) 2014/35/EU, 2014/30/EU EMC Directive, EU Radio Equipment Directive 2014/53/EU; RoHS 2 Directive 2011/65/EU; RoHS 3 Directive - Amending 2011/65/EU Annex II 2015/863.

The full text of the EU declaration of conformity is available at the following internet address: <https://www.horizonhobby.com/content/support-render-compliance>.

**Wireless Frequency Range and Wireless Output Power**

**Transmitter**

2403MHz—2480MHz

16.3dB

**Receiver:**

2404-2476MHz

-1.33 dBm

**EU Manufacturer of Record:**

Horizon Hobby, LLC

2904 Research Road

Champaign, IL 61822 USA

**EU Importer of Record:**

Horizon Hobby, GmbH

Hanskampring 9

22885 Barsbüttel Germany

**WEEE NOTICE:**



This appliance is labeled in accordance with European Directive 2012/19/EU concerning waste of electrical and electronic equipment (WEEE). This label indicates that this product should not be disposed of with household waste. It should be deposited at an appropriate facility to enable recovery and recycling.



**E328**

## HINWIES

Allen Anweisungen, Garantien und anderen zugehörigen Dokumenten sind Änderungen nach Ermessen von Horizon Hobby, LLC vorbehalten. Aktuelle Produktliteratur finden Sie unter [www.horizonhobby.com](http://www.horizonhobby.com) oder [www.towerhobbies.com](http://www.towerhobbies.com) im Support-Abschnitt für das Produkt.


## ERKLÄRUNG DER BEGRIFFE

Die folgenden Begriffe werden in der gesamten Produktliteratur verwendet, um auf unterschiedlich hohe Gefahrenrisiken beim Betrieb dieses Produkts hinzuweisen:

**WARNUNG:** Wenn diese Verfahren nicht korrekt befolgt werden, ergeben sich wahrscheinlich Sachschäden, Kollateralschäden und schwere Verletzungen ODER mit hoher Wahrscheinlichkeit oberflächliche Verletzungen.

**ACHTUNG:** Wenn diese Verfahren nicht korrekt befolgt werden, ergeben sich wahrscheinlich Sachschäden UND die Gefahr von schweren Verletzungen.

**HINWEIS:** Wenn diese Verfahren nicht korrekt befolgt werden, können sich möglicherweise Sachschäden UND geringe oder keine Gefahr von Verletzungen ergeben.

 **WARNUNG:** Lesen Sie die GESAMTE Bedienungsanleitung, um sich vor dem Betrieb mit den Produktfunktionen vertraut zu machen. Wird das Produkt nicht korrekt betrieben, kann dies zu Schäden am Produkt oder persönlichem Eigentum führen oder schwere Verletzungen verursachen.

Dies ist ein hochentwickeltes Hobby-Produkt. Es muss mit Vorsicht und gesundem Menschenverstand betrieben werden und benötigt gewisse mechanische Grundfähigkeiten. Wird dieses Produkt nicht auf eine sichere und verantwortungsvolle Weise betrieben, kann dies zu Verletzungen oder Schäden am Produkt oder anderen Sachwerten führen. Versuchen Sie nicht ohne Genehmigung durch Horizon Hobby, LLC, das Produkt zu zerlegen, es mit inkompatiblen Komponenten zu verwenden oder auf jegliche Weise zu erweitern. Diese Bedienungsanleitung enthält Anweisungen für Sicherheit, Betrieb und Wartung. Es ist unbedingt notwendig, vor Zusammenbau, Einrichtung oder Verwendung alle Anweisungen und Warnhinweise im Handbuch zu lesen und zu befolgen, damit es bestimmungsgemäß betrieben werden kann und Schäden oder schwere Verletzungen vermieden werden.


**Nicht geeignet für Kinder unter 14 Jahren. Dies ist kein Spielzeug.**

## SICHERHEITSHINWEISE UND WARNUNGEN

Als Nutzer dieses Produktes, sind Sie allein verantwortlich, es in einer Art und Weise zu benutzen, die eine eigene Gefährdung und die anderer oder Beschädigung an anderem Eigentum ausschließt.

Das Modell ist ferngesteuert und anfällig für bestimmte äußere Einflüsse. Diese Einflüsse können zum vorübergehenden Verlust der Steuerfähigkeit führen, so dass es immer sinnvoll ist genügend Sicherheitsabstand in alle Richtungen um das Modell zu haben.

- Fahren Sie das Modell nie mit fast leeren oder schwachen Senderbatterien.
- Betreiben Sie Ihr Modell stets auf offenen Geländen, weit ab von Automobilen, Verkehr und Menschen.
- Fahren Sie Ihr Modell nicht auf der Straße oder belebten Plätzen.
- Beachten Sie vorsichtig alle Hinweise und Warnungen für das Modell und allen dazu gehörigen Equipment.
- Halten Sie alle Chemikalien, Kleinteile und elektrische Bauteile aus der Reichweite von Kindern.
- Lecken Sie niemals an Teilen von Ihrem Modell oder nehmen diese in den Mund, da diese Sie ernsthaft verletzen oder töten können.
- Seien Sie immer aufmerksam wenn Sie Werkzeug oder scharfe Instrumente verwenden.
- Seien Sie bei dem Bau vorsichtig, da einige Teile scharfe Kanten haben könnten.
- Fassen Sie bitte unmittelbar nach dem Betrieb nicht den Motor, Regler oder Akku an, da diese Teile sich sehr erwärmen können und Sie sich bei dem berühren ernsthaft verbrennen können.
- Fassen Sie nicht in drehende oder sich bewegende Teile, da sich sich ernsthaft dabei verletzen können.
- Schalten Sie immer zuerst den Sender ein, bevor Sie den Empfänger im Fahrzeug einschalten.
- Stellen Sie das Fahrzeug mit den Rädern nicht auf den Boden, wenn Sie die Funktionen überprüfen.

 **WARNUNG VOR GEFÄLSCHTEN PRODUKTEN:** Sollten Sie jemals eine Spektrum Komponente ersetzen wollen, kaufen Sie die benötigten Ersatzteile immer bei Horizon Hobby oder einem von Horizon Hobby autorisierten Händler, um sicherzugehen, dass Sie beste Spektrum Qualität erhalten. Horizon Hobby, LLC lehnt jedwede Haftung, Garantie und Serviceleistung in Bezug auf, aber nicht ausschließlich für, Kompatibilitäts- und Leistungsansprüche von gefälschten Produkten oder Produkten, die angeben mit Spektrum kompatibel zu sein, ab.

## INHALTSVERZEICHNIS

sicherheitshinweise und warnungen .....	15	Fahrzeugwartung .....	24
Inhaltsverzeichnis .....	15	Problemlösung .....	26
Wassergeschütztes Fahrzeug mit wasserdichter Elektronik .....	16	Eingeschränkte Garantie .....	27
SICHERHEITSHINWEISE UND WARNUNGEN ZUM LADEN .....	16	Garantie und Service Kontaktinformationen .....	28
box Contents .....	17	Konformitätshinweise für die Europäische Union .....	28
Empfohlene Werkzeuge .....	17	Explosionszeichnungen .....	55
Erste-Schritte-Checkliste .....	17	Teilelisten .....	58
Fahrzeugteile .....	18	Elektronik .....	60
Fahrzeugteile .....	21	Optionale Teile .....	60
Den Fahrzeug-Akku einsetzen .....	23		
Reichweitentest für das Funksystem durc .....	24		

## WASSERGESCHÜTZTES FAHRZEUG MIT WASSERDICHTER ELEKTRONIK

Ihr neues Horizon Hobby Fahrzeug wurde mit einer Kombination von wasserfesten und spritzwassergeschützten Komponenten ausgestattet, die den Betrieb des Fahrzeuges unter nassen Bedingungen inklusive Pfützen, Bächen, nassem Gra, Schnee oder sogar Regen ermöglichen.

Obwohl das Fahrzeug sehr wasserfest ausgelegt ist, ist es nicht vollständig wasserdicht und sollte NICHT wie ein U-Boot behandelt werden. Die verschiedenen elektronischen Komponenten wie der elektronische Fahrtregler (ESC), die Servos und Empfänger sind wasserdicht, die meisten mechanischen Komponenten sind nur wasserbeständig und sollten daher nicht untergetaucht werden.

Metallteile, inklusive Lager, Bolzen Schrauben und Muttern wie auch die Kontakte in den elektrischen Kabeln sind für Korrosion anfällig wenn nicht zusätzliche Wartung nach jedem Betrieb in feuchter/nasser Umgebung erfolgt. Um die Langzeitleistung und die Garantie ihres Fahrzeuges zu erhalten, müssen Sie die Wartung wie in der Wartungsanleitung nach Fahrten in nasser Umgebung beschrieben durchführen. Sollten Sie diese zusätzliche Wartung nicht ausführen wollen, dürfen Sie ihr Fahrzeug unter diesen Bedingungen nicht betreiben.



**ACHTUNG:** Mangelnde Aufmerksamkeit bei dem Gebrauch dieses Produktes in Verbindung mit den folgenden Sicherheitshinweisen könnte zu Fehlfunktionen und zum Verlust der Garantie führen.

### ALLGEMEINE SICHERHEITSHINWEISE

- Bitte lesen Sie sich die Wartungsanleitung nach Fahrten in nasser Umgebung sorgfältig durch und stellen sicher, dass Sie alle Werkzeuge für eine Wartung des Fahrzeuges haben.
- Sie können nicht alle Akkutypen für Fahrten in nasser Umgebung nutzen. Fragen Sie dazu vor dem Einsatz den Hersteller des Akkus. Achtsamkeit und Vorsicht ist notwendig wenn Sie LiPo Akkus in feuchten Umgebungen einsetzen.
- Die meisten Sender sind nicht wasserfest. Sehen Sie bitte dazu vor Inbetriebnahme in der Bedienungsanleitung ihres Senders nach oder kontaktieren Sie den Hersteller.
- Nehmen Sie niemals den Sender bei Blitzen oder Gewitter in Betrieb.
- Betreiben Sie ihr Fahrzeug nicht an Orten wo es in Kontakt mit Salzwasser oder verschmutzten, belasteten Gewässern kommen kann. Salzwasser ist sehr leitend und stark korrosionsfördernd, sein Sie daher sehr achtsam.
- Schon geringer Wasserkontakt kann den Motor beschädigen wenn er nicht für den Betrieb in Wasser ausgelegt ist. Sollte der Motor nass geworden sein geben Sie etwas Gas bis die meiste Feuchtigkeit vom Motor entfernt ist. Lassen Sie einen nassen Motor auf hoher Geschwindigkeit laufen wird dieses den Motor sehr schnell beschädigen.

- Fahren in nasser Umgebung kann die Lebenszeit des Motors reduzieren, da dieses den Motor stark beansprucht. Verändern Sie die Unterersetzung zu einem kleinerem Ritzel oder größeren Zahnrad. Dieses erhöht das Drehmoment (und verlängert die Motorlebensdauer) bei dem Betrieb in Matsch, tieferen Pfützen oder anderen Bedingungen, die die Last des Motors für einen längeren Zeitraum erhöhen.

### WARTUNGSANLEITUNG NACH FAHRTEN IN NASSER UMGEBUNG

- Entfernen Sie Wasser in den Reifen durch Gas geben. Nehmen Sie die Karosserie ab, drehen das Fahrzeug auf den Kopf und geben ein paar Mal kurz Vollgas bis das Wasser aus dem Reifen entfernt ist.



**ACHTUNG:** Halten Sie immer die Hände, Finger, Werkzeuge und andere lose oder hängende Objekte weg von drehenden Teilen wenn Sie diese Technik des Trocknens praktizieren.

- Entfernen Sie die Akkupacks und trocknen die Kontakte. Sollten Sie einen Kompressor oder Druckluft zur Verfügung haben, blasen Sie damit das Wasser aus dem Motorgehäuse.
- Nehmen Sie die Reifen und Felgen vom Fahrzeug ab und spülen Sie vorsichtig mit einem Gartenschlauch ab. Vermeiden Sie die Lager oder den Antrieb direkt zu spülen.

**HINWEIS:** Verwenden Sie keinen Hochdruckreiniger um das Fahrzeug zu reinigen.

- Reinigen Sie das Fahrzeug mit Druckluft aus einem Kompressor oder einer Druckluftflasche und entfernen so das Wasser aus den Spalten und Ecken.
- Sprühen Sie alle Lager, Befestigungen und andere Metallteile mit einem wasserdrängendem Leichtöl oder Schmiermittel ein. Sprühen Sie nicht den Motor ein.
- Lassen Sie das Fahrzeug vor dem Einlagern vollständig trocknen. Das Abtropfen von Wasser (und Öl) kann durchaus ein paar Stunden dauern.
- Erhöhen Sie die Wartungsintervalle (Demontage, Inspektion und schmieren) von folgenden Komponenten:
  - Vorder- und Hinterachse, Aufnahme und Lager.
  - Alle Antriebswellen Lager, Gehäuse, Getriebe und Differentiale.
  - Motor: reinigen Sie den Motor mit einem Aerosol Reiniger und ölen Sie dann die Lager mit leichtem Motoröl.

## SICHERHEITSHINWEISE UND WARNUNGEN ZUM LADEN



**ACHTUNG:** Alle Anweisungen und Warnhinweise müssen genau befolgt werden. Falsche Handhabung von Li-Po Akkus kann zu Brand, Personen- und/oder Sachwertschäden führen.

### LASSEN SIE DAS NETZGERÄT, LADEGERÄT UND AKKU NIEMALS UNBEAUFICHTIGT WÄHREND DES BETRIEBES. LADEN SIE NIEMALS AKKUS ÜBER NACHT.

Durch Handhabung, Aufladung oder Verwendung des mitgelieferten Li-Po Akkus übernehmen Sie alle mit Lithiumakkus verbundenen Risiken.

Sollte der Akku zu einem beliebigen Zeitpunkt beginnen, sich aufzublähen oder anzuschwellen, stoppen Sie die Verwendung unverzüglich. Falls dies beim Laden oder Entladen auftritt, stoppen Sie den Lade-/Entladevorgang, und entnehmen Sie den Akku. Wird ein Akku, der sich aufbläht oder anschwillt, weiter verwendet, geladen oder entladen, besteht Brandgefahr.

Lagern Sie den Akku stets bei Zimmertemperatur an einem trockenen Ort. Bei Transport oder vorübergehender Lagerung des Akkus muss der Temperaturbereich zwischen 40°F und 120°F (ca. 5 – 49°C) liegen. Akku oder Modell dürfen nicht im Auto oder unter direkter Sonneneinstrahlung gelagert werden. Bei Lagerung in einem heißen

Auto kann der Akku beschädigt werden oder sogar Feuer fangen.

Laden Sie die Akkus immer weit entfernt von brennbaren Materialien. Überprüfen Sie den Akku stets vor dem Laden.

Trennen Sie immer den Akku nach dem Laden und lassen das Ladegerät abkühlen.

Überwachen Sie ständig die Temperatur des Akkupacks während des Ladens.

Verwenden Sie ausschließlich ein Ladegerät das speziell für das Laden von Li-PO Akku geeignet ist. Das Laden mit einem nicht geeignetem Ladegerät kann Feuer und / oder Sachbeschädigung zur Folge haben.

Entladen Sie niemals ein Li-Po Akku unter 3V pro Zelle unter Last.

Verdecken Sie niemals Warnhinweise mit Klettband.

Laden Sie niemals Akkus ausserhalb ihrer sicheren Grenzen.

Überprüfen Sie immer den Akku vor dem Laden und laden Sie niemals defekte oder beschädigte Akkus.

Versuchen Sie nicht das Ladegerät zu demontieren oder zu verändern.

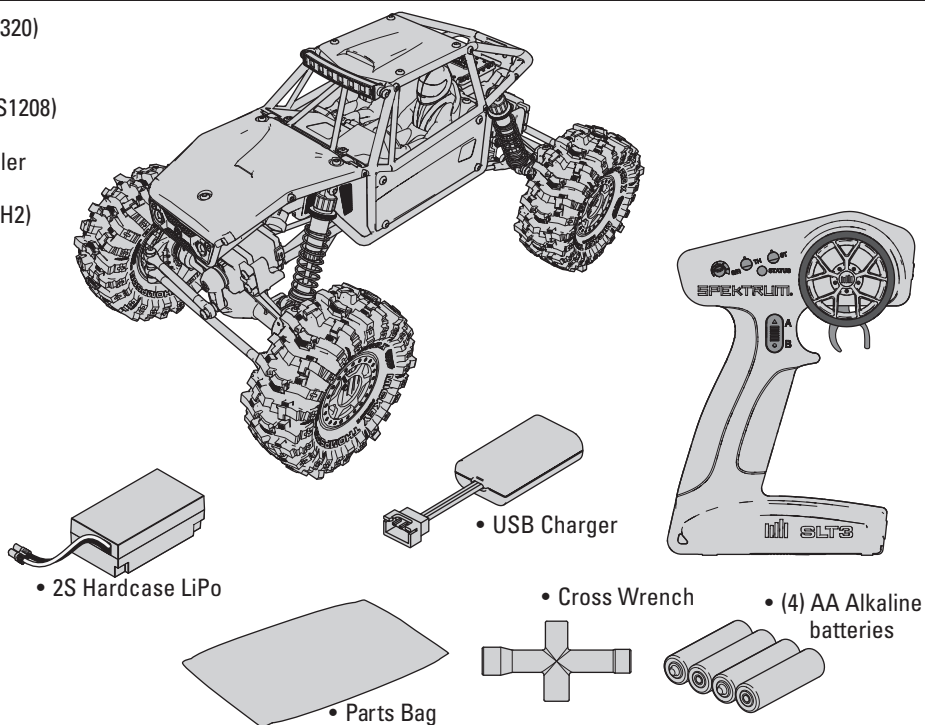
Erlauben Sie niemals Minderjährigen die Akku-Packs aufzuladen.

Laden Sie niemals Akkus an extrem kalten oder heißen Plätzen (empfohlener Temperaturbereich 5 – 49°) oder im direkten Sonnenlicht.

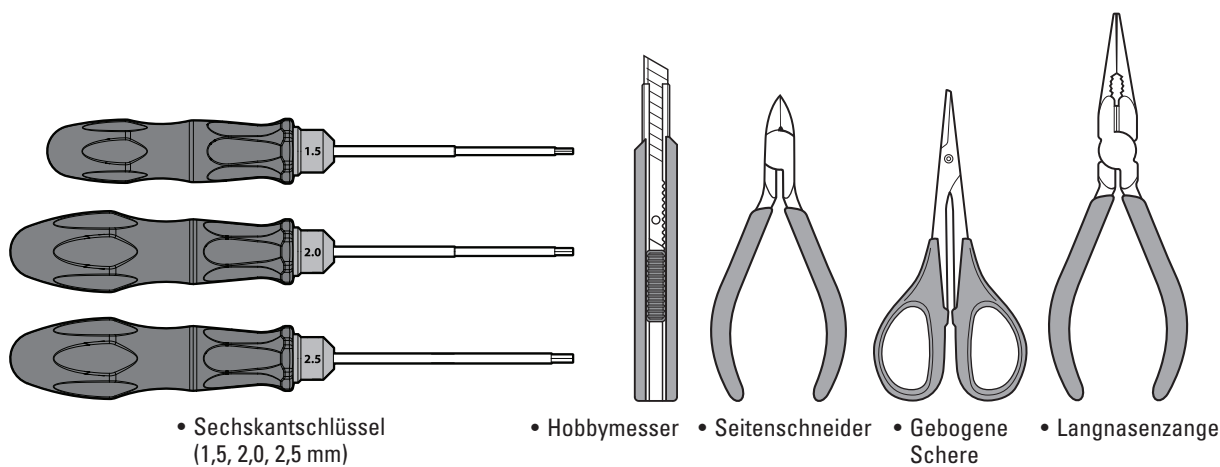


## BOX CONTENTS

- Spektrum™ SLT3 2,4 GHz 3 Kanäle (SPMRSLT320)
  - (4) AA-Alkali-Batterien
- Capra™ 4WS UTB18 RTR
  - Tazer 380-Bürstenmotor mit 37 Turns (DYNS1208)
  - SR515 DSMR-Empfänger (SPMSR515)
  - SPMXSE1025 Bürstengeschwindigkeitsregler
  - (2) Servos (SPMS664)
  - 7,4 V 650 mA 2S 20C LiPo, hart (DYNB65021H2)
- USB-C LiPo-Ladegerät (SPMXC0040)



## EMPFOHLENE WERKZEUGE

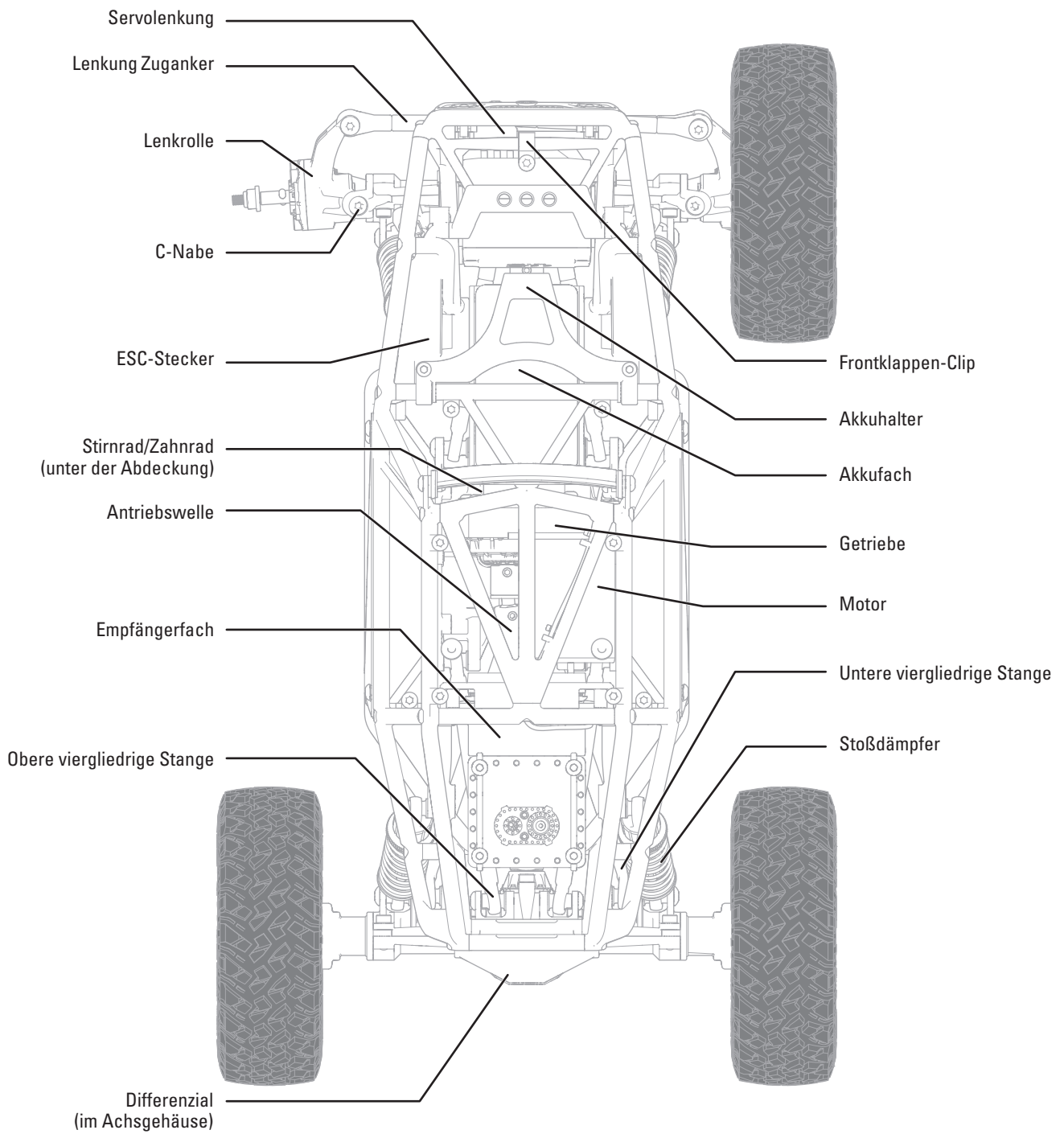


## ERSTE-SCHRITTE-CHECKLISTE

Lesen Sie das Handbuch
Machen Sie sich mit dem Fahrzeug und seinen Komponenten vertraut
Alle Schrauben, insbesondere die Feststellschrauben der Antriebswelle, werksseitig auf festen Sitz prüfen
Laden des Fahrzeug-Akkus
Die 4 AA-Batterien in den Sender einsetzen
Den Sender einschalten

Die Akkus in das Fahrzeug einsetzen
Überprüfen der ordnungsgemäßen Funktion der Gaszufuhr und der Lenkung
Reichweitentest für das Funksystem durchführen
Fahren Sie das Fahrzeug, fordern Sie sich selbst heraus und genießen Sie es!
Notwendige Wartungsmaßnahmen am Fahrzeug vornehmen

## FAHRZEUGTEILE



## AKKU-WARNHINWEISE

**! WARNUNG:** Unaufmerksamkeit oder falscher Gebrauch des Produktes in Zusammenhang mit den folgenden Warnungen kann zu Fehlfunktionen, elektrischen Störungen, große Hitzeentwicklung, FEUER, und tödlichen Verletzungen und Sachbeschädigungen führen.

• **EINEN AKKU WÄHREND DES LADENS NIE UNBEAUF SICHTIGT LASSEN.**

• **LADEN SIE NIEMALS AKKUS ÜBER NACHT.**

- Versuchen Sie niemals defekte, beschädigte oder nasse Akkus zu laden.
- Versuchen Sie niemals einen Akkupack zu laden der aus verschiedenen Akkutypen besteht.
- Erlauben Sie nicht Kinder unter 14 Jahren Akkus zu laden.
- Laden Sie niemals Akkus in extrem heißen oder kalten Orten oder in direkter Sonneneinstrahlung.
- Laden Sie niemals einen Akku dessen Kabel gekürzt oder beschädigt ist.
- Verwenden Sie niemals ein gekürztes oder beschädigtes Netz- oder Stromkabel.
- Schließen Sie niemals ein Ladegerät an eine 12 Volt Fahrzeugbatterie an wenn das Fahrzeug läuft.
- Versuchen Sie niemals ein Ladegerät auseinander zu bauen oder eine beschädigtes Ladegerät zu verwenden.
- Schließen Sie am Ladegerät niemals gleichzeitig den AC oder DC Stromeingang an.
- Schließen Sie niemals den DC Anschluss am AC Netzstrom an.
- Nur wiederaufladbare Ni-MH-Akkus verwenden. Dieses Ladegerät kann keine Akkus vom Typ „Hochleistungs-batterie“, „Alkali-Batterie“, „Lithium-Batterie“ oder „Quecksilberbatterie“ laden. Überprüfen Sie immer den Akku vor dem Laden.
- Halten Sie den Akku stets fern von Materialien die durch Hitze beeinflusst werden können.
- Halten Sie den Ladevorgang im Blick und stets einen Feuerlöscher verfügbar.
- Sollte der Akku beim Laden oder im Flug beginnen, sich auszudehnen oder anzuschwellen stoppen Sie den Ladevorgang oder den Flug unverzüglich.
- Schließen Sie zuerst das Ladekabel an das Ladegerät an und dann den Akku um Kurzschlüsse zu vermeiden. Trennen Sie die Verbindung in umgekehrter Reihenfolge.
- Schließen Sie den Pluspolanschluss (+) und den Minuspolanschluss (-) stets korrekt an.
- Trennen Sie nach dem Laden immer den Akku vom Ladegerät und lassen das Ladegerät zwischen dem Laden abkühlen.
- Laden Sie stets in einem gut belüfteten Bereich.
- Beenden Sie bei Fehlfunktion sofort alle Prozesse und kontaktieren den technischen Service von Horizon Hobby.
- Laden Sie nur wiederaufladbare Akkus. Dass Laden von nicht aufladbaren Batterien kann diesem zum Platzen bringen und Verletzungen und Sachschäden zur Folge haben.
- Die Mehrfachsteckdose sollte sich in der Nähe der Ausrüstung befinden und leicht erreichbar sein.

**! ACHTUNG:** Bitte stellen Sie sicher, dass die verwendeten Akkus mit den Spezifikationen des Ladegerätes übereinstimmen und die Einstellungen des Ladegerät korrekt eingestellt sind. Ein Nichtbefolgen kann zu großer Hitze und weiteren Fehlfunktionen führen, die zu Personen- oder Sachschäden führen können. Bitte kontaktieren Sie Horizonhobby oder einen autorisierten Händler wenn Sie Fragen zur Akkukompatibilität haben.

**! ACHTUNG:** Wenn der Akkupack während des Ladevorgangs zu irgendeinem Zeitpunkt heiß wird oder zu qualmen beginnt, den Akku sofort trennen und den Ladevorgang unterbrechen, da Akkus Feuer, Kollateralschäden und Verletzungen verursachen können.

## AKKU-WARNHINWEISE

Zum Laden des Akkus nur das mitgelieferte USB-Ladegerät verwenden.

1. Das Ladegerät an eine geeignete USB-Ladequelle anschließen. Das Ladegerät funktioniert mit den meisten mobilen 5V-Stromquellen oder Smartphone-Ladegeräten mit mindestens 1 Ampere Ausgangsleistung.

**HINWEIS:** Das Laden des Akkus mit einer USB-Ladequelle von weniger als 1 Ampere Ausgangsleistung kann Wärme erzeugen.

2. Die Ladegerät-Leitung am Akku mit der richtigen Polarität anschließen. Das Laden eines vollständig entladenen Akkus kann etwa 45–60 Minuten dauern. Die Ladezeiten können abhängig von der Stromquelle variieren.
3. Den Akku aus dem Ladegerät nehmen, wenn der Ladezyklus abgeschlossen ist.
4. Das Ladegerät von der Stromquelle trennen.

**! ACHTUNG:** Entnehmen Sie den Akku aus dem Lader, sobald dieser fertig geladen ist. Belassen Sie den Akku niemals im Lader.

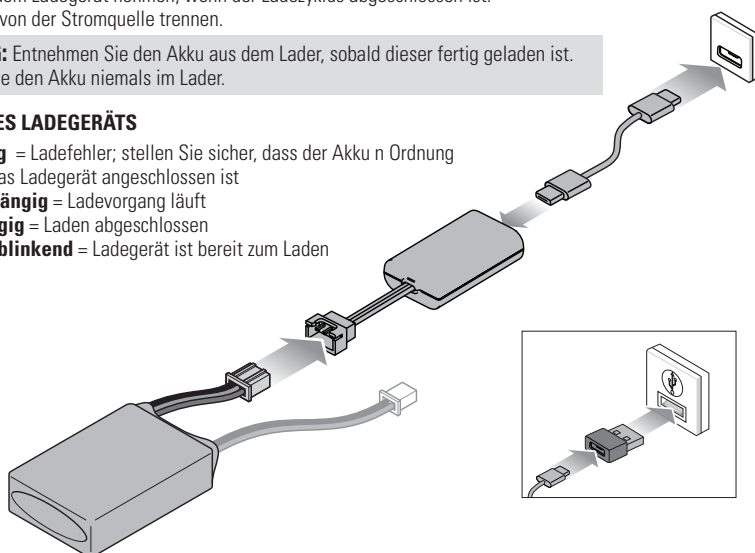
### LED-ANZEIGEN DES LADEGERÄTS

**ROT, durchgängig** = Ladefehler; stellen Sie sicher, dass der Akku in Ordnung ist und richtig an das Ladegerät angeschlossen ist

**ORANGE, durchgängig** = Ladevorgang läuft

**GRÜN, durchgängig** = Laden abgeschlossen

**ORANGE/GRÜN, blinkend** = Ladegerät ist bereit zum Laden



## SENDERFUNKTIONEN

### Spezifikationen

**Netzteil:** 4 AA-Akkus

**Betriebsfrequenz:** 2,4 GHz

**Senderleistung:** < 100 mW

**Steuerprotokoll:** SLT

**Steuerung:** Proportionalsteuerung und Gas/Bremse mit Trimmungsknöpfen, dritter Kanal mit 3-Positionen-Schalter

**Zusatzfunktionen:** Gasbegrenzer mit 3 Positionen, Steuerratenknopf zum spontanen Ändern des Steuerungsverfahrens, programmierbarer Servo-Verfahrweg für Steuerung und Gas/Rückwärts.

**A. Gastrimmung** Zur Anpassung des Gasnullpunktes

**B. Steuertrimmung** Zur Anpassung des Steuermittelpunktes. Normalerweise wird die Steuertrimmung solange eingestellt, bis das Fahrzeug gerade in der Spur läuft.

### C. LEDs

- Durchgängig rot: Zeigt an, dass die Stromversorgung eingeschaltet ist und eine angemessene Akku-Leistung vorliegt
- Rot blinkend: Zeigt an, dass die Akku-Spannung kritisch niedrig ist. Akkus ersetzen

### D. Steuerrad

### E. Gas/Rückwärts

**F. Steuerrate** Knopf für die spontane Wegverstellung auf der Steuerung

### G. Lenkungsmodus

3-Positionen-Schalter.

**H. Begrenzung Gaszufuhr** Begrenzt die Gaszufuhr auf 50/75/100 %

50 oder 75 % für Fahrer mit weniger Erfahrung wählen oder wenn das Fahrzeug in einem kleinen Gebiet gefahren wird.

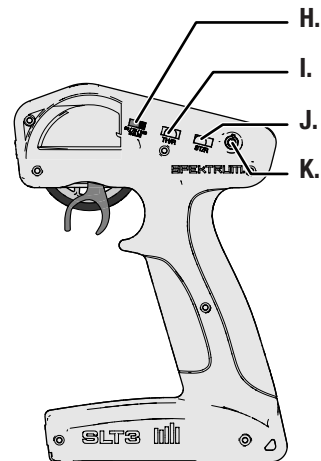
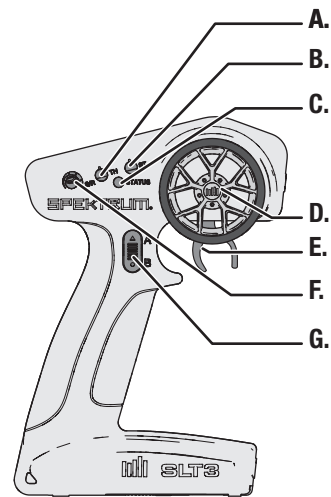
### I. Gas (TH) Umkehren der Servolaufrichtung

Den Schalter bewegen, um den Gaskanal umzukehren

### J. Steuerung (ST) Umkehren der Servolaufrichtung

Den Schalter bewegen, um den Steuerkanal umzukehren

### K. Ein-/Ausschalter

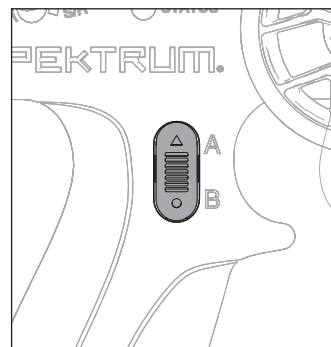


## HINTERE LENKUNGSMODI

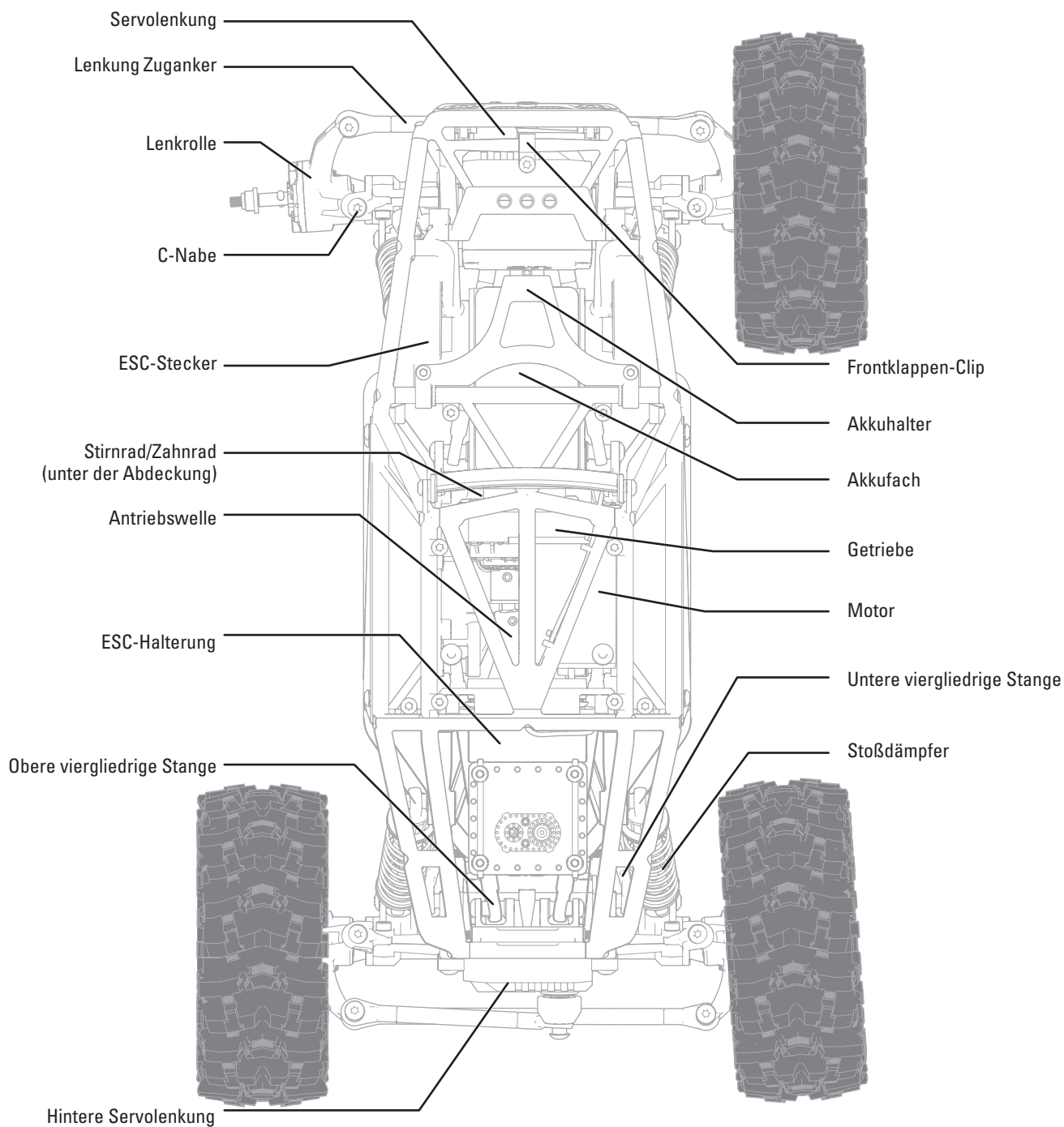
Der Capra 4WS verfügt sowohl über eine Vorder- als auch über eine Hinterradlenkung. Es gibt drei Lenkungsmodi, mit denen die Reaktion der Hinterradlenkung auf das Lenkrad gesteuert werden kann. Der Lenkmodus wird vom Sender aus mit dem Drei-Positionen-Schalter ausgewählt.

**WICHTIG:** Die Lenkungseinstellung wirkt sich nur auf die Vorderräder aus.

- In allen Modi arbeiten die Vorderräder normal.
- Rauf ist der Krabbenmodus, bei dem die Hinterräder in die gleiche Richtung lenken wie die Vorderräder, so dass das gesamte Fahrzeug seitwärts krabbeln kann.
- Runter ist der Spiegelmodus, bei dem die Hinterräder gegenüber den Vorderrädern lenken, um den Wendekreis zu verkleinern.
- Mitte ist der reine Frontlenkmodus, bei dem die Hinterräder nicht mitlenken.
- Drücken Sie den Drei-Positionen-Schalter nach oben oder unten, um von der reinen Frontlenkung zu wechseln.
- Wenn Sie von einem der zweifachen Lenkungsmodi wechseln, müssen Sie zunächst wieder auf reine Vorderradlenkung umschalten.



## FAHRZEUGTEILE



## SERVO-VERFAHRWEG

Der Servo-Verfahrweg auf den Kanälen Steuerung und Gas kann über einen speziellen Programmiermodus im Sender angepasst werden.

1. Damit beginnen, wenn das Binden des Senders am Empfänger abgeschlossen ist. Den Empfänger einschalten.
2. Ganz nach rechts und Vollbremsung halten, während der Sender eingeschaltet wird, um den Sender in den Programmiermodus zu bringen. Die LED auf dem Sender wird 4-mal blinken, um anzuzeigen, dass er sich im Programmiermodus befindet.
3. Das Rad vollständig nach links drehen und halten, um die Verfahrweggrenze für diese Richtung festzulegen. Die A-Taste zum Erhöhen des Verfahrwegs und die B-Taste zum Verkleinern des Verfahrwegs drücken. Die LED wird bei jeder Änderung einmal blinken. Das Rad wieder in die Mitte bringen, um den Wert des Verfahrwegs festzulegen.

**WICHTIG:** Erreicht der Wert das Maximum oder Minimum, das akzeptiert werden kann, wird die LED bei weiteren Eingaben nicht blinken.

4. Das Rad nach rechts drehen und den Vorgang wiederholen, um den Steuerverfahrweg nach rechts einzurichten.
5. Den Sender bei Elektrofahrzeugen zum Speichern der Einstellungen ausschalten. Den Geschwindigkeitsregler auf den standardmäßigen Gasverfahrweg kalibrieren.
6. Bei kraftstoffbetriebenen Fahrzeugen den Gasverfahrweg bei ausgeschaltetem Motor einrichten. Nach dem Einrichten des Steuerverfahrwegs den Gasverfahrweg mit demselben Vorgang einrichten. Vollgas gezogen halten und Verfahrweg mit den Tasten A und B anpassen. Zur Mitte zurückkehren, um den Wert festzulegen.
7. Vollbremsung drücken, Verfahrweg mit den Tasten A und B anpassen, zur Mitte zurückkehren
8. Den Sender zum Speichern der Werte ausschalten.

## EINSETZEN DER SENDERBATTEREIEN

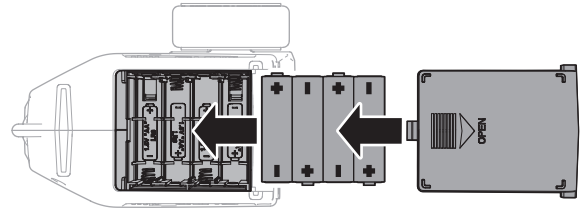
Für diesen Sender werden 4 AA-Akkus benötigt.

1. Die Akku-Abdeckung vom Sender entfernen.
2. Die Akkus entsprechend der Abbildung einsetzen.
3. Die Akku-Abdeckung wieder montieren.

**ACHTUNG:** NIEMALS die Sender-Akkus entfernen, während das Fahrzeug eingeschaltet ist. Es kann zu einem Kontrollverlust über das Fahrzeug, zu einer Beschädigung oder zu Verletzungen kommen.

**ACHTUNG:** Bei der Verwendung von wiederaufladbaren Akkus dürfen auch nur solche erneut geladen werden. Das Aufladen von normalen, nicht wiederaufladbaren Akkus kann ein Platzen der Akkus und damit verbundene Verletzungen oder Sachschäden verursachen.

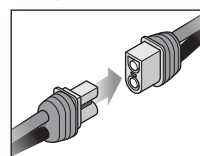
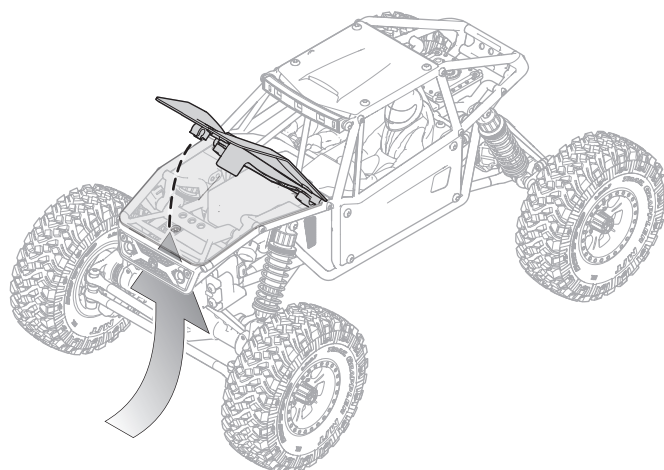
**ACHTUNG:** Es besteht Explosionsgefahr, wenn der Akku durch einen falschen Akku-Typ ersetzt wird. Die Alt-Akkus gemäß den örtlichen Gesetzen entsorgen.



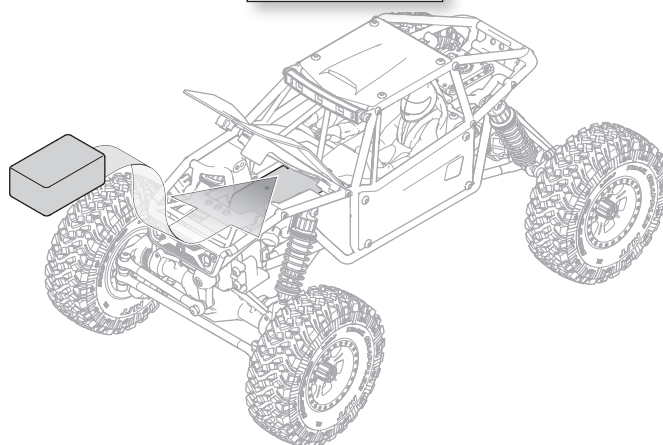
## DEN FAHRZEUG-AKKU EINSETZEN

Stromversorgung

1. Den Sender einschalten.
2. Die Haube hinter der Frontstoßstange nach oben drücken, um die Verriegelung zu lösen. Die Haube anheben.
3. Den Akku an den Geschwindigkeitsregler anschließen.

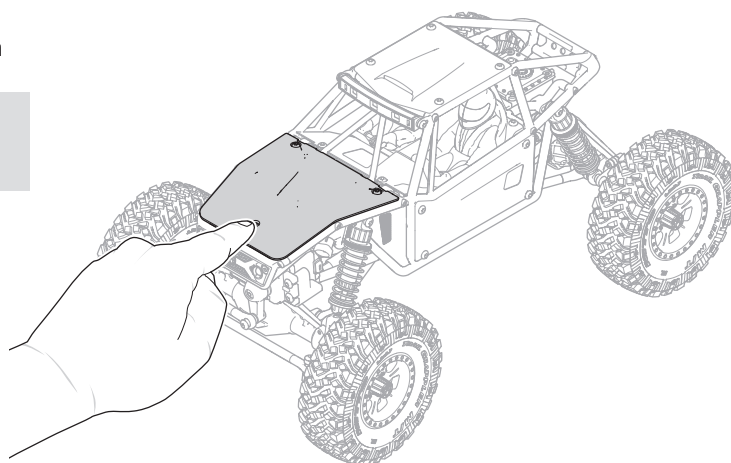


4. Den Akku im Akkufach einsetzen.



5. Die Haube schließen und in der Mitte nach unten drücken, um sie am Chassis zu verriegeln. Der Akku wird durch die Haube an seinem Platz gehalten.

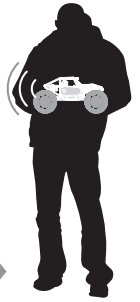
**HINWEIS:** Bevor der Sender ausgeschaltet wird, den Akku immer vom Geschwindigkeitsregler trennen. Ein Schaden an der Fahrzeugsteuerung kann die Folge sein.



## REICHWEITENTEST FÜR DAS FUNKSYSTEM DURC

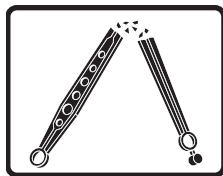
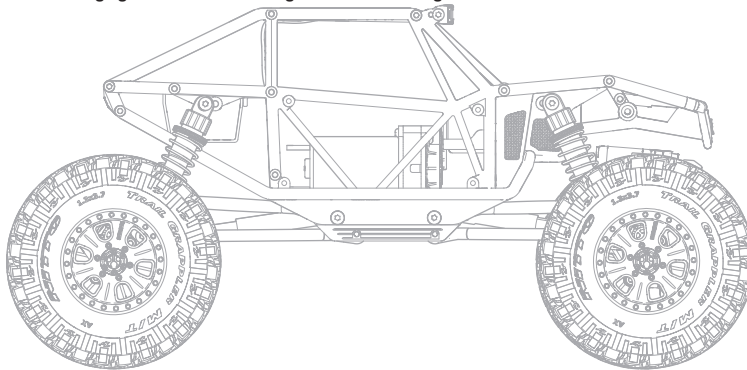
Das Funksystem sollte vor dem Betrieb des Fahrzeugs überprüft werden, um einen ordnungsgemäßen Betrieb und eine ausreichende Reichweite zu gewährleisten.

1. Den Sender einschalten.
2. Den Akku an das Fahrzeug anschließen.
3. Bitten Sie jemanden das Fahrzeug zu halten, damit Sie Hände und lose Kleidung von beweglichen Teilen fernhalten können.
4. Bewegen Sie sich so weit vom Fahrzeug weg, bis Sie den maximal geplanten Betriebsabstand zum Fahrzeug erreicht haben.
5. Drehen Sie das Steuerrad von einer Seite zur anderen und betätigen Sie die Gaszufuhr, sowohl vorwärts als auch rückwärts, und achten Sie darauf, ob Sie irgendein unregelmäßiges Verhalten bemerken.
6. Wenn ein unregelmäßiges Verhalten auftritt, dürfen Sie das Fahrzeug NICHT zum Einsatz bringen. Wenden Sie sich in diesem Fall an den Kundendienst.

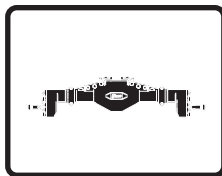


## FAHRZEUGWARTUNG

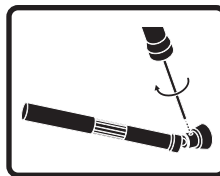
Genau wie bei einem richtigen Auto oder LKW muss Ihr RC-Fahrzeug regelmäßig gewartet werden, um eine hohe Leistungsfähigkeit zu gewährleisten. Vorbeugende Wartung hilft auch, unnötige Ausfälle zu vermeiden, die zu kostspieligen Reparaturen führen können. Nachfolgend finden Sie einige Vorschläge zur ordnungsgemäßen Wartung Ihres Fahrzeugs.



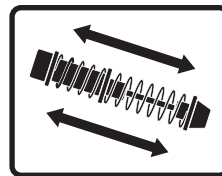
Ersetzen Sie alle erkennbaren gebogenen oder gebrochenen Teile



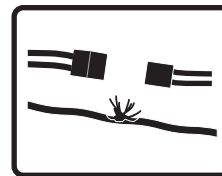
Überprüfen Sie den Verschleiß der Kugelgelenke an den Lenkgliedern und Aufhängungen (ggf. austauschen)



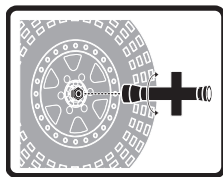
Die Einstellung der Schrauben für die Antriebswelle prüfen und ggf. Gewindegewinde anbringen



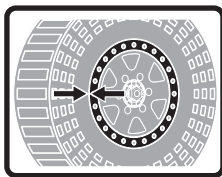
Die Stoßdämpfer auf reibungslosen, gedämpften Betrieb prüfen



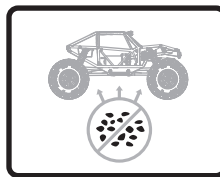
Überprüfen, ob lose Verbindungen oder ausgefranste Kabel vorhanden sind



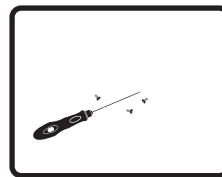
Die Radmuttern auf festen Sitz prüfen



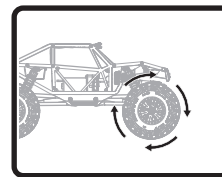
Sicherstellen, dass die Radflanschen noch fest über den gesamten Umfang der Felge verbunden sind



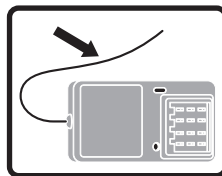
Die Karosserie frei von Schmutz und Ablagerungen halten



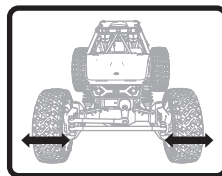
Die Karosserie auf lose Schrauben überprüfen, insbesondere die Schrauben für Achsschenkel, C-Naben und Achsausgänge



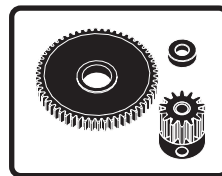
Überprüfen des Antriebsstrangs auf einen reibungslosen, bindungsfreien Betrieb



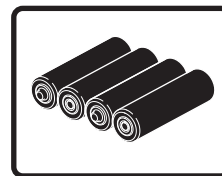
Die Empfängerantenne auf Beschädigungen prüfen



Die Lenkfunktion auf eine mögliche Bindung überprüfen



Überprüfen des Stirnrads und der Ritzelräder auf Beschädigungen



Die Sender-Akkus ersetzen, wenn der Sender dies, wie im Abschnitt Senderfunktionen beschrieben, anzeigt



## SR515 EMPFÄNGER

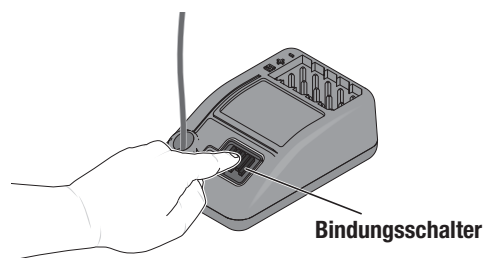
### BINDEN

Der Begriff „Binden“ bezeichnet den Vorgang elektrischer Bindung des Sender mit dem Empfänger. Der Sender und der Empfänger sind werksseitig gebunden. Wenn ein erneutes Binden erforderlich ist, gehen Sie wie folgt vor:

**HINWEIS:** Sämtliche Körperteile, lockere Kleidung und andere Elemente stets von den Propellern fernhalten.

**WICHTIG:** Bei Verwendung eines anderen Empfängers oder Funksystems sind die Anweisungen zum Binden für diesen Empfänger zu befolgen.

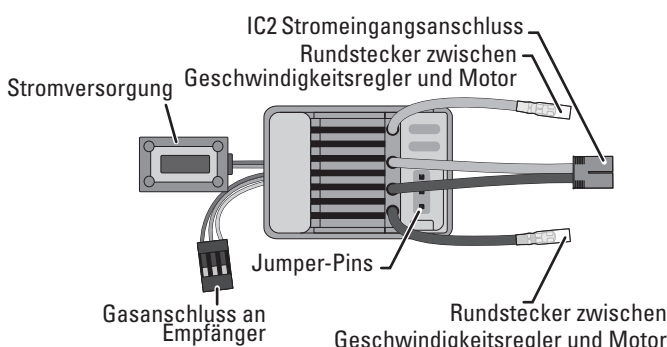
1. Empfänger einschalten, dreimal schnell (innerhalb von 1,5 Sekunden) die Bindungstaste drücken. Die orangefarbene LED beginnt mit Unterbrechung zu blinken.
2. Die Trimmungen und Steuerpositionen auf den gewünschten Failsafe-Einstellungen einrichten und den SLT3-Sender einschalten.
3. Leuchtet die orangefarbene LED auf dem SLT3-Empfänger weiter, so ist er mit dem SR515-Empfänger verbunden.



## SPMXSE1025 GESCHWINDIGKEITSREGLER

<b>Typ</b>	Bürstenmotor
<b>Dauerstrom/Spitzenstrom</b>	25A/100A
<b>Funktion</b>	Vorwärts/Rückwärts
<b>Fahrzeugtyp</b>	1/18 Scale Crawler Geländewagen
<b>Optionale Funktionen</b>	Einstellung Batteriechemie durch Jumper
<b>Akkutyp/Eingangsspannung</b>	2–3 S LiPo oder 5–9 NiMH
<b>Empfohlener Motortyp</b>	270er–380er Bürstenmotor
<b>BEC-Ausgang</b>	6V/4A (Wechselmodus)
<b>Abmessungen</b>	34 mm x 24 mm x 14 mm
<b>Gewicht</b>	28 g
<b>Akkustecker</b>	IC2™-Anschluss
<b>Motorstecker</b>	4 mm Motor-Steckbuchsen

### SCHALTPLAN



### KALIBRIERUNG VON GESCHWINDIGKEITSREGLER UND SENDER

Bei Verwendung eines neuen Geschwindigkeitsreglers ist es wichtig, ihn so einzustellen, dass er mit dem Gasbereich auf Ihrem Sender übereinstimmt. Wenn Sie ein neues Funksystem installieren oder Änderungen an den Gas-/Bremswerten in Ihrem Sender vornehmen, müssen Sie den Geschwindigkeitsregler-Kalibrierungsprozess erneut durchführen. Wenn Sie die Geschwindigkeitsregler nicht auf Ihr Funksystem kalibrieren, funktioniert die Geschwindigkeitsregler nicht korrekt.

1. Den Sender einschalten. Stellen Sie sicher, dass der Gasbegrenzungsschalter am Sender auf 100 % steht.
2. Einen Akku an den Geschwindigkeitsregler anschließen.
3. Die Gaszufuhr auf Neutral, den Geschwindigkeitsregler einschalten. 3 Sekunden warten. Der Geschwindigkeitsregler führt die Drosselklappenerneuerung durch.

### LED-ANZEIGE

Nach dem Einschalten des Geschwindigkeitsreglers blinkt die LED, um den Status anzuzeigen.

Während des Betriebs	LED-Status
Drosselklappe Neutral	AUS
Vorwärts teilweise Gas	Schnelles Blinken
Vollgas	Durchgängig
Rückwärts teilweise Gas	Schnelles Blinken
Vollgas Rückwärts	Durchgängig
Unterspannung des Akkus	Schnelles Blinken
Überhitzung	Schnelles Blinken

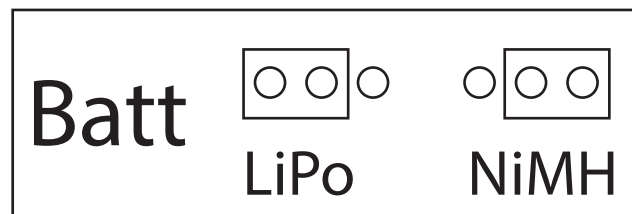
**HINWEIS:** Klemmen Sie nach jeder Nutzung des Fahrzeugs den Akku vom Geschwindigkeitsregler ab. Bleibt der Akku mit dem Stromschalter in der OFF-Position verbunden, so zieht der Geschwindigkeitsregler bei einem Anschluss am Akku weiterhin Strom, was möglicherweise zur Beschädigung des Akkus durch eine übermäßige Entladung führen kann.

**HINWEIS:** Einen dedizierten Empfängerakku nicht mit den Servo- oder Programmieranschlüssen verbinden. Ist der Geschwindigkeitsregler/Empfänger eingeschaltet, so versorgt er die Servo-Anschlüsse mit einer geregelten Spannung von 6 V vom Hauptakku. Ist ein dedizierter Empfängerakku mit den Servo-Anschlüssen verbunden, kann dies zu Schäden am Geschwindigkeitsregler/Empfänger führen.

### AUSWAHL DES JUMPERS

Der Geschwindigkeitsregler in diesem Fahrzeug verwendet einen Jumper zur Einstellung des Akkutyps. Stellen Sie den LiPo-Typ für den mitgelieferten Akku ein.

- Wenn Sie den Akkutyp auf LiPo-Modus einstellen möchten, stecken Sie den Jumper in die linken beiden Pins der Akku-Stiftleiste. Der LiPo-Modus ist der Standardmodus.
- Wenn Sie den Akkutyp auf NiMH-Modus einstellen möchten, stecken Sie den Jumper in die beiden rechten Pins der Akku-Stiftleiste.



# PROBLEMLÖSUNG

PROBLEM	MÖGLICHE URSACHE	LÖSUNG
Das System verbindet sich nicht	Der Sender und der Empfänger sind zu nah aneinander	Den Sender 2,44 bis 3,66 m vom Empfänger entfernt verschieben
	Sie sind in der Nähe von Metallobjekten	In einen Bereich mit weniger Metall gehen
	Der Empfänger ist an einen anderen Modellspeicher gebunden	Sicherstellen, dass der korrekte Modellspeicher im Sender aktiv ist
	Der Sender wurde in den Bindungsmodus versetzt und ist nicht länger mit dem Empfänger gebunden	Den Sender und Empfänger erneut binden und dann erneut kalibrieren
Der Empfänger schaltet sich in Failsafe, obwohl er sich in geringer Entfernung zum Sender befindet	Auf Schäden an der Empfängerantenne prüfen	Sicherstellen, dass die Empfängerantenne geschützt und so hoch wie praktikabel positioniert ist Empfänger ersetzen oder den Horizon-Kundendienst kontaktieren
Der Empfänger reagiert während des Betriebs nicht mehr	Niedrige Empfänger-Akkuspannung. Ist die Akku-Spannung niedrig, kann sie kurzzeitig unter 3,5 V fallen und so einen Spannungsabfall im Empfänger verursachen, sich dann erneut verbinden	Den Akku von Empfänger oder Fahrzeug aufladen. Die Spektrum-Empfänger erfordern für den Betrieb mindestens 3,5 V
	Lose oder beschädigte Kabel oder Stecker zwischen Akku und Empfänger	Die Kabel und Verbindungen zwischen Akku und Empfänger überprüfen. Kabel und/oder Stecker reparieren oder ersetzen
Fahrzeug bewegt sich nicht	Die Akkus sind nicht richtig in den Sender eingesetzt	Sicherstellen, dass die Sender-Akkus richtig eingesetzt sind
	Schwacher oder kein Akku im Fahrzeug	Einsetzen eines neu aufgeladenen Fahrzeug-Akkus
	Beschädigter Motor	Motor ersetzen
	Ausgefranzte oder gebrochene Kabel	Jedes beschädigte Kabel ersetzen
Schaden an/Verlust der Fahrzeugsteuerung	Geschwindigkeitsregler wird durch Hitzeschutzschaltung abgeschaltet	Den Geschwindigkeitsregler vollständig abkühlen lassen
	Unsachgemäße Positionierung der Antenne	Sicherstellen, dass die Senderantenne nicht blockiert ist und die Empfängerantenne richtig positioniert ist
	Schwacher oder kein Akku im Sender oder Fahrzeug	Einsetzen eines neu aufgeladenen Fahrzeug- oder Sender-Akkus
	Neutral- oder Trimmposition ist falsch	Steuertrimmung ausrichten
Empfänger und/oder Akku nicht richtig angeschlossen		Alle Empfänger- und Akku-Verbindungen überprüfen
	Der Servo-Verfahrweg ist umgekehrt am Sender	Den Servoumkehrschalter des Senders in die richtige Position bringen
Steuer- und/oder Gaszufuhrfunktion ist vertauscht	Motorkabel sind nicht ordnungsgemäß verbunden	Überprüfen aller Motorkabel auf korrekte Polarität und sichere Verbindung
Geschwindigkeitsregler EIN – Keine Motorfunktion, hörbare Töne oder LED	Akku-/Verbindungsproblem	Akku aufladen/ersetzen. Alle Verbindungen sichern
	Beschädigter Geschwindigkeitsregler/Schalter	Geschwindigkeitsregler-Schalter/Geschwindigkeitsregler reparieren/ersetzen
	Beschädigter Motor	Reparieren/ersetzen
Motor – Stoppt und LED blinkt	Verpolungsschutz	Wenn die Geschwindigkeitsregler-LED blinkt, Akku laden/ersetzen
	Überhitzungsschutz	Wenn die grüne LED blinkt, den Geschwindigkeitsregler/Motor abkühlen lassen, Konfiguration oder Übersetzung ändern, damit Überhitzung vermieden wird
Motor – Beschleunigt ungleichmäßig	Akku-Problem	Beschädigte Kabel reparieren/Akkus ersetzen
	Falsche Getriebeübersetzung	Getriebe anpassen/ersetzen
	Verschlissener oder beschädigter Motor	Motor reparieren/ersetzen
Motor – Reagiert nicht kontinuierlich auf Gas	Geschwindigkeitsregler/Motor beschädigt	Verkabelung oder Motor/Geschwindigkeitsregler reparieren/ersetzen
Motor – Wird langsamer, stoppt aber nicht–	Falsche Kalibrierung von Sender/Geschwindigkeitsregler	Gasweg/andere Gaseinstellungen auf Sender/Geschwindigkeitsregler anpassen. Kalibrierungsverfahren des Geschwindigkeitsreglers wiederholen
Servolenkung – Funktioniert; Motor nicht in Betrieb	Beschädigter Motor	Motor unabhängig vom Fahrzeugsystem testen, bei Bedarf Motor reparieren/ersetzen
	Falsche Kalibrierung von Sender/Geschwindigkeitsregler	Gasweg/andere Gaseinstellungen auf Sender/Geschwindigkeitsregler anpassen. Kalibrierungsverfahren des Geschwindigkeitsreglers wiederholen
Steuerung/Motor – Funktioniert nicht	Niedrige Akkuspannung	Aufladen/ersetzen
	Falscher Modellspeicher auf Sender ausgewählt	Korrekte Modelleinstellungen auf dem Sender wählen, siehe Sender- und/oder Empfänger-Handbuch
	Empfänger nicht am Sender gebunden	Sender am Empfänger binden, siehe Sender- und/oder Empfänger-Handbuch
Fahrzeug – Funktioniert nicht auf voller Geschwindigkeit	Akku-Problem	Aufladen/ersetzen
	Falsche Kalibrierung von Sender/Geschwindigkeitsregler	Gasweg/andere Gaseinstellungen auf Sender/Geschwindigkeitsregler anpassen. Kalibrierungsverfahren des Geschwindigkeitsreglers wiederholen

## EINGESCHRÄNKTE GARANTIE

### Warnung

Ein ferngesteuertes Modell ist kein Spielzeug. Es kann, wenn es falsch eingesetzt wird, zu erheblichen Verletzungen bei Lebewesen und Beschädigungen an Sachgütern führen. Betreiben Sie Ihr RC-Modell nur auf freien Plätzen und beachten Sie alle Hinweise der Bedienungsanleitung des Modells wie auch der Fernsteuerung.

### Garantiezeitraum

Exklusive Garantie Horizon Hobby LLC (Horizon) garantiert, dass dasgekaufte Produkt frei von Material- und Montagefehlern ist. Der Garantiezeitraum entspricht den gesetzlichen Bestimmungen des Landes, in dem das Produkt erworben wurde. In Deutschland beträgt der Garantiezeitraum 6 Monate und der Gewährleistungszeitraum 18 Monate nach dem Garantiezeitraum.

### Einschränkungen der Garantie

- (a) Die Garantie wird nur dem Erstkäufer (Käufer) gewährt und kann nicht übertragen werden. Der Anspruch des Käufers besteht in der Reparatur oder dem Tausch im Rahmen dieser Garantie. Die Garantie erstreckt sich ausschließlich auf Produkte, die bei einem autorisierten Horizon Händler erworben wurden. Verkäufe an dritte werden von dieser Garantie nicht gedeckt. Garantieansprüche werden nur angenommen, wenn ein gültiger Kaufnachweis erbracht wird. Horizon behält sich das Recht vor, diese Garantiebestimmungen ohne Ankündigung zu ändern oder modifizieren und widerruft dann bestehende Garantiebestimmungen.
- (b) Horizon übernimmt keine Garantie für die Verkaufbarkeit des Produktes, die Fähigkeiten und die Fitness des Verbrauchers für einen bestimmten Einsatzzweck des Produktes. Der Käufer allein ist dafür verantwortlich, zu prüfen, ob das Produkt seinen Fähigkeiten und dem vorgesehenen Einsatzzweck entspricht.
- (c) Ansprüche des Käufers → Es liegt ausschließlich im Ermessen von Horizon, ob das Produkt, bei dem ein Garantiefall festgestellt wurde, repariert oder ausgetauscht wird. Dies sind die exklusiven Ansprüche des Käufers, wenn ein Defekt festgestellt wird.

Horizon behält sich vor, alle eingesetzten Komponenten zu prüfen, die in den Garantiefall einbezogen werden können. Die Entscheidung zur Reparatur oder zum Austausch liegt nur bei Horizon. Die Garantie schließt kosmetische Defekte oder Defekte, hervorgerufen durch höhere Gewalt, falsche Behandlung des Produktes, falscher Einsatz des Produktes, kommerziellen Einsatz oder Modifikationen irgendwelcher Art aus.

Die Garantie schließt Schäden, die durch falschen Einbau, falsche Handhabung, Unfälle, Betrieb, Service oder Reparaturversuche, die nicht von Horizon ausgeführt wurden aus.

Ausgeschlossen sind auch Fälle die bedingt durch (vii) eine Nutzung sind, die gegen geltendes Recht, Gesetze oder Regularien verstoßen haben. Rücksendungen durch den Käufer direkt an Horizon oder eine seiner Landesvertretung bedürfen der Schriftform.

### Schadensbeschränkung

Horizon ist nicht für direkte oder indirekte Folgeschäden, Einkommensausfälle oder kommerzielle Verluste, die in irgendeinem Zusammenhang mit dem Produkt stehen verantwortlich, unabhängig ab ein Anspruch im Zusammenhang mit einem Vertrag, der Garantie oder der Gewährleistung erhoben werden. Horizon wird darüber hinaus keine Ansprüche aus einem Garantiefall akzeptieren, die über den individuellen Wert des Produktes hinaus gehen. Horizon hat keinen Einfluss auf den Einbau, die Verwendung oder die Wartung des Produktes oder etwaiger Produktkombinationen, die vom Käufer gewählt werden. Horizon übernimmt keine Garantie und akzeptiert keine Ansprüche für in der folge auftretende Verletzungen oder Beschädigungen. Mit der Verwendung und dem Einbau des Produktes akzeptiert der Käufer alle aufgeführten Garantiebestimmungen ohne Einschränkungen und Vorbehalte.

Wenn Sie als Käufer nicht bereit sind, diese Bestimmungen im Zusammenhang mit der Benutzung des Produktes zu akzeptieren, werden Sie gebeten, dass Produkt in unbenutztem Zustand in der Originalverpackung vollständig bei dem Verkäufer zurückzugeben.

### Sicherheitshinweise

Dieses ist ein hochwertiges Hobby Produkt und kein Spielzeug. Es muss mit Vorsicht und Umsicht eingesetzt werden und erfordert einige mechanische wie auch mentale Fähigkeiten. Ein Versagen, das Produkt sicher und umsichtig zu betreiben kann zu Verletzungen von Lebewesen und Sachbeschädigungen erheblichen Ausmaßes führen. Dieses Produkt ist nicht für den Gebrauch durch Kinder ohne die Aufsicht eines Erziehungsberechtigten vorgesehen. Die Anleitung enthält Sicherheitshinweise und Vorschriften sowie Hinweise für die Wartung und den Betrieb des Produktes. Es ist unabdingbar, diese Hinweise vor der ersten Inbetriebnahme zu lesen und zu verstehen. Nur so kann der falsche Umgang verhindert und Unfälle mit Verletzungen und Beschädigungen vermieden werden.

### Fragen, Hilfe und Reparaturen

Ihr lokaler Fachhändler und die Verkaufsstelle können eine Garantiebeurteilung ohne Rücksprache mit Horizon nicht durchführen. Dies gilt auch für Garantireparaturen. Deshalb kontaktieren Sie in einem solchen Fall den Händler, der sich mit Horizon kurz schließen wird, um eine sachgerechte Entscheidung zu fällen, die Ihnen schnellst möglich hilft.

### Wartung und Reparatur

Muss Ihr Produkt gewartet oder repariert werden, wenden Sie sich entweder an Ihren Fachhändler oder direkt an Horizon.

Rücksendungen / Reparaturen werden nur mit einer von Horizon vergebenen RMA Nummer bearbeitet. Diese Nummer erhalten Sie oder ihr Fachhändler vom technischen Service. Mehr Informationen dazu erhalten Sie im Serviceportal unter [www.Horizonhobby.de](http://www.Horizonhobby.de) oder telefonisch bei dem technischen Service von Horizon.

Packen Sie das Produkt sorgfältig ein. Beachten Sie, dass der Originalkarton in der Regel nicht ausreicht, um beim Versand nicht beschädigt zu werden. Verwenden Sie einen Paketdienstleister mit einer Tracking Funktion und Versicherung, da Horizon bis zur Annahme keine Verantwortung für den Versand des Produktes übernimmt. Bitte legen Sie dem Produkt einen Kaufbeleg bei, sowie eine ausführliche Fehlerbeschreibung und eine Liste aller eingesendeten Einzelkomponenten. Weiterhin benötigen wir die vollständige

### Garantie und Reparaturen

Garantieanfragen werden nur bearbeitet, wenn ein Originalkaufbeleg von einem autorisierten Fachhändler beiliegt, aus dem der Käufer und das Kaufdatum hervorgeht. Sollte sich ein Garantiefall bestätigen wird das Produkt repariert oder ersetzt. Diese Entscheidung obliegt einzig Horizon Hobby.

### Kostenpflichtige Reparaturen

Liegt eine kostenpflichtige Reparatur vor, erstellen wir einen Kostenvoranschlag, den wir Ihrem Händler übermitteln. Die Reparatur wird erst vorgenommen, wenn wir die Freigabe des Händlers erhalten. Der Preis für die Reparatur ist bei Ihrem Händler zu entrichten. Bei kostenpflichtigen Reparaturen werden mindestens 30 Minuten Werkstattzeit und die Rückversandkosten in Rechnung gestellt. Sollten wir nach 90 Tagen keine Einverständniserklärung zur Reparatur vorliegen haben, behalten wir uns vor, das Produkt zu vernichten oder anderweitig zu verwerten.

**ACHTUNG: Kostenpflichtige Reparaturen nehmen wir nur für Elektronik und Motoren vor. Mechanische Reparaturen, besonders bei Hubschraubern und RC-Cars sind extrem aufwendig und müssen deshalb vom Käufer selbst vorgenommen werden.**

## GARANTIE UND SERVICE KONTAKTINFORMATIONEN

LAND DES KAUF	HORIZON HOBBY	TELEFON/E-MAIL ADRESSE	ADRESSE
Europäische Union	Horizon Technischer Service Sales: Horizon Hobby GmbH	service@horizonhobby.de +49 (0) 4121 2655 100	Hanskampring 9 D 22885 Barsbüttel, Germany

## KONFORMITÄTSHINWEISE FÜR DIE EUROPÄISCHE UNION



### EU KONFORMITÄTSERKLÄRUNG

#### Axial Capra UTB18. SLT2 4WD RTR (AXI-1750)

Hiermit erklärt Horizon Hobby, LLC, dass das Gerät den folgenden Richtlinien entspricht: EU-Richtlinie über Niederspannung 2014/35/EU, EU-Richtlinie über elektromagnetische Verträglichkeit 2014/30/EU, EU-Richtlinie über Funkanlagen 2014/53/EU, RoHS 2-Richtlinie 2011/65 / EU, RoHS 3-Richtlinie - Änderung 2011/65 / EU-Anhang II 2015/863.

Der vollständige Text der EU-Konformitätserklärung ist unter folgender Internetadresse abrufbar: <https://www.horizonhobby.com/content/support-render-compliance>.

#### Drahtloser Frequenzbereich / Drahtlose Ausgangsleistung

##### Sender

2403MHz—2480MHz  
16.3dB

##### Empfänger:

2404-2476MHz  
-1.33 dBm

#### Offizieller EU-Hersteller:

Horizon Hobby, LLC  
2904 Research Road  
Champaign, IL 61822 USA

#### Offizieller EU-Importeur:

Horizon Hobby, GmbH  
Hanskampring 9  
22885 Barsbüttel Germany

#### WEEE-HINWEIS:



Dieses Gerät ist gemäß der Europäischen Richtlinie 2012/19/EU über Elektro- und Elektronik-Altgeräte (WEEE) gekennzeichnet. Dieses Symbol weist darauf hin, dass dieses Produkt kein normaler Haushaltsabfall ist, sondern in einer entsprechenden Sammelstelle für Elektro- und Elektronik-Altgeräte entsorgt werden muss.

## VÉHICULE ÉTANCHE AVEC COMPOSANTS ÉLECTRONIQUES ÉTANCHES

Votre nouveau véhicule Horizon Hobby a été conçu et fabriqué en combinant des composants étanches et des composants résistants à l'eau vous permettant d'utiliser ce produit dans plusieurs "Conditions Humides" incluant les flaques d'eau, les ruisseaux, l'herbe humide, la neige et même la pluie.

Bien que le véhicule possède une grande résistance vis-à-vis de l'eau, il n'est pas entièrement étanche et votre véhicule ne doit PAS être utilisé comme un sous-marin. Les différents composants électroniques installés sur le véhicule, comme le contrôleur de vitesse électronique (ESC), le ou les servo(s) et le récepteur sont étanches, cependant la plupart des composants mécaniques résistent aux projections d'eau mais ne doivent pas être immergés.

Les pièces métalliques comme les roulements, les axes de suspension, les vis et les écrous ainsi que les contacts des prises des câbles électriques sont exposés à l'oxydation si vous n'effectuez un entretien supplémentaire après avoir utilisé le produit dans des conditions humides. Pour conserver à long terme les performances de votre véhicule et conserver la garantie, les procédures décrites dans la section « Maintenance en conditions humides » doivent être régulièrement effectuées si vous roulez dans des conditions humides. Si vous ne souhaitez pas effectuer la maintenance supplémentaire requise, vous ne devez pas utiliser le véhicule dans ces conditions.



**ATTENTION** : Un défaut de soin durant l'utilisation et un non-respect des consignes suivantes peut entraîner un dysfonctionnement du produit et/ou annuler la garantie.

### PRÉCAUTIONS GÉNÉRALES

- Lisez avec attention les procédures de maintenance en conditions humides et vérifiez que vous possédez tous les outils nécessaires pour effectuer la maintenance du véhicule.
- Toutes les batteries ne peuvent être utilisées en conditions humides. Consultez la documentation du fabricant de votre batterie avant utilisation. Des précautions doivent être appliquées quand vous utilisez des batteries Li-Po en conditions humides.
- La majorité des émetteurs ne résiste pas aux projections d'eau. Consultez le manuel ou le fabricant de votre émetteur avant utilisation.
- N'utilisez jamais votre émetteur ou votre véhicule sous un orage.
- N'utilisez JAMAIS votre véhicule où il pourrait entrer en contact avec de l'eau salée (Eau de mer ou flaque d'eau sur une route salée), ou de l'eau polluée ou contaminée.

- Une petite quantité d'eau peut réduire la durée de vie du moteur s'il n'est pas certifié étanche ou résistant aux projections d'eau. Si le moteur devient excessivement humide, appliquez légèrement les gaz pour évacuer le maximum d'eau du moteur. Faire tourner à un régime élevé un moteur humide causerait son endommagement rapide.
- L'utilisation en conditions humides peut réduire la durée de vie du moteur. La résistance de l'eau cause des efforts plus importants. Adaptez le rapport de transmission en utilisant un pignon plus petit ou une couronne plus grande. Cela augmentera le couple (et la durée de vie du moteur) quand vous roulez dans la boue, dans les flaques profondes ou n'importe quelle autre condition humide, cela augmente la charge appliquée au moteur.

### MAINTENANCE EN CONDITIONS HUMIDES

- Evacuez l'eau collectée par les pneus en les faisant tourner à haute vitesse. Retirez la carrosserie, retournez le véhicule et donnez des courts coups d'accélérateur plein gaz jusqu'à ce que l'eau soit retirée.



**ATTENTION** : Tenez toujours éloigné des parties en rotation, les mains, les doigts, les outils ou autre objet lâches/pendants.

- Retirez la batterie et séchez ses contacts. Si vous possédez un compresseur d'air ou une bombe d'air comprimé, chassez toute l'humidité qui se trouve dans la prise.
- Retirez les roues du véhicule et rincez-les à l'aide d'un arrosoir pour retirer la boue et la poussière. Evitez de rincer les roulements et la transmission.

**REMARQUE** : N'utilisez jamais un nettoyeur haute-pressure pour nettoyer le véhicule.

- Utilisez un compresseur d'air ou une bombe d'air comprimée pour sécher le véhicule et vous aider à retirer l'eau logée dans les renforcements et les recoins.
- Vaporisez du lubrifiant ou de l'anti-humidité sur les roulements, les vis ou autres pièces métalliques. Ne pas en vaporiser sur le moteur.
- Laissez le véhicule sécher avant de le stocker. L'eau (et l'huile) peuvent continuer à s'écouler durant quelques heures.
- Augmentez la fréquence d'inspection, de démontage et de lubrification des éléments suivants:
  - Les axes de roues et roulements des fusées avant et arrière.
  - Tous les boîtiers de transmissions, pignons et différentiels.
  - Le moteur—nettoyez-le à l'aide d'un aérosol de nettoyant moteur et lubrifiez les paliers à l'aide de lubrifiant pour roulements.

## TABLE DES MATIÈRES

Véhicule étanche avec composants électroniques étanches.....	29	entretien du véhicule.....	37
Table des matières.....	29	SR515 receiver .....	38
Véhicule étanche avec composants électroniques étanches.....	30	SPMXSE1025 ESC .....	38
AVERTISSEMENTS ET PRÉCAUTIONS RELATIFS À LA CHARGE .....	30	Guide de dépannage .....	39
box Contents .....	31	Garantie et réparations.....	40
outils recommandés.....	31	Informations de contact pour garantie et réparation .....	40
Liste de contrôle avant de commencer .....	31	Information IC.....	41
Pièces du véhicule.....	34	Informations de conformité pour l'Union européenne .....	41
Installation des piles de l'émetteur.....	35	Vues éclatées.....	55
Fonctions de l'émetteur .....	35	Liste des pièces.....	58
Installez la batterie du véhicule.....	36	Composants électroniques.....	60
Vérification de la portée du système radio.....	37	Pièces facultatives .....	60

## VÉHICULE ÉTANCHE AVEC COMPOSANTS ÉLECTRONIQUES ÉTANCHES

Votre nouveau véhicule Horizon Hobby a été conçu et fabriqué en combinant des composants étanches et des composants résistants à l'eau vous permettant d'utiliser ce produit dans plusieurs "Conditions Humides" incluant les flaques d'eau, les ruisseaux, l'herbe humide, la neige et même la pluie.

Bien que le véhicule possède une grande résistance vis-à-vis de l'eau, il n'est pas entièrement étanche et votre véhicule ne doit PAS être utilisé comme un sous-marin. Les différents composants électroniques installés sur le véhicule, comme le contrôleur de vitesse électronique (ESC), le ou les servo(s) et le récepteur sont étanches, cependant la plupart des composants mécaniques résistent aux projections d'eau mais ne doivent pas être immergés.

Les pièces métalliques comme les roulements, les axes de suspension, les vis et les écrous ainsi que les contacts des prises des câbles électriques sont exposés à l'oxydation si vous n'effectuez un entretien supplémentaire après avoir utilisé le produit dans des conditions humides. Pour conserver à long terme les performances de votre véhicule et conserver la garantie, les procédures décrites dans la section « Maintenance en conditions humides » doivent être régulièrement effectuées si vous roulez dans des conditions humides. Si vous ne souhaitez pas effectuer la maintenance supplémentaire requise, vous ne devez pas utiliser le véhicule dans ces conditions.



**ATTENTION** : Un défaut de soin durant l'utilisation et un non-respect des consignes suivantes peut entraîner un dysfonctionnement du produit et/ou annuler la garantie.

### PRÉCAUTIONS GÉNÉRALES

- Lisez avec attention les procédures de maintenance en conditions humides et vérifiez que vous possédez tous les outils nécessaires pour effectuer la maintenance du véhicule.
- Toutes les batteries ne peuvent être utilisées en conditions humides. Consultez la documentation du fabricant de votre batterie avant utilisation. Des précautions doivent être appliquées quand vous utilisez des batteries Li-Po en conditions humides.
- La majorité des émetteurs ne résiste pas aux projections d'eau. Consultez le manuel ou le fabricant de votre émetteur avant utilisation.
- N'utilisez jamais votre émetteur ou votre véhicule sous un orage.
- N'utilisez JAMAIS votre véhicule où il pourrait entrer en contact avec de l'eau salée (Eau de mer ou flaque d'eau sur une route salée), ou de l'eau polluée ou contaminée.

- Une petite quantité d'eau peut réduire la durée de vie du moteur s'il n'est pas certifié étanche ou résistant aux projections d'eau. Si le moteur devient excessivement humide, appliquez légèrement les gaz pour évacuer le maximum d'eau du moteur. Faire tourner à un régime élevé un moteur humide causerait son endommagement rapide.
- L'utilisation en conditions humides peut réduire la durée de vie du moteur. La résistance de l'eau cause des efforts plus importants. Adaptez le rapport de transmission en utilisant un pignon plus petit ou une couronne plus grande. Cela augmentera le couple (et la durée de vie du moteur) quand vous roulez dans la boue, dans les flaques profondes ou n'importe quelle autre condition humide, cela augmente la charge appliquée au moteur.

### MAINTENANCE EN CONDITIONS HUMIDES

- Evacuez l'eau collectée par les pneus en les faisant tourner à haute vitesse. Retirez la carrosserie, retournez le véhicule et donnez des courts coups d'accélérateur plein gaz jusqu'à ce que l'eau soit retirée.



**ATTENTION** : Tenez toujours éloigné des parties en rotation, les mains, les doigts, les outils ou autre objet lâches/pendants.

- Retirez la batterie et séchez ses contacts. Si vous possédez un compresseur d'air ou une bombe d'air comprimé, chassez toute l'humidité qui se trouve dans la prise.
- Retirez les roues du véhicule et rincez-les à l'aide d'un arrosoir pour retirer la boue et la poussière. Evitez de rincer les roulements et la transmission.

**REMARQUE** : N'utilisez jamais un nettoyeur haute-pressure pour nettoyer le véhicule.

- Utilisez un compresseur d'air ou une bombe d'air comprimée pour sécher le véhicule et vous aider à retirer l'eau logée dans les renforcements et les recoins.
- Vaporisez du lubrifiant ou de l'anti-humidité sur les roulements, les vis ou autres pièces métalliques. Ne pas en vaporiser sur le moteur.
- Laissez le véhicule sécher avant de le stocker. L'eau (et l'huile) peuvent continuer à s'écouler durant quelques heures.
- Augmentez la fréquence d'inspection, de démontage et de lubrification des éléments suivants:
  - Les axes de roues et roulements des fusées avant et arrière.
  - Tous les boîtiers de transmissions, pignons et différentiels.
  - Le moteur—nettoyez-le à l'aide d'un aérosol de nettoyant moteur et lubrifiez les paliers à l'aide de lubrifiant pour roulements.

## AVERTISSEMENTS ET PRÉCAUTIONS RELATIFS À LA CHARGE



**ATTENTION** : Les instructions et avertissements doivent être scrupuleusement suivis. Une manipulation non appropriée des batteries Li-Po peut provoquer un incendie, des blessures corporelles et/ou des dégâts matériels.

### NE LAISSEZ JAMAIS LA BATTERIE ET LE CHARGEUR SANS SURVEILLANCE DURANT L'UTILISATION.

### NE CHARGEZ JAMAIS LES BATTERIES DURANT LA NUIT.

En manipulant, en chargeant ou en utilisant la batterie Li-Po incluse, vous assumez tous les risques associés aux batteries lithium.

Si la batterie commence à gonfler ou à se dilater, cessez immédiatement de l'utiliser. Si vous étiez en train de la charger ou de la décharger, interrompez la procédure et déconnectez-la. Continuer à utiliser, charger ou décharger une batterie qui gonfle ou se dilate peut provoquer un incendie.

Pour obtenir les meilleurs résultats, entreposez toujours la batterie à température ambiante, dans un endroit sec.

Lorsque vous transportez la batterie ou que vous la stockez temporairement, la température doit toujours être comprise entre 5 et 49 °C.

Ne stockez en aucun cas la batterie dans une voiture ou à un endroit directement exposé à la lumière du soleil. Laissée dans une voiture chaude, la batterie peut se détériorer ou même prendre feu.

Chargez toujours les batteries à distance de tout matériau inflammable. Faites toujours l'inspection de la batterie avant la charge. Déconnectez toujours la batterie après la charge, et laissez le chargeur refroidir entre les charges.

Surveillez toujours en continu la température du pack de batteries au cours de la charge.

UTILISEZ EXCLUSIVEMENT UN CHARGEUR CONÇU SPÉCIFIQUEMENT POUR CHARGER DES BATTERIES Li-Po. Le fait de charger la batterie avec un chargeur non-compatible peut être à l'origine d'un incendie provoquant des blessures corporelles et/ou des dégâts matériels.

Ne déchargez jamais les cellules Li-Po en dessous de 3 V.

Ne couvrez jamais les étiquettes d'avertissement avec des bandes auto-agrippantes.

Ne chargez jamais les batteries sans respecter les niveaux recommandés.

Ne chargez jamais des batteries hors d'usage ou endommagées.

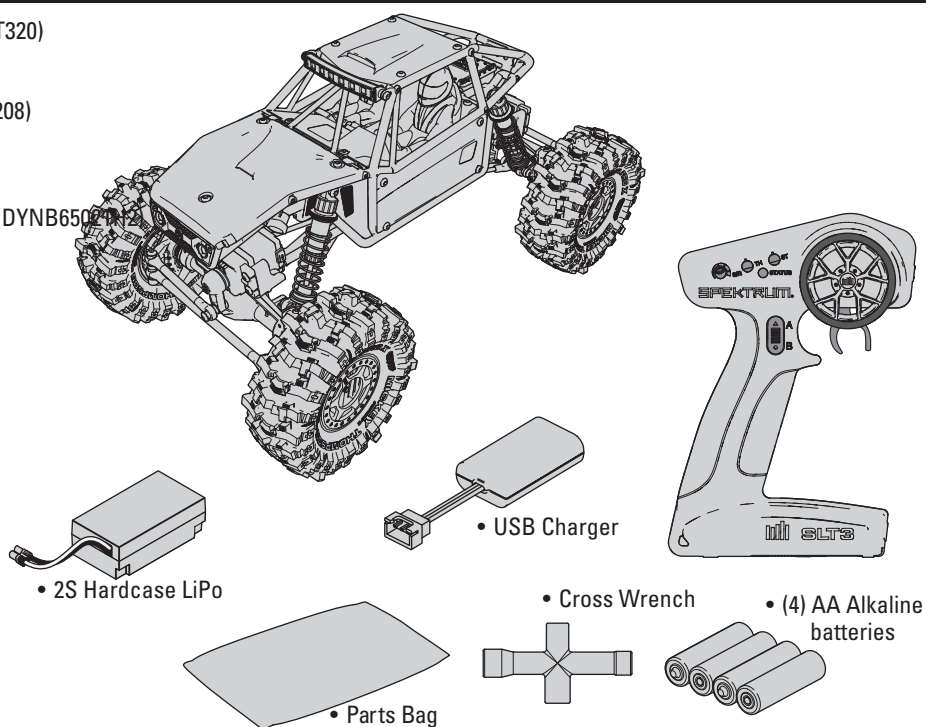
N'essayez jamais de démonter ou de modifier le chargeur.

Ne laissez jamais des mineurs charger des packs de batteries.

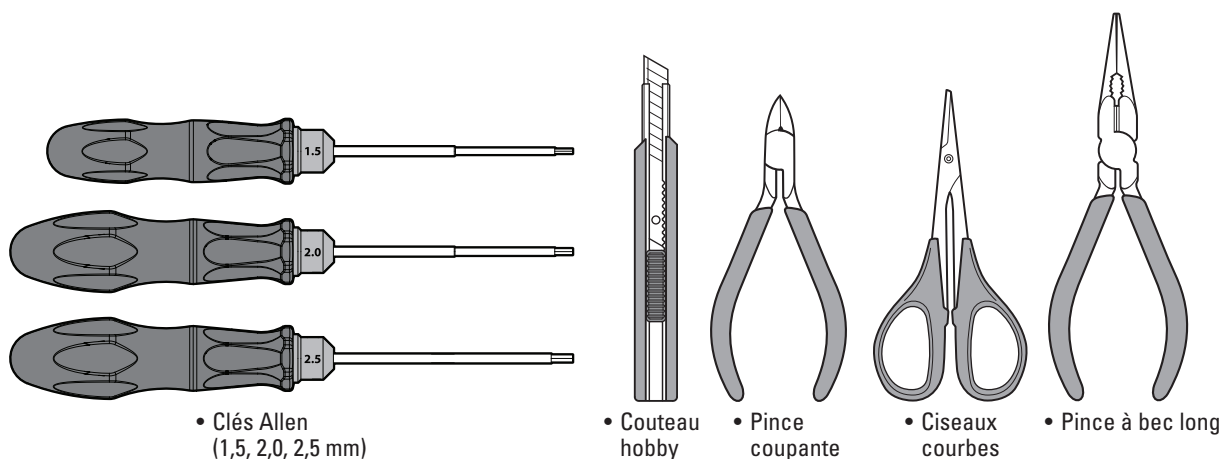
Ne chargez jamais les batteries dans des endroits extrêmement chauds ou froids (la plage de températures recommandées se situe entre 5 et 49 °C) et ne les exposez jamais à la lumière directe du soleil.

## BOX CONTENTS

- Spektrum™ SLT3 2,4 GHz 3 canaux (SPMRSLT320)
  - (4) piles alcalines AA
- Capra™ 4WS UTB18 RTR
  - Moteur à balais Tazer 37-Turn 380 (DYNS1208)
  - Récepteur DSMR SR515 (SPMSR515)
  - Variateur ESC à balais SPMXSE1025
  - (2) Servos (SPMS664)
  - LiPo 7,4 V 650 mAh 2S 20C, à boîtier rigide (DYNB6500)
- Chargeur USB-C Li-Po (SPMXC0040)



## OUTILS RECOMMANDÉS



• Clés Allen  
(1,5, 2,0, 2,5 mm)

• Couteau  
hobby

• Pince  
coupante

• Ciseaux  
courbes

• Pince à bec long

## Liste de contrôle avant de commencer

Lisez le manuel
Familiarisez-vous avec le véhicule et ses composants
Vérifiez que toutes les vis, en particulier les vis de fixation de l'arbre de transmission, ont été bien serrées en usine
Chargez la batterie du véhicule
Installez 4 piles AA dans l'émetteur

Mettez l'émetteur en marche
Installez la batterie du véhicule dans le véhicule
Contrôlez le bon fonctionnement des gaz et de la direction
Vérifiez la portée de votre système radio
Manœuvrez le véhicule, mettez-vous au défi, et AMUSEZ-VOUS !
Effectuez l'entretien nécessaire sur le véhicule

## AVERTISSEMENTS RELATIFS À LA CHARGE USB

**AVERTISSEMENT :** Le manque de prudence lors de l'utilisation de ce produit et le défaut de se conformer aux avertissements suivants peut entraîner un dysfonctionnement du produit, des problèmes électriques, une chaleur excessive, un INCENDIE et, pour finir, des dommages corporels et matériels.

- **NE LAISSEZ JAMAIS DES BATTERIES EN COURS DE CHARGE SANS SURVEILLANCE.**
- **NE CHARGEZ JAMAIS DES BATTERIES TOUTE UNE NUIT.**

- Ne tentez jamais de charger des packs de batteries mortes, endommagées ou mouillées.
- Ne tentez jamais de charger un pack de batteries contenant différents types de batteries.
- Ne laissez jamais des enfants de moins de 14 ans charger les packs de batteries.
- Ne chargez jamais les batteries dans des endroits extrêmement chauds ou froids et ne les exposez pas à la lumière directe du soleil.
- Ne chargez jamais une batterie si le câble est pincé ou court-circuité.
- Ne branchez jamais le chargeur si le câble d'alimentation a été pincé ou court-circuité.
- Ne tentez jamais de démonter le chargeur ou d'utiliser un chargeur endommagé.
- Utilisez toujours uniquement des batteries rechargeables conçues pour l'utilisation avec ce type de chargeur.
- Inspectez toujours la batterie avant le chargement.
- Maintenez toujours la batterie à l'écart des matériaux pouvant être affectés par la chaleur.
- Surveillez toujours la zone de chargement et gardez toujours un extincteur disponible.
- Stoppez toujours le processus de chargement si la batterie devient chaude au toucher ou commence à se déformer (gonflement).
- Branchez toujours les câbles positifs (+) et négatifs (-) correctement.
- Débranchez toujours la batterie après le chargement et laissez le chargeur refroidir entre les charges.
- Chargez toujours dans une zone bien aérée.
- Interrompez toujours tous les processus et contactez Horizon Hobby si le produit fonctionne mal.
- Chargez uniquement les batteries rechargeables. Si vous chargez des batteries non rechargeables, celles-ci pourraient exploser et provoquer des dommages corporels et/ou matériels.
- La prise USB sera installée près de l'équipement et sera facilement accessible.

**ATTENTION :** Assurez-vous toujours que la batterie chargée est conforme aux spécifications de ce chargeur. Au cas contraire, cela peut occasionner une chaleur excessive et d'autres mauvais fonctionnements associés du produit, ce qui peut causer des dommages corporels ou matériels pour l'utilisateur. Veuillez contacter Horizon Hobby ou un revendeur autorisé pour les questions de compatibilité.

**ATTENTION :** Si, à n'importe quel moment au cours de la charge, le pack de batterie devient chaud ou commence à gonfler, débranchez la batterie immédiatement et arrêtez le processus de chargement, car les batteries peuvent provoquer un incendie, des dommages collatéraux et des blessures.

## CHARGEZ LA BATTERIE DU VÉHICULE

1. Branchez le chargeur à un port d'alimentation USB adapté. Le chargeur fonctionne avec la plupart des sources d'alimentation mobiles 5 V ou chargeurs de smartphones, avec une puissance de sortie minimale d'un ampère.

**REMARQUE :** charger la batterie depuis un port d'alimentation USB avec une puissance de sortie inférieure à 1 ampère peut produire de la chaleur.

2. Branchez le câble du chargeur à la batterie, tenez compte de la polarité adéquate. Il faut environ 45 à 60 minutes pour charger une batterie entièrement vide. Les temps de charge peuvent varier en fonction de la source d'alimentation.
3. Débranchez la batterie du chargeur une fois le cycle de charge terminé.
4. Débranchez le chargeur de sa source d'alimentation.

**ATTENTION :** Une fois la charge terminée, débranchez immédiatement la batterie. Ne laissez jamais une batterie branchée au chargeur.

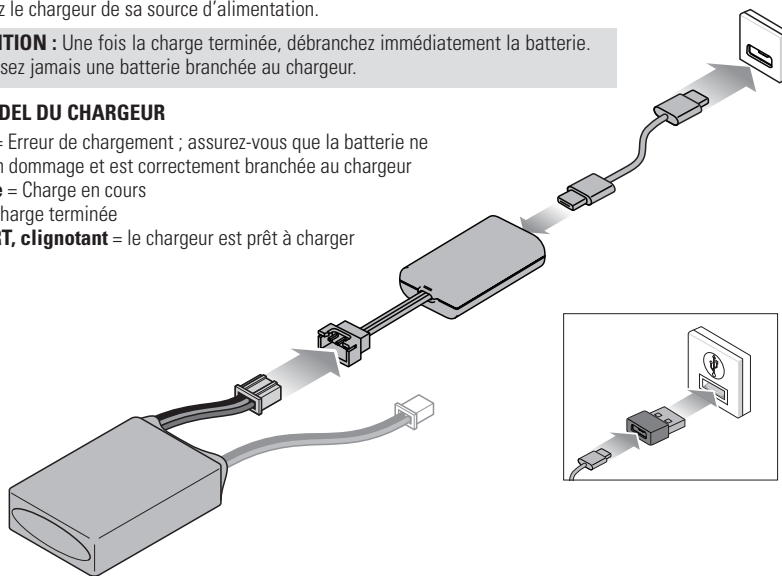
### INDICATIONS DEL DU CHARGEUR

**ROUGE, fixe** = Erreur de chargement ; assurez-vous que la batterie ne présente aucun dommage et est correctement branchée au chargeur

**ORANGE, fixe** = Charge en cours

**VERT, fixe** = Charge terminée

**ORANGE/VERT, clignotant** = le chargeur est prêt à charger





## FONCTIONS DE L'ÉMETTEUR

### Spécifications

**Alimentation électrique :** 4 piles AA

**Fréquence de fonctionnement :** 2,4 GHz

**Puissance d'émission :** <100 mw

**Protocole de contrôle :** SLT

**Contrôle :** direction et gaz/freinage proportionnels avec des boutons de compensateur, troisième canal avec interrupteur à rappel à 3 positions

**Fonctions auxiliaires :** interrupteur de fin de course des gaz à 3 positions, bouton du taux de direction pour modifier la course de direction à la volée, course de servo programmable pour la direction et les Gaz/Inversé.

**A. Compensateur des gaz** Ajuste le point neutre des gaz

**B. Compensateur de direction** Ajuste le point central de direction. En général, le compensateur de direction est ajusté jusqu'à ce que le véhicule aille droit.

### C. DEL

- Témoin en rouge fixe : indique que l'appareil est sous tension et que l'alimentation fournie par les piles est adéquate
- Témoin clignotant en rouge : indique que la tension des piles est à un niveau trop bas. Changez les piles

### D. Volant

### E. Gaz/Inversé

**F. Taux de direction** Bouton à la volée pour l'ajustement de la course de direction

### G. Mode de direction

Commutateur à 3 positions.

### H. Limite des gaz

Limite la sortie des gaz à 50/75/100 %.

Sélectionnez 50 % ou 75 % pour les pilotes les moins expérimentés ou lorsque vous pilotez le véhicule dans une petite zone.

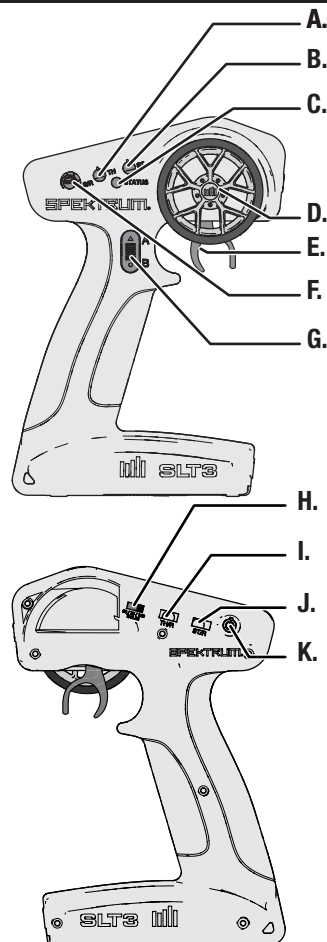
### I. Inversion du servo des gaz (TH)

Déplacez le commutateur pour inverser le canal des gaz

### J. Inversion du servo de direction (ST)

Déplacez le commutateur pour inverser le canal de direction

### K. Bouton d'alimentation

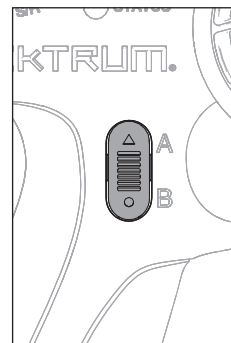


## MODES DE DIRECTION ARRIÈRE

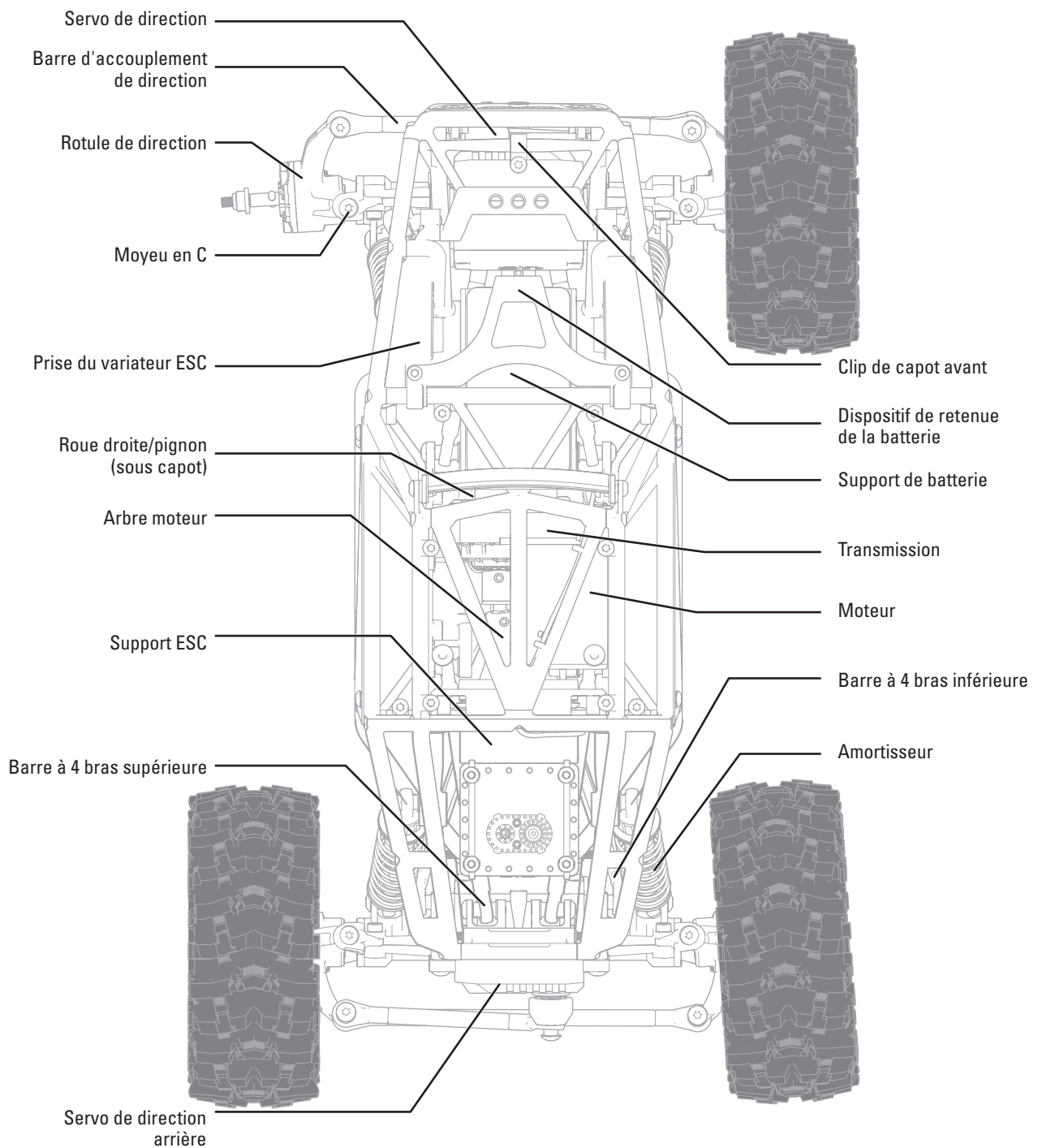
L'Capra 4WS dispose à la fois d'une direction avant et d'une direction arrière. Il existe trois modes de direction pour gérer la façon dont la direction arrière répond au volant. Le mode de direction est sélectionné à partir de l'émetteur à l'aide du commutateur à trois positions.

**IMPORTANT :** Le compensateur de direction agit uniquement sur les roues avant.

- Dans tous les modes, les roues avant fonctionnent normalement.
- La position haute est le mode « crabe » : les roues arrière tournent dans la même direction que les roues avant, ce qui permet à l'ensemble du véhicule de se déplacer latéralement.
- La position basse est le mode « miroir » : les roues arrière tournent dans la direction opposée à celle des roues avant pour réduire le rayon de virage.
- La position centrale est le mode « direction avant uniquement » : les roues arrière ne tournent pas.
- Appuyez sur le haut ou le bas du commutateur à trois positions pour quitter le mode « direction avant uniquement » et passer à un autre mode.
- Lorsque vous passez de l'un des autres deux modes de direction, vous devez d'abord revenir au mode « direction avant uniquement ».



# PIÈCES DU VÉHICULE



## INSTALLATION DES PILES DE L'ÉMETTEUR

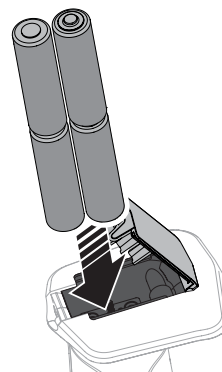
Cet émetteur nécessite 4 piles AA.

1. Enlevez le couvercle du compartiment à piles de l'émetteur.
2. Mettez en place les piles AA incluses comme indiqué.
3. Remettez le couvercle du compartiment à piles.

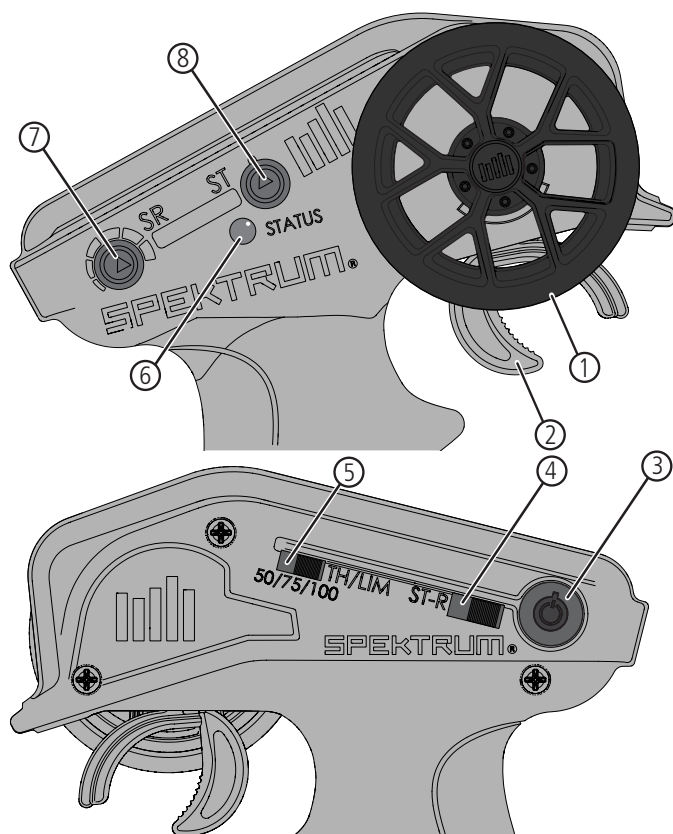
**ATTENTION** : n'enlevez jamais les piles de l'émetteur pendant que le modèle est allumé. Cela peut provoquer la perte de contrôle du modèle et des dommages corporels ou matériels.

**ATTENTION** : Si vous utilisez des piles rechargeables, ne chargez que ce type de pile. Si vous chargez des batteries non rechargeables, celles-ci pourraient exploser et provoquer des dommages corporels et/ou matériels.

**ATTENTION** : risque d'explosion si la pile est remplacée par une pile de type incorrect. Mettez les piles usagées au rebut conformément aux réglementations nationales.

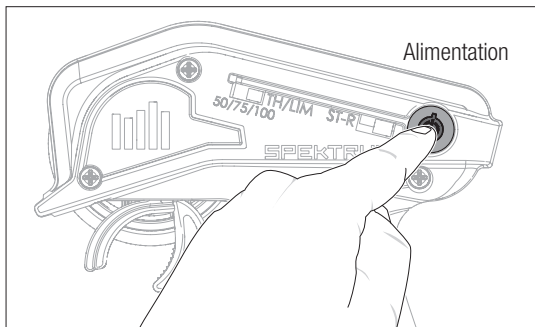


## FONCTIONS DE L'ÉMETTEUR

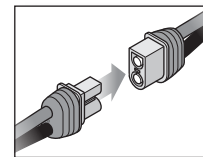
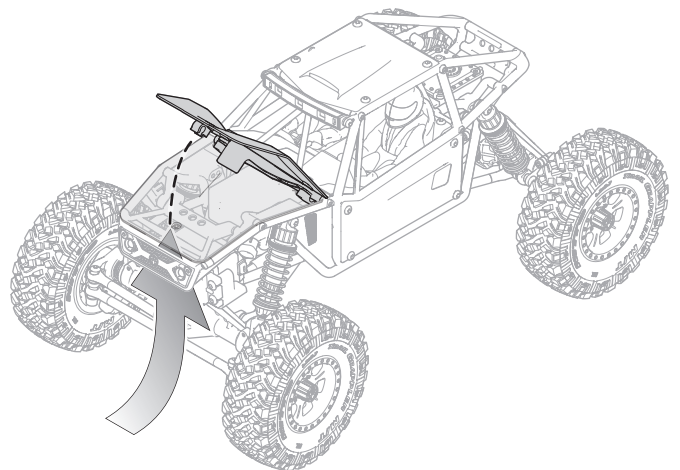


- 1. Volant** Contrôle la direction (gauche/droite) du modèle
- 2. Commande des gaz** Contrôle la vitesse et la direction (avant/frein/arrière) du modèle
- 3. Bouton d'alimentation** Allume/éteint
- 4. Inversion du servo de direction (ST-R)**  
Inverse le canal de direction
- 5. Limite des gaz** Limite la sortie des gaz à 50/75/100 %  
Sélectionnez 50 % ou 75 % pour les pilotes moins expérimentés ou lorsque vous pilotez le véhicule dans une petite zone
- 6. Témoins**  
**Témoin en rouge fixe**— indique la connectivité radio et une alimentation de batterie appropriée  
**Témoin clignotant en rouge**— indique que la tension de la batterie est à un niveau extrêmement bas. Remplacez les piles
- 7. Taux de direction**  
Ajuste le point d'extrémité de direction.
- 8. Compensateur de direction**  
Ajuste le point central de direction.

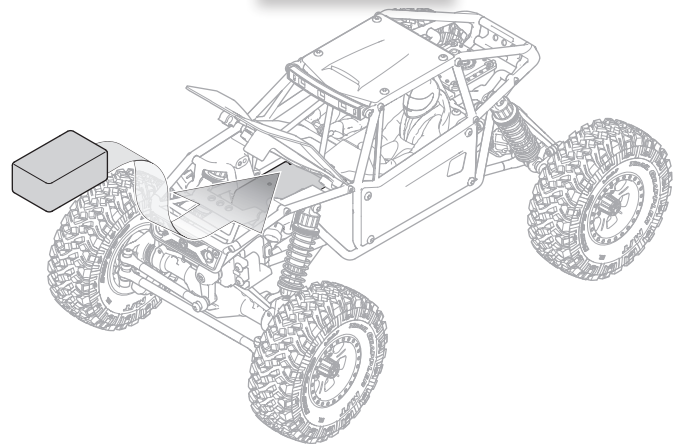
## INSTALLEZ LA BATTERIE DU VÉHICULE



1. Allumez l'émetteur.
2. Appuyez vers le haut sur le capot en se positionnant derrière le pare-chocs avant pour déverrouiller le loquet du capot. Soulevez le capot.

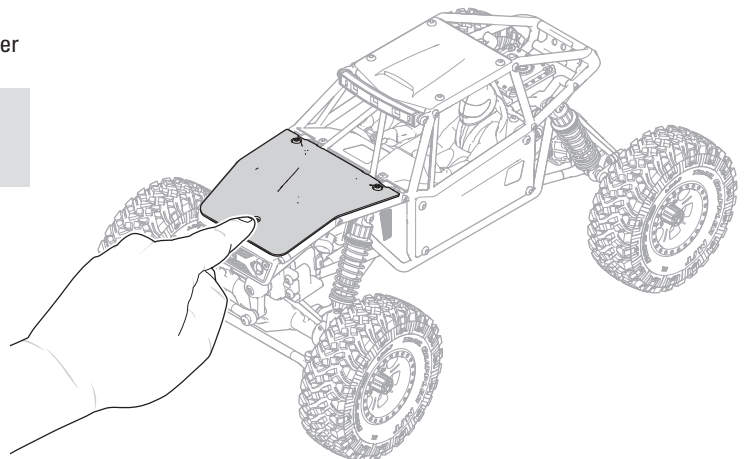


3. Raccordez la batterie au variateur ESC.



4. Installez la batterie dans le support de batterie.
5. Fermez le capot et appuyez vers le bas au centre pour le verrouiller sur le châssis. La batterie est fixée en place par le capot.

**REMARQUE :** débranchez toujours la batterie du variateur ESC avant d'éteindre l'émetteur. Le non-respect de cette consigne peut entraîner une perte de contrôle du véhicule.



## VÉRIFICATION DE LA PORTÉE DU SYSTÈME RADIO

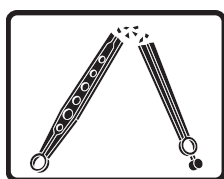
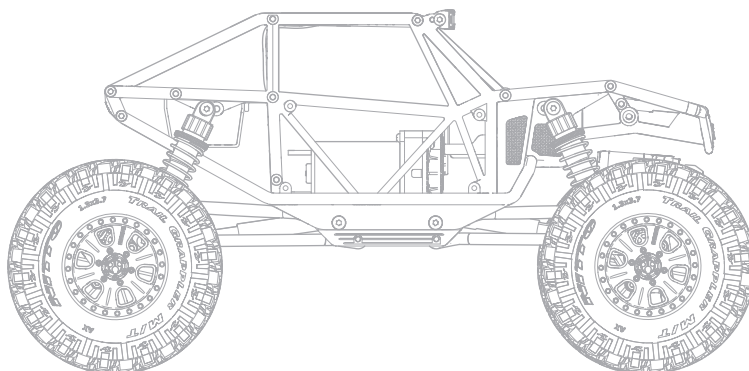
Contrôlez le système radio pour vous assurer de son bon fonctionnement et de sa portée adaptée avant d'utiliser le véhicule.

1. Allumez l'émetteur.
2. Connectez la batterie dans le véhicule.
3. Demandez à un ami de tenir le véhicule tout en gardant les mains et les vêtements amples à l'écart des pièces en mouvement.
4. Éloignez-vous jusqu'à la distance maximale prévue d'utilisation du véhicule.
5. Tournez le volant de chaque côté et faites fonctionner l'accélérateur en marche avant et arrière, en vous assurant qu'il n'y a aucun comportement irrégulier.
6. Si vous constatez un comportement irrégulier, NE PAS utiliser le véhicule. Appelez le service clientèle pour obtenir de l'aide.

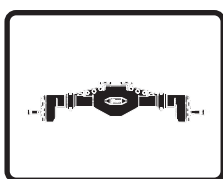


## ENTRETIEN DU VÉHICULE

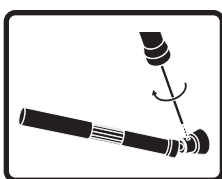
Tout comme une voiture ou un camion grandeur nature, votre véhicule télécommandé doit être entretenu régulièrement pour conserver une performance optimale. L'entretien préventif permet également d'éviter toute casse superflue pouvant entraîner des réparations coûteuses. Voici ci-dessous quelques suggestions pour entretenir correctement votre véhicule.



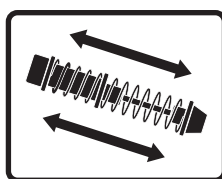
Remplacez les pièces visiblement tordues ou cassées



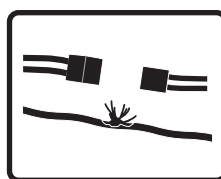
Contrôlez l'usure des joints à rotule dans la tringlerie de direction et de suspension (remplacez si nécessaire)



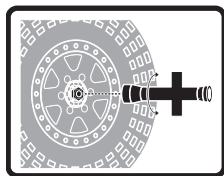
Contrôlez les vis de fixation de l'arbre de transmission et appliquez du frein-filet si nécessaire



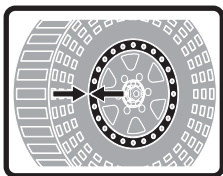
Vérifiez que les amortisseurs absorbent efficacement les chocs et de façon fluide



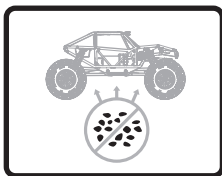
Assurez-vous qu'il n'y a aucune connexion lâche ou aucun fil effiloché



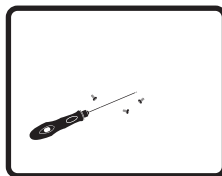
Vérifiez que les écrous de roue sont bien serrés



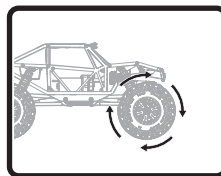
Assurez-vous que les talons de roue sont toujours fermement collés sur toute la circonférence de la jante



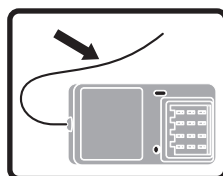
Assurez-vous que le châssis est exempt de crasse et de débris



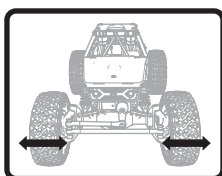
Vérifiez qu'il n'y a aucune vis desserrée sur le châssis, en particulier les vis de blocage des rotules, des moyeux en C et des essieux



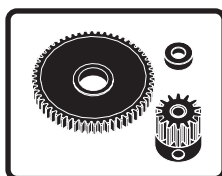
Vérifiez que la transmission fonctionne de façon fluide, sans grippages



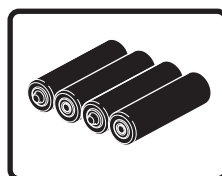
Vérifiez que l'antenne du récepteur n'est pas endommagée



Vérifiez que la direction n'est pas grippée



Vérifiez que les engrenages à pignons et les engrenages cylindriques ne sont pas endommagés



Remplacez les piles de l'émetteur lorsque l'émetteur vous y invite, comme décrit dans la section Fonctions de l'émetteur

## RÉCEPTEUR SR515

### AFFECTATION

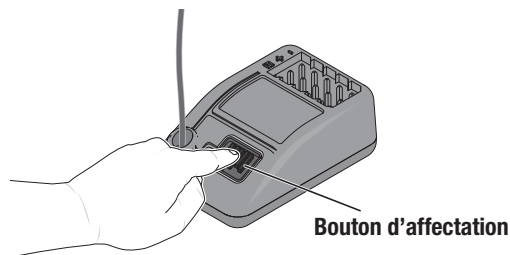
L'affectation correspond au processus permettant d'établir une liaison électronique entre l'émetteur et le récepteur. L'émetteur et le récepteur inclus sont affectés en usine. Si une réaffectation est nécessaire, procédez comme suit :

**REMARQUE** : Maintenez toujours les parties du corps ainsi que les vêtements et autres éléments desserrés loin des hélices.

**IMPORTANT** : Si vous utilisez un autre récepteur/système radio, suivez les instructions d'affectation fournies avec ce récepteur.

1. Mettez le récepteur sous tension et appuyez rapidement sur le bouton d'affectation trois fois (en 1,5 seconde). La DEL orange commencera à clignoter avec une pause.
2. Placez les compensateurs et les positions de commande sur les réglages de sécurité intégrée souhaités, et allumez l'émetteur SLT3.

3. Lorsque la DEL orange de l'émetteur SLT3 reste allumée, celui-ci est connecté au récepteur SR515.

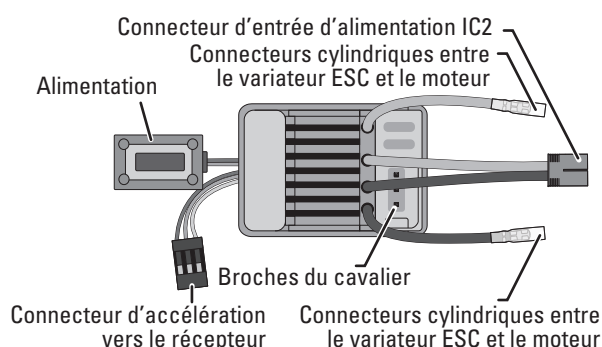


Bouton d'affectation

## VARIATEUR ESC SPMXSE1025

Type	À balais
Constant/Crête	25 A/100 A
Fonction	Avant/Arrière
Type de véhicule	Crawler à l'échelle 1/18
Fonctions en option	Chimie de la batterie ajustée par cavalier
Type de batterie/tension d'entrée	Li-Po 2-3S ou Ni-MH 5-9
Type de moteur recommandé	Moteur à balais taille 270-380
Sortie BEC	6 V/4 A (mode commutation)
Dimensions	34 mm x 24 mm x 14 mm
Poids	28 g
Connecteur de batterie	Connecteur IC2™
Connecteur du moteur	Connecteurs cylindriques femelles de 4 mm

### SCHÉMA DE BRANCHEMENT



**REMARQUE** : débranchez toujours la batterie du variateur ESC lorsque vous avez terminé d'utiliser votre véhicule. Si vous laissez la batterie connectée avec l'interrupteur d'alimentation en position OFF, le variateur ESC continue de tirer du courant lorsqu'il est branché à la batterie ; celle-ci pourrait alors s'endommager par décharge excessive.

**REMARQUE** : ne branchez pas une batterie de récepteur dédiée aux ports de servo ou de programmation. Lorsque le variateur ESC/récepteur est sous tension, il alimente les ports de servo en courant stabilisé de 6V à partir de la batterie principale. Si une batterie de récepteur dédiée est connectée aux ports de servo, le variateur ESC/récepteur risque de s'endommager.

### ÉTALONNAGE DU VARIATEUR ESC ET DE L'ÉMETTEUR

Lors de l'utilisation d'un nouveau variateur ESC, il est important de l'étalonner afin que le variateur ESC s'adapte à la plage d'accélération de votre émetteur. Si vous installez un nouveau système radio ou modifiez les valeurs d'accélération/de freinage de votre émetteur, vous devez à nouveau procéder à l'étalonnage du variateur ESC. Si vous n'étalonnez pas le variateur ESC avec votre système radio, le variateur ESC ne fonctionnera pas correctement.

1. Allumez l'émetteur. Vérifier que le commutateur de limitation des gaz de l'émetteur est réglé sur 100 %.
2. Branchez une batterie au variateur ESC.
3. Laissez la commande d'accélérateur en position neutre et allumez le variateur ESC.  
Attendez 3 secondes. Le variateur ESC termine la détection de l'accélérateur.

### INDICATEUR DEL

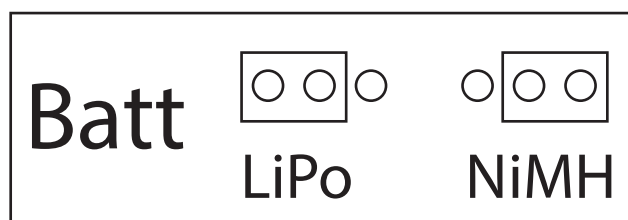
Lors de la mise sous tension du variateur ESC, la DEL clignote pour indiquer son état.

En cours de service	État des témoins DEL
Position neutre de l'accélérateur	OFF (Arrêt)
Accélération partielle vers l'avant	Clignotement rapide
Position de plein régime	Fixe
Accélération partielle vers l'arrière	Clignotement rapide
Position arrière complet	Fixe
Tension de batterie faible	Clignotement rapide
Surchauffe	Clignotement rapide

### SÉLECTION DU CAVALIER

Le variateur ESC de ce véhicule utilise un cavalier pour définir le type de batterie. Défini sur le type LiPo pour la batterie incluse.

- Si vous souhaitez régler le type de batterie en mode LiPo, branchez le cavalier sur les deux broches gauches de l'embase de la batterie. Le mode Li-Po est le mode par défaut.
- Si vous souhaitez régler le type de batterie sur le mode NiMH, branchez le cavalier sur les deux broches de droite de l'embase de la batterie.



## GUIDE DE DÉPANNAGE

PROBLÈME	CAUSE POSSIBLE	SOLUTION
Le système ne se connecte pas	L'émetteur et le récepteur sont trop proches	Éloignez l'émetteur d'environ 2 à 4 m du récepteur
	Vous vous trouvez à proximité d'objets métalliques	Déplacez-vous dans une zone contenant moins de métal
	Le récepteur est affecté à la mémoire d'un modèle différent	Assurez-vous que la mémoire du bon modèle est active dans votre émetteur
	Votre émetteur a été placé en mode affectation et n'est plus affecté à votre récepteur	Réaffectez l'émetteur et le récepteur, puis recalibrez
Le récepteur passe en mode sécurité intégrée à une courte distance de l'émetteur	Vérifiez que l'antenne du récepteur n'est pas endommagée	Assurez-vous que l'antenne de votre récepteur est protégée et placée aussi haut que possible Remplacez le récepteur ou contactez l'assistance produit de Horizon
Le récepteur cesse de répondre en cours de service	Faible tension de la batterie du récepteur. Si la tension de la batterie est faible, il est possible qu'elle tombe provisoirement en dessous de 3,5 V, entraînant une baisse de tension du récepteur, puis une reconnexion	Chargez la batterie du récepteur ou du véhicule. Les récepteurs Spektrum nécessitent une tension de service minimale de 3,5 V
	Fils ou connecteurs desserrés ou endommagés entre la batterie et le récepteur	Vérifiez les fils et la connexion entre la batterie et le récepteur. Réparez ou remplacez les fils et/ou les connecteurs
Le véhicule ne bouge pas	Les piles ne sont pas installées correctement dans l'émetteur	Assurez-vous que les piles sont correctement installées dans l'émetteur
	Batterie faible ou absente dans le véhicule	Installez une batterie venant d'être chargée dans le véhicule
	Moteur endommagé	Remplacez le moteur
	Câblage effiloché ou cassé	Remplacez tout fil endommagé
	Le variateur ESC est coupé par le circuit de protection contre la surchauffe	Laissez le variateur ESC refroidir complètement
Perte de contrôle du véhicule	Mauvais placement de l'antenne	Assurez-vous que l'antenne de l'émetteur n'est pas bloquée et que l'antenne du récepteur est bien placée
	Batteries faibles ou absentes dans l'émetteur ou le véhicule	Installez une batterie venant d'être chargée dans le véhicule et des piles neuves dans l'émetteur
	Mauvaise position neutre ou du compensateur	Ajustez le compensateur de direction
	Mauvaise connexion du récepteur et/ou de la batterie	Contrôlez toutes les connexions du récepteur et de la batterie
La fonction de direction et/ou des gaz est inversée	La course du servo est inversée au niveau de l'émetteur	Mettez le commutateur d'inversion de servo de l'émetteur à la bonne position
	Les câbles du moteur sont mal connectés	Vérifiez que tous les câbles du moteur sont bien connectés et sont à la bonne polarité
Variateur ESC allumé - Aucune fonction moteur, tonalité audible ou DEL	Problème de batterie/connexion	Rechargez/remplacez la batterie. Fixez tous les branchements
	Variateur/commutateur ESC endommagé	Réparez/remplacez le variateur/commutateur ESC
	Moteur endommagé	Réparez/remplacez
Moteur- S'arrête et la DEL clignote	Protection contre les baisses de tension	Lorsque la DEL du variateur ESC clignote, rechargez/remplacez la batterie
	Protection contre la surchauffe	Lorsque la DEL clignote, laissez le moteur/variateur ESC refroidir, modifiez la configuration ou l'engrenage pour éviter une surchauffe
Moteur- Accélère régulièrement	Problème de batterie	Réparez les fils endommagés/remplacez la batterie
	Engrenage incorrect	Ajustez/remplacez l'engrenage
	Moteur usé ou endommagé	Réparez/remplacez le moteur
Moteur- Ne tourne pas de façon continue en réponse à une accélération	Variateur ESC/moteur endommagé	Réparez/remplacez les fils ou le moteur/variateur ESC
Moteur- Ralentit mais ne s'arrête pas	Calibrage incorrect de l'émetteur/du variateur ESC	Réglez le débattement des gaz/les autres paramètres des gaz sur l'émetteur/le variateur ESC. Répétez la procédure de calibrage du variateur ESC
Servo de direction- Fonctionne; le moteur ne tourne pas	Moteur endommagé	Testez le moteur en dehors du système du véhicule, réparez/remplacez le moteur selon le besoin
	Calibrage incorrect de l'émetteur/du variateur ESC	Réglez le débattement des gaz/les autres paramètres des gaz sur l'émetteur/le variateur ESC. Répétez la procédure de calibrage du variateur ESC
Direction/moteur- ne fonctionne pas	Tension de batterie faible	Rechargez/remplacez
	Mémoire du modèle incorrect sélectionnée sur l'émetteur	Sélectionnez les bons paramètres de modèle sur votre émetteur ; consultez le manuel de l'émetteur et/ou du récepteur
	Récepteur non affecté à l'émetteur	Affectez l'émetteur au récepteur ; consultez le manuel de l'émetteur et/ou du récepteur
Véhicule- Ne fonctionne pas à pleine vitesse	Problème de batterie	Rechargez/remplacez
	Calibrage incorrect de l'émetteur/du variateur ESC	Réglez le débattement des gaz/les autres paramètres des gaz sur l'émetteur/le variateur ESC. Répétez la procédure de calibrage du variateur ESC

## GARANTIE ET RÉPARATIONS

### Durée de la garantie

Garantie exclusive - Horizon Hobby, LLC (Horizon) garantit que le Produit acheté (le « Produit ») sera exempt de défauts matériels et de fabrication à sa date d'achat par l'Acheteur. La durée de garantie correspond aux dispositions légales du pays dans lequel le produit a été acquis. La durée de garantie est de 6 mois et la durée d'obligation de garantie de 18 mois à l'expiration de la période de garantie.

### Limitations de la garantie

- La garantie est donnée à l'acheteur initial (« Acheteur ») et n'est pas transférable. Le recours de l'acheteur consiste en la réparation ou en l'échange dans le cadre de cette garantie. La garantie s'applique uniquement aux produits achetés chez un revendeur Horizon agréé. Les ventes faites à des tiers ne sont pas couvertes par cette garantie. Les revendications en garantie seront acceptées sur fourniture d'une preuve d'achat valide uniquement. Horizon se réserve le droit de modifier les dispositions de la présente garantie sans avis préalable et révoque alors les dispositions de garantie existantes.
- Horizon n'endosse aucune garantie quant à la vendabilité du produit ou aux capacités et à la forme physique de l'utilisateur pour une utilisation donnée du produit. Il est de la seule responsabilité de l'acheteur de vérifier si le produit correspond à ses capacités et à l'utilisation prévue.
- Recours de l'acheteur – Il est de la seule discrétion d'Horizon de déterminer si un produit présentant un cas de garantie sera réparé ou échangé. Ce sont là les recours exclusifs de l'acheteur lorsqu'un défaut est constaté.

Horizon se réserve la possibilité de vérifier tous les éléments utilisés et susceptibles d'être intégrés dans le cas de garantie. La décision de réparer ou de remplacer le produit est du seul ressort d'Horizon. La garantie exclut les défauts esthétiques ou les défauts provoqués par des cas de force majeure, une manipulation incorrecte du produit, une utilisation incorrecte ou commerciale de ce dernier ou encore des modifications de quelque nature qu'elles soient.

La garantie ne couvre pas les dégâts résultant d'un montage ou d'une manipulation erronés, d'accidents ou encore du fonctionnement ainsi que des tentatives d'entretien ou de réparation non effectuées par Horizon. Les retours effectués par le fait de l'acheteur directement à Horizon ou à l'une de ses représentations nationales requièrent une confirmation écrite.

### Limitation des dommages

Horizon ne saurait être tenu pour responsable de dommages conséquents directs ou indirects, de pertes de revenus ou de pertes commerciales, liés de quelque manière que ce soit au produit et ce, indépendamment du fait qu'un recours puisse être formulé en relation avec un contrat, la garantie ou l'obligation de garantie. Par ailleurs, Horizon n'acceptera pas de recours issus d'un cas de garantie lorsque ces recours dépassent la valeur unitaire du produit. Horizon n'exerce aucune influence sur le montage, l'utilisation ou la maintenance du produit ou sur d'éventuelles combinaisons de produits choisies par l'acheteur. Horizon ne prend en compte aucune garantie et n'accepte aucun recours pour les blessures ou les dommages pouvant en résulter. Horizon Hobby ne saurait être tenu responsable d'une utilisation ne respectant pas les lois, les règles ou réglementations en vigueur.

En utilisant et en montant le produit, l'acheteur accepte sans restriction ni réserve toutes les dispositions relatives à la garantie figurant dans le présent document. Si vous n'êtes pas prêt, en tant qu'acheteur, à accepter ces dispositions en relation avec l'utilisation du produit, nous vous demandons de restituer au vendeur le produit complet, non utilisé et dans son emballage d'origine.

### Indications relatives à la sécurité

Ceci est un produit de loisirs perfectionné et non un jouet. Il doit être utilisé avec précaution et bon sens et nécessite quelques aptitudes mécaniques ainsi que mentales. L'incapacité à utiliser le produit de manière sûre et raisonnable peut provoquer des blessures et des dégâts matériels conséquents. Ce produit n'est pas destiné à être utilisé par des enfants sans la surveillance par un tuteur. La notice d'utilisation contient des indications relatives à la sécurité ainsi que des indications concernant la maintenance et le fonctionnement du produit. Il est absolument indispensable de lire et de comprendre ces indications avant la première mise en service. C'est uniquement ainsi qu'il sera possible d'éviter une manipulation erronée et des accidents entraînant des blessures et des dégâts. Horizon Hobby ne saurait être tenu responsable d'une utilisation ne respectant pas les lois, les règles ou réglementations en vigueur.

### Questions, assistance et réparations

Votre revendeur spécialisé local et le point de vente ne peuvent effectuer une estimation d'éligibilité à l'application de la garantie sans avoir consulté Horizon. Cela vaut également pour les réparations sous garantie. Vous voudrez bien, dans un tel cas, contacter le revendeur qui conviendra avec Horizon d'une décision appropriée, destinée à vous aider le plus rapidement possible.

### Maintenance et réparation

Si votre produit doit faire l'objet d'une maintenance ou d'une réparation, adressez-vous soit à votre revendeur spécialisé, soit directement à Horizon. Emballez le produit soigneusement. Veuillez noter que le carton d'emballage d'origine ne suffit pas, en règle générale, à protéger le produit des dégâts pouvant survenir pendant le transport. Faites appel à un service de messagerie proposant une fonction de suivi et une assurance, puisque Horizon ne prend aucune responsabilité pour l'expédition du produit jusqu'à sa réception acceptée. Veuillez joindre une preuve d'achat, une description détaillée des défauts ainsi qu'une liste de tous les éléments distincts envoyés. Nous avons de plus besoin d'une adresse complète, d'un numéro de téléphone (pour demander des renseignements) et d'une adresse de courriel.

### Garantie et réparations

Les demandes en garantie seront uniquement traitées en présence d'une preuve d'achat originale émanant d'un revendeur spécialisé agréé, sur laquelle figurent le nom de l'acheteur ainsi que la date d'achat. Si le cas de garantie est confirmé, le produit sera réparé. Cette décision relève uniquement d'Horizon Hobby.

### Réparations payantes

En cas de réparation payante, nous établissons un devis que nous transmettons à votre revendeur. La réparation sera seulement effectuée après que nous ayons reçu la confirmation du revendeur. Le prix de la réparation devra être acquitté au revendeur. Pour les réparations payantes, nous facturons au minimum 30 minutes de travail en atelier ainsi que les frais de réexpédition. En l'absence d'un accord pour la réparation dans un délai de 90 jours, nous nous réservons la possibilité de détruire le produit ou de l'utiliser autrement.

**ATTENTION:** Nous n'effectuons de réparations payantes que pour les composants électroniques et les moteurs. Les réparations touchant à la mécanique, en particulier celles des hélicoptères et des voitures radiocommandées, sont extrêmement coûteuses et doivent par conséquent être effectuées par l'acheteur lui-même.

10/15

## INFORMATIONS DE CONTACT POUR GARANTIE ET RÉPARATION

PAYS D'ACHAT	HORIZON HOBBY	NUMÉRO DE TÉLÉPHONE/E-MAIL	ADRESSE
Union européenne	Horizon Technischer Service Sales: Horizon Hobby GmbH	service@horizonhobby.eu +49 (0) 4121 2655 100	Hanskampring 9 D 22885 Barsbüttel, Germany



## INFORMATION IC

CAN ICES-3 (B)/NMB-3(B)

TRANSMITTER IC ID: 6157A-SPMSLT300

VEHICLE IC ID: 6157A-SRIRVINGV1

Ce dispositif contient un/des émetteur(s)/récepteur(s) non soumis à licence conforme(s) aux CNR d'Innovation, Sciences et Développement économique Canada. Son utilisation est soumise aux deux conditions suivantes :

1. Cet appareil ne doit pas causer d'interférences.
2. Cet appareil doit accepter toutes les interférences, y compris celles pouvant entraîner un dysfonctionnement.

## INFORMATIONS DE CONFORMITÉ POUR L'UNION EUROPÉENNE

### CE EU COMPLIANCE STATEMENT:

**Axial Capra UTB18. SLT2 4WD RTR (AXI-1750)**

Par la présente, Horizon Hobby, LLC déclare que cet appareil est conforme aux directives suivantes : Directive basse tension 2014/35/UE, Directive CEM 2014/30/UE, Directive relative aux équipements radioélectriques 2014/53/UE, Directive RoHS 2 2011/65/UE, Directive RoHS 3 - Modifiant 2011/65/UE Annexe II 2015/863.

Le texte complet de la déclaration de conformité UE est disponible à l'adresse Internet suivante : <https://www.horizonhobby.com/content/support-render-compliance>.

### Gamme de fréquences sans fil / Puissance de sortie sans fil

#### Émetteur

2403MHz—2480MHz  
16.3dB

#### Récepteur

2404-2476MHz  
-1.33 dBm

### Fabricant officiel de l'UE :

Horizon Hobby, LLC  
2904 Research Road  
Champaign, IL 61822 USA

### Importateur officiel de l'UE :

Horizon Hobby, GmbH  
Hanskampring 9  
22885 Barsbüttel Germany

### DIRECTIVE DEEE :



L'étiquette de cet appareil respecte la directive européenne 2012/19/UE en matière de déchets des équipements électriques et électroniques (DEEE). Cette étiquette indique que ce produit ne doit pas être jeté avec les déchets ménagers, mais déposé dans une installation appropriée afin de permettre sa récupération et son recyclage.

## AVVISO

Tutte le istruzioni, le garanzie e gli altri documenti pertinenti sono soggetti a cambiamenti a totale discrezione di Horizon Hobby, LLC. Per una documentazione aggiornata sul prodotto, visitare il sito [horizonhobby.com](http://horizonhobby.com) o [towerhobbies.com](http://towerhobbies.com) e fare clic sulla sezione Support del prodotto.


## CONVENZIONI TERMINOLOGICHE

Nella documentazione relativa al prodotto vengono utilizzati i seguenti termini per indicare i vari livelli di pericolo potenziale durante l'uso del prodotto:

**AVVERTENZA:** Indica procedure che, se non debitamente seguite, determinano il rischio di danni alle cose, danni collaterali e gravi lesioni alle persone o il rischio elevato di lesioni superficiali alle persone.

**ATTENZIONE:** Indica procedure che, se non debitamente seguite, determinano il rischio di danni alle cose E di gravi lesioni alle persone.

**AVVISO:** Indica procedure che, se non debitamente seguite, possono determinare il rischio di danni alle cose E il rischio minimo o nullo di lesioni alle persone.

 **AVVERTENZA:** leggere TUTTO il manuale di istruzioni e familiarizzare con le caratteristiche del prodotto prima di farlo funzionare. Un uso improprio del prodotto può causare danni al prodotto stesso e alle altre cose e gravi lesioni alle persone.

Questo modello è un prodotto sofisticato per appassionati di modellismo. Deve essere azionato in maniera attenta e responsabile e richiede alcune conoscenze basilari di meccanica. L'uso improprio o irresponsabile di questo prodotto può causare lesioni alle persone e danni al prodotto stesso o alle altre cose. Questo prodotto non deve essere utilizzato dai bambini senza la diretta supervisione di un adulto. Non tentare di smontare, utilizzare componenti incompatibili o modificare il prodotto in nessun caso senza previa approvazione di Horizon Hobby, LLC. Questo manuale contiene le istruzioni per la sicurezza, l'uso e la manutenzione del prodotto. È fondamentale leggere e seguire tutte le istruzioni e le avvertenze del manuale prima di montare, impostare o utilizzare il prodotto, al fine di utilizzarlo correttamente e di evitare di causare danni alle cose o gravi lesioni alle persone.


**Limite minimo di età consigliato: Almeno 14 anni. Non è un giocattolo.**

## PRECAUZIONI E AVVERTENZE SULLA SICUREZZA

L'utente di questo prodotto è l'unico responsabile del corretto utilizzo del medesimo in maniera che non sia pericoloso, sia nei propri riguardi che nei confronti di terzi e non danneggi il prodotto stesso o l'altrui proprietà.

Questo modello è controllato da un segnale radio potenzialmente soggetto a interferenze da molte fonti che non potete controllare. Queste interferenze possono generare momentanee perdite di controllo del modello, quindi è consigliabile mantenere sempre una certa distanza di sicurezza in ogni direzione, poiché questo può aiutare ad evitare urti o infortuni.

- Non utilizzare mai il modello con batterie scariche.
- Utilizzate sempre il modello in zone ampie, sgombre da persone, macchine e traffico.
- Non utilizzate mai il modello in strade aperte al traffico o in luoghi affollati.
- Seguite attentamente le avvertenze d'uso di questo modello e di ogni altro accessorio (caricabatterie, batterie ricaricabili ecc.).
- Tenete qualsiasi prodotto chimico o elettrico al di fuori della portata dei bambini.
- Non leccate o ingerite alcun pezzo del modello perché questo può causare infortuni seri, o addirittura la morte.
- Utilizzate sempre con attenzione attrezzi e oggetti affilati.
- Prestare attenzione durante la costruzione perché alcune parti potrebbero avere degli spigoli vivi.
- Subito dopo l'uso NON toccate componenti del modello quali motore, variatore elettronico o la batteria, perché si scaldano molto durante il funzionamento. Toccandoli potreste scottarvi.
- Non infilate le dita tra gli ingranaggi del modello o altre parti in rotazione o movimento, poiché questo può causare danni o infortuni gravi.
- Accendete sempre prima la trasmittente e poi la ricevente sul modello. Invece spegnete sempre prima la ricevente e poi la trasmittente.
- Sollevate le ruote del modello da terra quando controllate il corretto funzionamento dell'apparato radio.

 **AVVERTENZA CONTRO PRODOTTI CONTRAFFATTI:** Acquistate sempre da rivenditori autorizzati Horizon Hobby per essere certi di avere prodotti originali Spektrum di alta qualità. Horizon Hobby rifiuta qualsiasi supporto o garanzia riguardo, ma non limitato a, compatibilità e prestazioni di prodotti contraffatti o che dichiarano compatibilità con Spektrum.

## INDICE

Precauzioni e avvertenze sulla sicurezza.....	42	SR515 receiver .....	51
Indice .....	42	SPMXSE1025 ESC .....	51
Veicolo resistente all'acqua con elettronica impermeabile.....	43	Guida alla risoluzione dei problemi.....	52
AVVERTENZE PER LA CARICA.....	43	Garanzia.....	53
box Contents .....	44	Garanzia e Assistenza - Informazioni per i contatti .....	53
Strumenti consigliati.....	44	Dichiarazione di conformità per l'Unione europea .....	54
Lista di controllo pre-utilizzo .....	44	Viste esplose.....	55
Parti del veicolo.....	47	Elenco componenti.....	58
Installare la batteria del veicolo.....	49	Elettronica.....	60
Provare la portata del radiocomando .....	50	Parti opzionali.....	60
Manutenzione del veicolo .....	50		

## VEICOLO RESISTENTE ALL'ACQUA CON ELETTRONICA IMPERMEABILE

Il vostro nuovo veicolo Horizon Hobby è stato progettato e costruito con una combinazione di componenti impermeabili e resistenti all'acqua, per consentirvi di utilizzare il prodotto in molte situazioni "umide," incluse pozze, ruscelli, erba bagnata, neve e anche pioggia.

Sebbene tutto il veicolo sia altamente resistente all'acqua, tuttavia non è completamente impermeabile e NON si può trattare come fosse un sottomarino. I vari componenti elettronici usati sul veicolo, come il regolatore elettronico di velocità (ESC), i servi e il ricevitore, sono impermeabili, però molti dei componenti meccanici sono solo resistenti all'acqua e non si possono immergere.

Le parti metalliche, inclusi i cuscinetti, le cerniere, viti e dadi, come pure i contatti sui cavi elettrici, sono suscettibili di corrosione se non si fa una particolare manutenzione dopo l'uso sul bagnato. Per prolungare al massimo le prestazioni nel tempo e tenere valida la garanzia, le procedure descritte nella sezione "Manutenzione in condizioni umide," si devono applicare regolarmente se si sceglie di correre sul bagnato. Se non siete disposti ad eseguire questa manutenzione aggiuntiva, allora dovete evitare di utilizzare il veicolo in queste condizioni.

**ATTENZIONE:** L'uso incauto di questo prodotto o il mancato rispetto delle seguenti precauzioni può portare ad un malfunzionamento del prodotto e/o invalidare la garanzia.

### PRECAUZIONI GENERALI

- Leggete attentamente le procedure di manutenzione del vostro veicolo in condizioni umide, per essere sicuri di avere tutte le attrezzature necessarie per questo scopo.
- Non tutte le batterie si possono usare in condizioni di umidità. Consultate il costruttore delle batterie prima di utilizzarle. Bisogna avere cautela quando si usano le batterie Li-Po in condizioni di bagnato.
- Molti trasmettitori non sono resistenti all'acqua. Consultate i relativi manuali o il costruttore prima dell'utilizzo.
- Non utilizzate mai il vostro trasmettitore o il veicolo quando ci sono lampi.
- Non utilizzate il vostro veicolo quando c'è il rischio che entri in contatto con acqua salata (acqua marina o acqua proveniente da una strada su cui sia stato sparso del sale), acqua contaminata o inquinata. L'acqua salata è molto conduttiva e altamente corrosiva, perciò bisogna usare molta cautela.

## AVVERTENZE PER LA CARICA

**ATTENZIONE:** seguire attentamente le istruzioni e le avvertenze allegate. L'uso improprio delle batterie Li-Po può provocare incendi, causare lesioni alle persone e/o danni alle cose.

### NON LASCIARE MAI L'ALIMENTATORE, IL CARICABATTERIE E LA BATTERIA INCUSTODITI DURANTE L'USO.

### NON CARICARE MAI LE BATTERIE DURANTE LA NOTTE SENZA SUPERVISIONE.

L'installazione, la carica e l'uso della batteria Li-Po inclusa comportano l'assunzione da parte dell'utente di tutti i rischi associati alle batterie al litio.

Se in qualsiasi momento la batteria inizia a ingrossarsi o gonfiarsi, interromperne immediatamente l'uso. Se si sta caricando o scaricando la batteria, interrompere e scollegare il tutto.

Per una conservazione ottimale, collocare sempre la batteria in un luogo asciutto a temperatura ambiente.

Durante il trasporto o la conservazione temporanea, la temperatura della batteria deve essere sempre compresa tra 5 e 49 °C. Non conservare la batteria o il modello in auto o sotto la luce diretta del sole. Se conservata all'interno di un'auto surriscaldata, la batteria potrebbe danneggiarsi o addirittura incendiarsi.

- Anche il minimo contatto con l'acqua potrebbe ridurre la vita del vostro motore se non è stato certificato come impermeabile o resistente all'acqua. Se dovesse essere troppo umido, accelerate poco finché l'acqua non viene rimossa dal motore. Far girare forte un motore bagnato potrebbe danneggiarlo rapidamente.
- Guidare sul bagnato può ridurre la vita del motore. La resistenza aggiuntiva in queste condizioni causa uno sforzo eccessivo. Modificate il rapporto di riduzione diminuendo il pignone o aumentando la corona. Questo aumenta la coppia (e la vita del motore) quando si utilizza il veicolo nel fango, in pozzanghere profonde o qualsiasi altra situazione in cui l'umidità possa aumentare il carico del motore per lungo tempo.

### MANUTENZIONE IN CONDIZIONI UMIDE

- Scaricare l'acqua raccolta negli pneumatici facendoli girare ad alta velocità. Togliere la carrozzeria e rovesciare il veicolo, poi dare alcune brevi accelerate finché l'acqua non viene rimossa.



**ATTENZIONE:** Durante l'operazione precedente, tenere sempre lontano dalle parti rotanti mani, dita, attrezzi o altri oggetti liberi di muoversi.

- Togliere la batteria ed asciugarne i contatti. Se avete un compressore o una bombola di aria compressa, soffiare via l'eventuale acqua rimasta all'interno del connettore.
- Smontate le ruote/gomme dal veicolo e risciacquatele con attenzione per togliere il fango e la polvere usando un getto di acqua. Evitate di risciacquare i cuscinetti e la trasmissione.

**AVVISO:** Non usare acqua sotto pressione per pulire il vostro veicolo.

- Usate un compressore o una bombola di aria compressa per asciugare il veicolo e togliere i residui di acqua eventualmente rimasti nelle piccole fessure e negli angoli.
- Spruzzare un olio impermeabilizzante o un lubrificante su cuscinetti, elementi di fissaggio e altre parti metalliche. Non spruzzare sul motore.
- Lasciate che il veicolo si asciughi all'aria prima di riporlo. L'acqua (e l'olio) continuerà a sgocciolare per alcune ore.
- Smontate il veicolo più di frequente, ispezionando e lubrificando le parti seguenti:
  - I cuscinetti dei mozzini sugli assi anteriore e posteriore.
  - Tutte le scatole di trasmissione, ingranaggi e differenziali.
  - Pulite il motore con un adatto prodotto aerosol e rilubrificatelo le boccole con olio leggero per motore.

Caricare sempre le batterie lontano da materiali infiammabili.

Controllare sempre la batteria prima di caricarla.

Scollegare sempre la batteria dopo la carica e lasciare raffreddare il caricabatterie tra una carica e l'altra.

Controllare costantemente la temperatura del pacco batterie durante la carica.

Utilizzare solo caricabatterie specificatamente progettati per caricare batterie Li-PO. La carica effettuata con caricabatterie non compatibili può provocare incendi, causare lesioni alle persone e/o danni materiali. Le celle Li-Po non devono essere mai scaricate sotto i 3 V in condizioni di carico.

Non coprire mai le etichette di avvertenza con strisce a strappo.

Non caricare mai le batterie a livelli al di fuori di quelli raccomandati.

Non caricare mai batterie danneggiate.

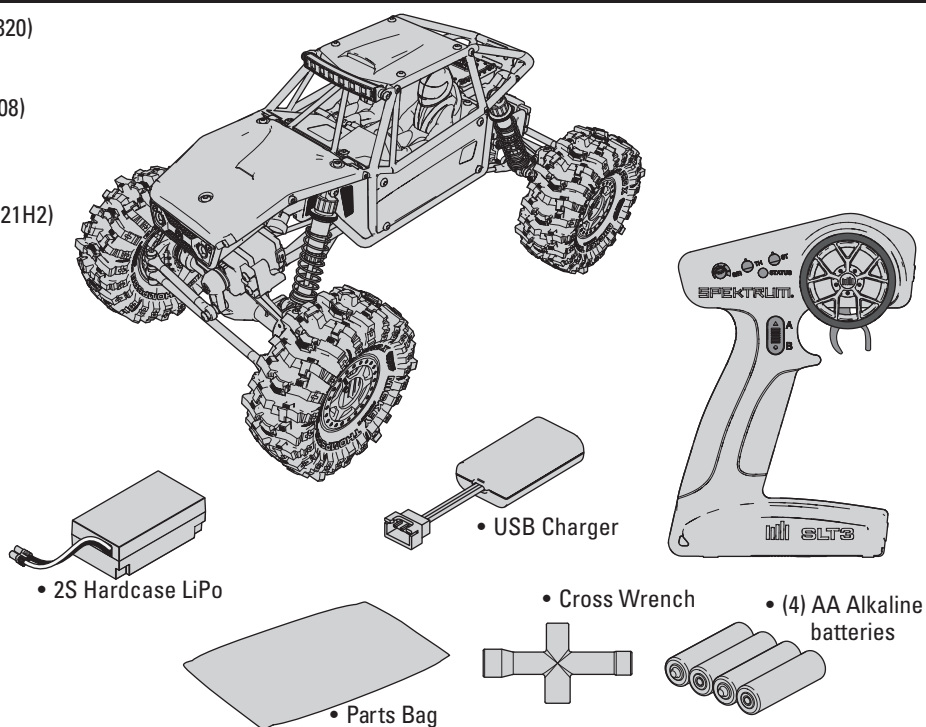
Non tentare mai di smontare o alterare il caricabatterie.

Alle persone minorenni non deve mai essere consentito ricaricare i pacchi batterie.

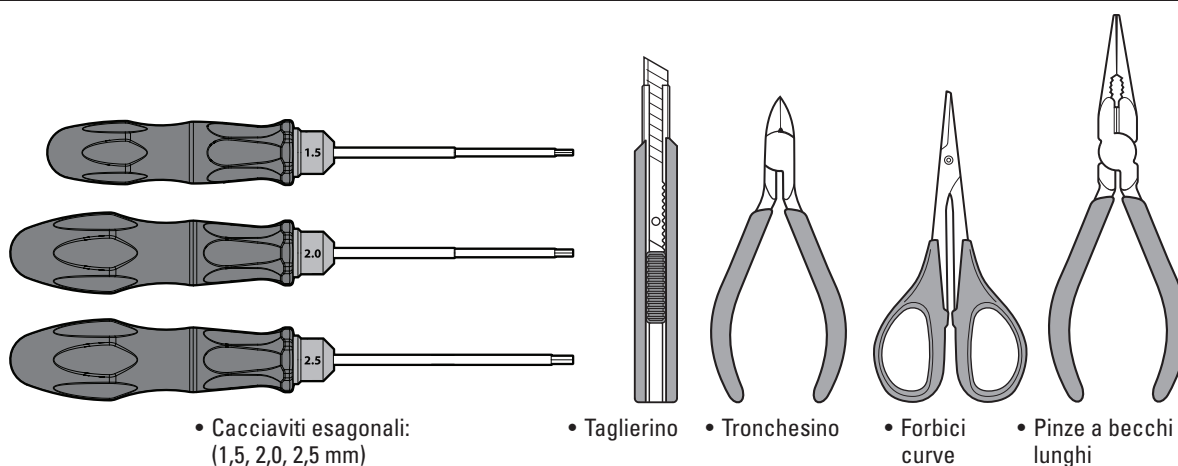
Non caricare mai le batterie in ambienti estremamente caldi o freddi (la temperatura consigliata è compresa tra 5 e 49 °C) né collocarle sotto la luce diretta del sole.

## BOX CONTENTS

- Spektrum™ SLT3 2,4 GHz 3 canali (SPMRSLT320)
  - Batterie alcaline AA (4)
- Capra™ 4WS UTB18 RTR
  - Motore a spazzole Tazer 37 T 380 (DYNS1208)
  - Ricevitore SR515 DSMR (SPMSR515)
  - ESC a spazzole SPMXSE1025
  - (2) Servo (SPMS664)
  - 7,4 V 650 mAh 2S 20C LiPo, Hard (DYNB65021H2)
- Caricabatterie LiPo USB-C (SPMXC0040)



## STRUMENTI CONSIGLIATI



## LISTA DI CONTROLLO PRE-UTILIZZO

Leggere il manuale
Acquisire familiarità con il veicolo e i suoi componenti
Verificare che tutte le viti, in particolare le viti di fissaggio dell'albero di trasmissione, siano state ben serrate in fabbrica
Caricare la batteria del veicolo
Installare 4 batterie AA nella trasmittente
Accendere la trasmittente

Installare la batteria del veicolo nel modello
Verificare il corretto funzionamento dell'acceleratore e dello sterzo
Provare la portata del radiocomando
Ora è possibile pilotare il veicolo e mettersi alla prova: <b>BUON DIVERTIMENTO!</b>
Realizzare eventuali operazioni di manutenzione necessarie sul veicolo

## AVVERTENZE SULLA RICARICA USB

**AVVERTENZA:** ignorare le dovute cautele di utilizzo e le seguenti avvertenze può provocare il malfunzionamento del prodotto e determinare problemi di natura elettrica, calore eccessivo, INCENDIO, lesioni personali e danni alle proprietà.

- **NON LASCIARE MAI LE BATTERIE IN CARICA INCUSTODITE.**
- **NON LASCIARE MAI LE BATTERIE IN CARICA TUTTA LA NOTTE.**
- Non caricare mai batterie esauste, danneggiate o bagnate.
- Non caricare mai pacchi batterie contenenti tipi diversi di batterie.
- Non consentire mai a bambini di età inferiore ai 14 anni di caricare le batterie.
- Non caricare mai le batterie in ambienti estremamente caldi o freddi o esposti al sole.
- Non caricare una batteria se il cavo è stato schiacciato o cortocircuitato.
- Non collegare mai il caricabatteria alla presa di corrente se il cavo di alimentazione risulta schiacciato o cortocircuitato.
- Non provare mai a smontare il caricabatterie o usare una caricabatterie danneggiato.
- Utilizzare sempre e solo batterie ricaricabili adatte per l'uso con il tipo di caricabatterie impiegato.
- Ispezionare sempre la batteria prima di caricarla.
- Tenere sempre la batteria lontana da qualsiasi materiale che potrebbe essere influenzato dal calore.
- Monitorare sempre l'area di ricarica e mantenere sempre un estintore a portata di mano.
- Interrompere immediatamente la procedura di carica se la batteria diventa calda al tatto oppure se inizia a cambiare forma (rigonfiandosi).
- Collegare sempre correttamente i cavi positivi (+) e i cavi negativi (-).
- Scollegare sempre la batteria dopo la carica e lasciare che il caricabatterie si raffreddi tra una carica e l'altra.
- Caricare sempre le batterie in un'area ben ventilata.
- Se il prodotto presenta malfunzionamenti, interrompere tutto e contattare Horizon Hobby.
- Caricare solo batterie ricaricabili. Provare a ricaricare batterie non ricaricabili comporta il rischio che queste possano esplodere, causando danni o lesioni a cose e/o persone.
- La presa USB deve essere installata nei pressi del dispositivo e deve essere facilmente accessibile.

**ATTENZIONE:** assicurarsi sempre che la batteria che si sta caricando sia compatibile con le specifiche del caricabatterie. In caso contrario, vi è il rischio di surriscaldamenti e altri malfunzionamenti del prodotto che possono causare lesioni all'utente o danni materiali. Si prega di contattare Horizon Hobby o i rivenditori autorizzati per eventuali domande sulla compatibilità.

**ATTENZIONE:** se in qualsiasi momento durante la carica la batteria si surriscalda o inizia a deformarsi, scollegarla immediatamente e interrompere la carica, per evitare il rischio di incendio, danni collaterali e lesioni.

## CARICARE LA BATTERIA DEL VEICOLO

Usare solamente il caricabatterie USB incluso per caricare la batteria.

1. Collegare il caricabatterie ad una porta di alimentazione USB adeguata. Il caricabatterie funziona con la maggior parte delle fonti di alimentazione mobili da 5V o caricabatterie per smartphone con almeno 1 ampere di potenza in uscita.

**AVVISO:** Il caricamento della batteria attraverso una porta USB con una potenza in uscita inferiore ad 1 ampere può causare surriscaldamento.

2. Collegare il cavo di ricarica alla batteria tenendo in considerazione la giusta polarità. Caricare una batteria completamente scarica richiede circa 45-60 minuti. I tempi di ricarica possono variare in base alla fonte di alimentazione.
3. Rimuovere la batteria dal caricabatterie quando il ciclo di ricarica è completo.
4. Rimuovere il caricabatterie dalla fonte di alimentazione.

**ATTENZIONE:** quando la carica è terminata, scollegare subito la batteria dal caricatore.

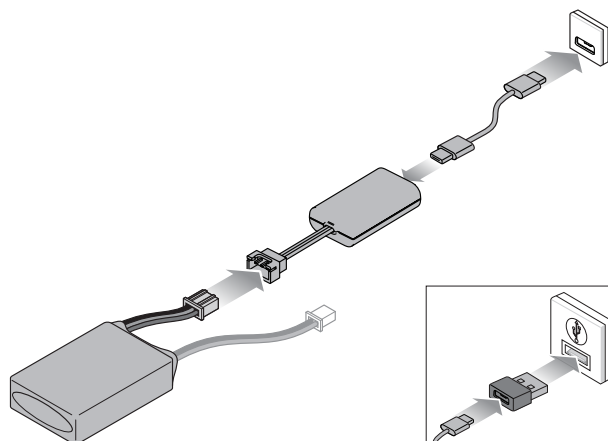
### INDICAZIONI DEL LED DEL CARICABATTERIE

**ROSSO, fisso** = errore di carica; assicurarsi che la batteria sia sana e correttamente collegata al caricabatterie

**ARANCIONE, fisso** = carica in corso

**VERDE, fisso** = carica completa

**ARANCIONE/VERDE, lampeggiante** = caricatore pronto per la ricarica



## FUNZIONI DELLA TRASMITTENTE

### Specifiche

**Alimentazione:** 4 Batterie AA

**Frequenza di funzionamento:** 2,4 GHz

**Potenza di trasmissione:** <100mW

**Protocollo di controllo:** SLT

**Controllo:** sterzo e gas/freno proporzionali con manopole trim, terzo canale con interruttore temporaneo a 3 posizioni

**Funzioni ausiliarie:** interruttore limitatore gas a 3 posizioni, manopola tasso di sterzata per modificare "al volo" la corsa dello sterzo, servocorsa programmabile per sterzo e Manetta/Inversione.

**A. Trim gas** Regola il punto neutro del gas

**B. Trim sterzo** Regola il punto centrale dello sterzo. Il trim dello sterzo è solitamente regolato fino a ottenere la marcia del veicolo in linea retta.

### C. LED

- Luci rosse fisse: la trasmittente è alimentata e la carica della batteria è adeguata
- Luci rosse lampeggianti: la tensione della batteria è eccessivamente bassa. Sostituire le batterie

**D. Volantino sterzo**

**E. Manetta/Inversione**

**F. Tasso di sterzata** Manopola per la regolazione "al volo" della corsa sullo sterzo

**G. Modalità di sterzo**

interruttore a 3 posizioni.

**H. Limite gas** Limita il rendimento del gas al 50/75/100%

Selezionare 50% o 75% per i piloti meno esperti o quando si guida il veicolo in un'area di dimensioni ridotte.

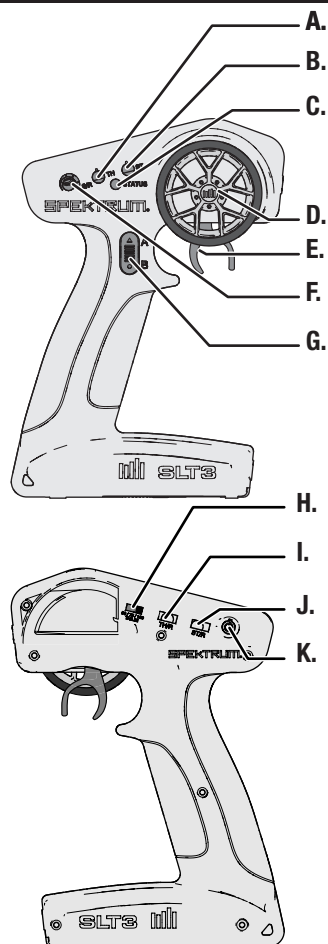
**I. Inversione servo gas (TH)**

Spostare l'interruttore per invertire il canale del gas

**J. Inversione servo sterzo (ST)**

Spostare l'interruttore per invertire il canale dello sterzo

**K. Pulsante di accensione**

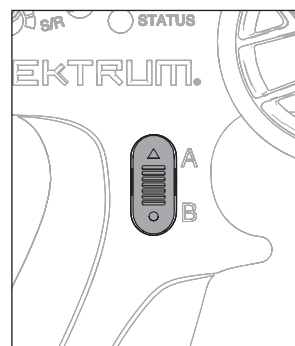


## MODALITÀ DI STERZO POSTERIORE

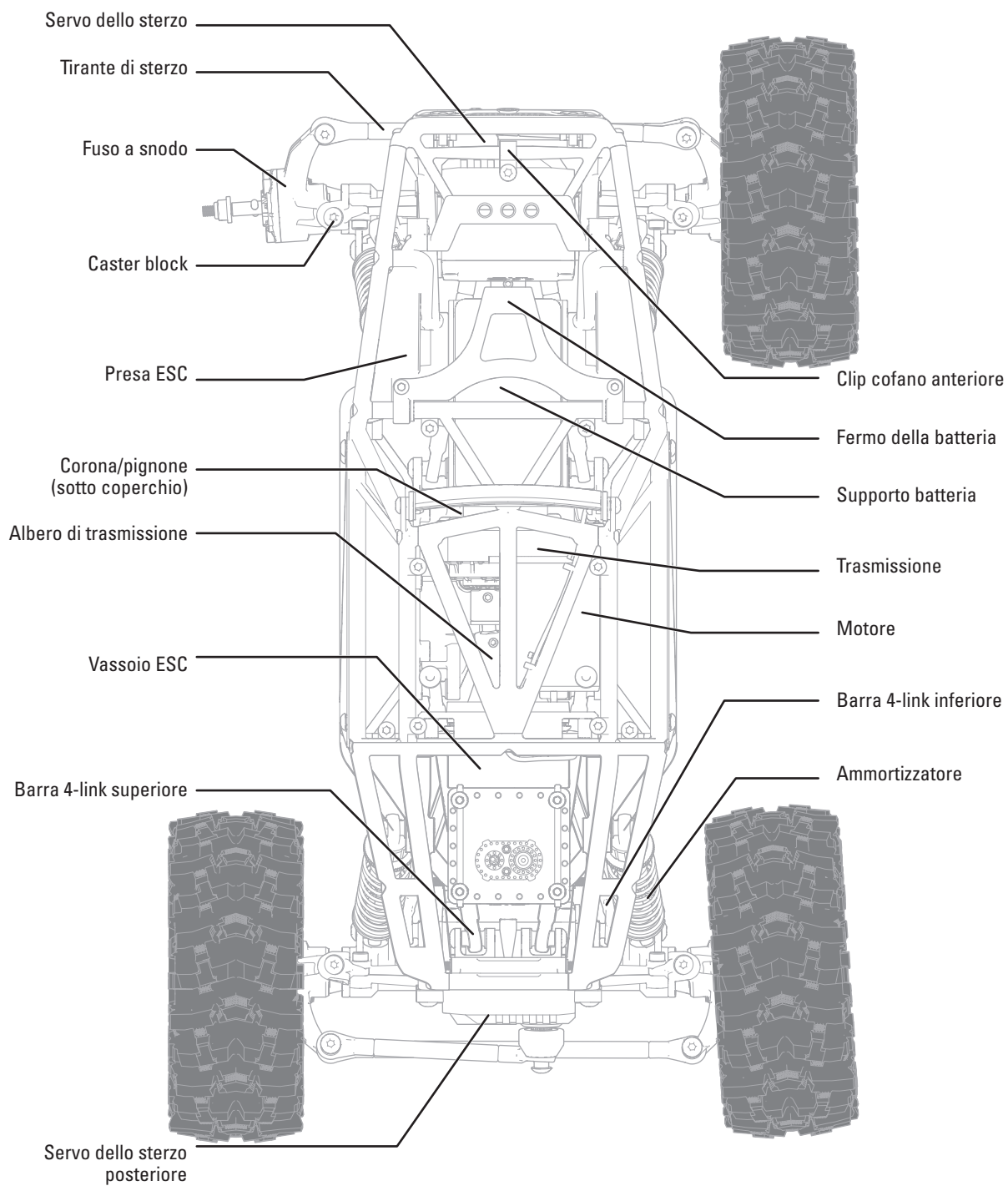
Il dispositivo Capra 4WS si caratterizza per lo sterzo sia anteriore che posteriore. Sono tre le modalità di sterzo per gestire come risponde lo sterzo posteriore alla ruota sterzante. La modalità di sterzo è selezionata dalla trasmittente con l'interruttore a tre posizioni.

**IMPORTANTE:** Il trim sterzo interessa solo le ruote anteriori.

- In tutte le modalità le ruote anteriori funzionano normalmente.
- UP è la modalità a granchio in cui le ruote posteriori sterzano nella stessa direzione della parte anteriore in modo che tutto il veicolo possa muoversi di lato "a granchio".
- DOWN è la modalità a specchio in cui le ruote posteriori sterzano in modo opposto alle ruote anteriori per serrare il raggio di rotazione.
- CENTER è la modalità di solo sterzo anteriore, in cui le ruote posteriori non sterzano.
- Premere UP o DOWN sull'interruttore a tre posizioni per modificare il solo sterzo anteriore.
- Quando si passa da una delle due modalità di sterzo, è necessario innanzitutto tornare al solo sterzo anteriore.



## PARTI DEL VEICOLO



## SERVOCORSA

Il servocorsa sui canali Sterzo e Gas può essere regolato tramite una modalità di programmazione speciale disponibile nella trasmittente.

1. Iniziare completando la procedura di connessione tra la trasmittente e il ricevitore. Accendere il ricevitore.
2. Durante l'accensione della trasmittente, mantenere il volantino tutto a destra e il grilletto a piena frenata per passare la trasmittente alla modalità di programmazione. Il LED sulla trasmittente lampeggerà 4 volte a indicare che la trasmittente è in modalità di programmazione.
3. Ruotare e mantenere il volantino tutto a sinistra per impostare il limite di corsa per quella direzione. Premere il tasto A per aumentare la corsa, premere il tasto B per ridurre la corsa. Il LED lampeggerà una volta ad ogni modifica. Riportare il volantino al centro per impostare il valore della corsa.

**IMPORTANTE:** se è stato raggiunto il valore massimo o minimo consentito, il LED non lampeggerà in seguito a un'ulteriore immissione.

4. Ruotare il volantino a destra e ripetere la procedura per impostare la corsa dello sterzo a destra.

5. Per i veicoli elettrici, spegnere la trasmittente per salvare le impostazioni. Calibrare il proprio ESC sulla corsa del gas predefinita.
6. Per veicoli alimentati a carburante, impostare la corsa del gas a motore fermo. Dopo aver impostato la corsa dello sterzo, è possibile impostare la corsa del gas seguendo la stessa procedura. Tirare il comando e mantenere il motore al massimo, regolare la corsa con i tasti A e B, ritornare al centro per impostare il valore.
7. Spingere il grilletto a piena frenata, regolare la corsa con i tasti A e B, ritornare al centro.
8. Spegnere la trasmittente per salvare i valori.

## INSTALLARE LE BATTERIE DEL TRASMETTITORE

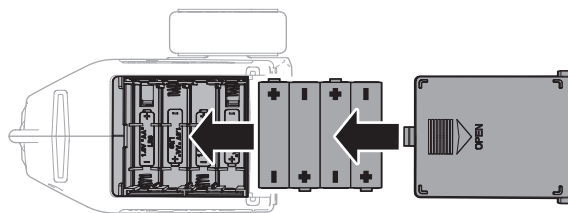
Questa trasmittente richiede 4 batterie AA.

1. Rimuovere la copertura della batteria dalla trasmittente.
2. Installare le batterie come mostrato.
3. Rimettere a posto il coperchio.

**ATTENZIONE:** non rimuovere MAI le batterie dalla trasmittente mentre il veicolo è acceso. Questo potrebbe causare la perdita di controllo del veicolo, danni o lesioni.

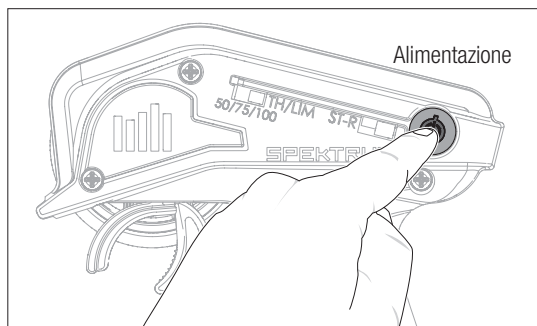
**ATTENZIONE:** se si utilizzano batterie ricaricabili, ricaricare solo quelle e non le normali batterie non ricaricabili. Provare a ricaricare batterie non ricaricabili comporta il rischio che queste possano esplodere, causando lesioni o danni cose e/o persone.

**ATTENZIONE:** la sostituzione di una batteria con una batteria di tipo inappropriato può comportare il rischio di esplosioni. Smaltire le batterie esauste nel rispetto delle vigenti norme nazionali e locali.

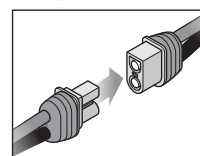
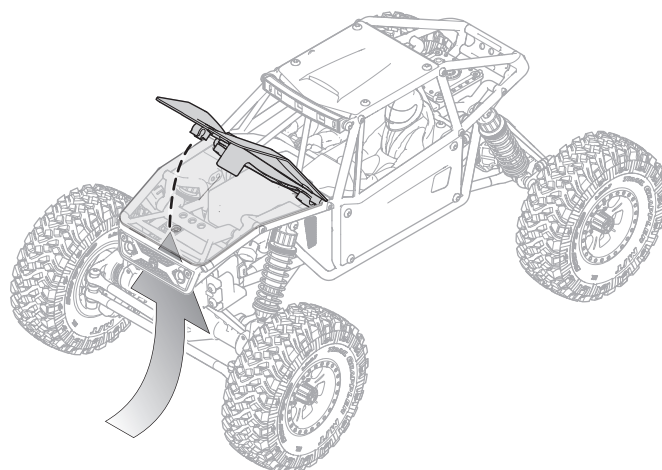




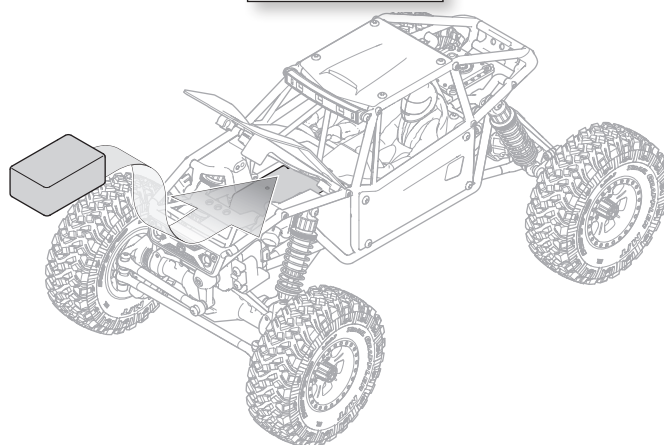
## INSTALLARE LA BATTERIA DEL VEICOLO



1. Accendere la trasmittente.
2. Premere sul cofano da dietro il paraurti anteriore per sbloccare il fermo. Sollevare il cofano.
3. Collegare la batteria all'ESC.

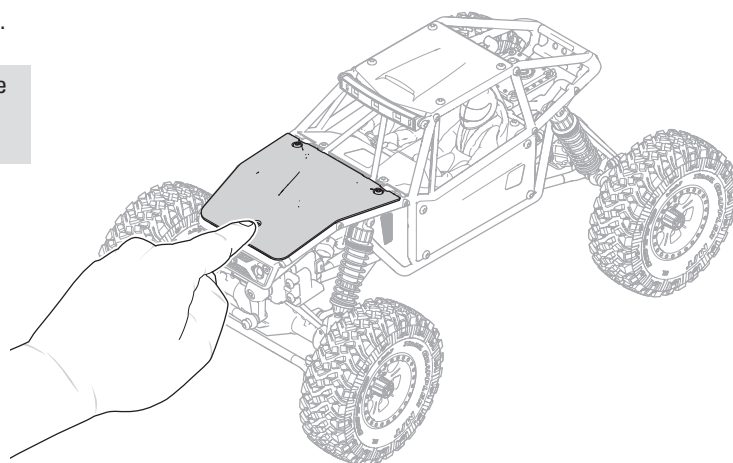


4. Installare la batteria nel porta batteria.



5. Chiudere il cofano e premere al centro per agganciarlo al telaio. La batteria è fissata in sede dal cofano.

**AVVISO:** scollegare sempre la batteria dall'ESC prima di spegnere la trasmittente. Non farlo può causare la perdita di controllo del modello.



## PROVARE LA PORTATA DEL RADIOCOMANDO

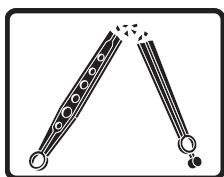
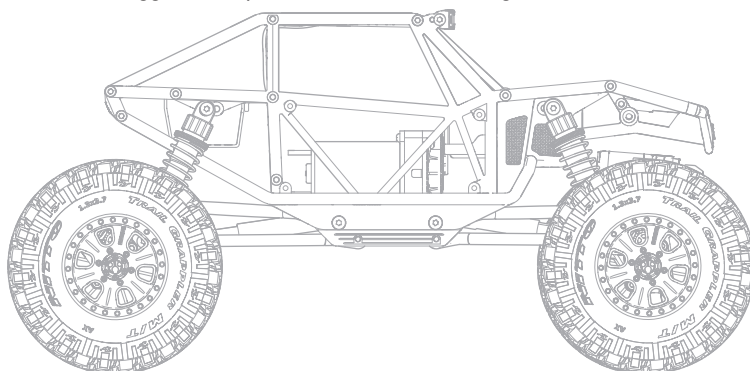
È opportuno testare il radiocomando prima di azionare il veicolo per garantirne il corretto funzionamento e una buona portata.

1. Accendere la trasmittente.
2. Collegare la batteria nel veicolo.
3. Chiedere a un'altra persona di reggere il veicolo tenendo mani e lembi di vestiario non aderenti lontano dalle parti mobili.
4. Allontanarsi fino a raggiungere la distanza massima di funzionamento pianificata dal veicolo.
5. Girare il volantino dello sterzo da un lato e dall'altro e azionare l'acceleratore, avanti e indietro, per verificare la presenza di eventuali comportamenti anomali.
6. In tal caso, NON utilizzare il veicolo. Chiamare il centro assistenza per ricevere aiuto.

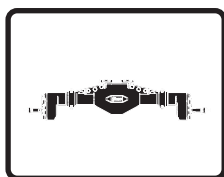


## MANUTENZIONE DEL VEICOLO

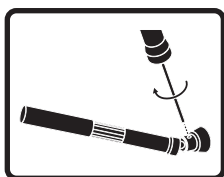
Proprio come una macchina o un pick-up a grandezza naturale, il modello RC deve essere sottoposto a regolare manutenzione per garantire prestazioni ottimali. La manutenzione preventiva consente anche di evitare inutili rotture dei componenti che potrebbero richiedere riparazioni costose. Di seguito vengono forniti alcuni suggerimenti per una manutenzione adeguata del veicolo.



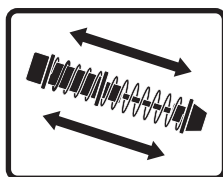
Sostituire eventuali componenti visibilmente piegati o danneggiati



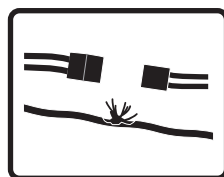
Verificare l'usura dei giunti sferici delle bielle dello sterzo e delle sospensioni (sostituirli se necessario)



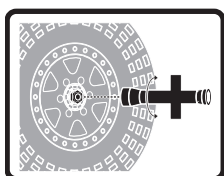
Verificare le viti di fissaggio dell'albero di trasmissione e applicare del frenafili se necessario



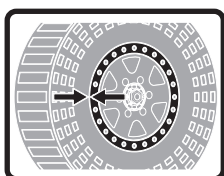
Verificare che gli ammortizzatori operino in modo fluido e regolare



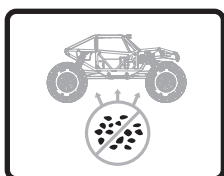
Verificare la presenza di parti allentate o cavi danneggiati



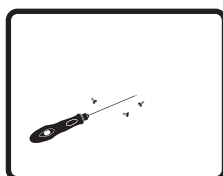
Verificare che i dadi delle ruote siano ben serrati



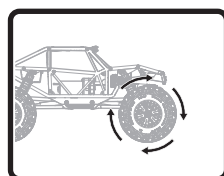
Assicurarsi che i talloni delle ruote aderiscano ancora perfettamente lungo tutta la circonferenza del cerchione



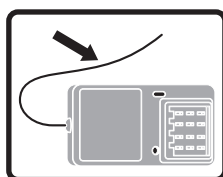
Mantenere il telaio privo di sporco o detriti



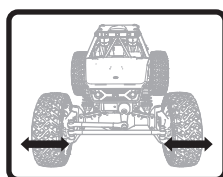
Verificare la presenza di viti allentate sul telaio, in particolare le viti di blocco dello snodo, del mozzo centrale e dell'assale



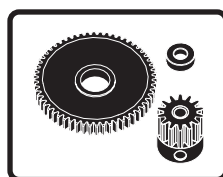
Verificare che la trasmissione operi in modo fluido e senza impedimenti



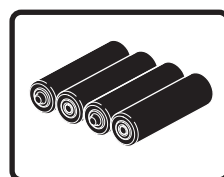
Verificare che l'antenna del ricevitore non sia danneggiata



Verificare che lo sterzo si muova liberamente



Ispezionare la corona e il pignone per verificare la presenza di danni



Sostituire le batterie della trasmittente quando indicato dalla trasmittente, come descritto al paragrafo 'Funzioni della trasmittente'

## RICEVITORE SR515

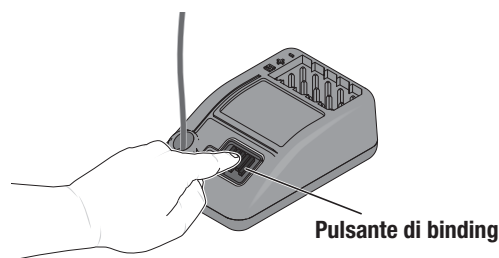
### BINDING

Il binding è il processo di accoppiamento elettronico tra trasmettente e ricevitore. La trasmettente e il ricevitore in dotazione sono connessi in fabbrica. Se è necessario eseguire un nuovo collegamento, procedere come segue:

**AVVISO:** tenere parti del corpo, lembi di vestiario e altri oggetti non aderenti sempre a distanza dell'elica.

**IMPORTANTE:** se si utilizza un ricevitore/sistema radio esterno, seguire le istruzioni di binding fornite con il ricevitore.

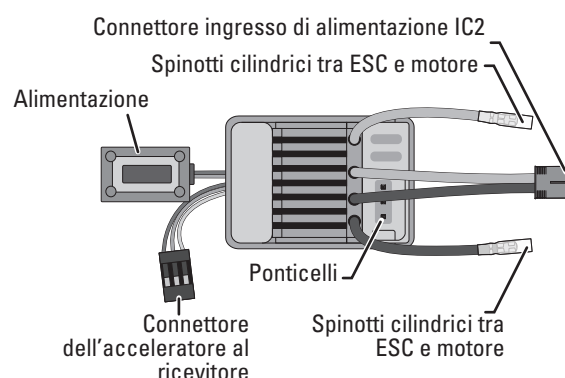
1. Accendere il ricevitore e premere il pulsante di binding per tre volte in rapida successione (entro 1,5 secondi). Il LED arancione inizierà a lampeggiare con una pausa.
2. Impostare i trim e le posizioni dei comandi sulle impostazioni di failsafe desiderate e accendere la trasmettente SLT3.
3. Quando il LED arancione sulla trasmettente SLT3 rimane acceso, questa è connessa al ricevitore SR515.



## ESC SPMXSE1025

<b>Tipo</b>	A spazzole
<b>Costante/Picco</b>	25 A / 100 A
<b>Funzione</b>	Avanti/Indietro
<b>Tipo veicolo</b>	Crawler Scala 1/18
<b>Caratteristiche opzionali</b>	Chimica della batteria regolata tramite ponticello
<b>Tipo batteria / Tensione di ingresso</b>	2-3S Li-Po o 5-9 Ni-MH
<b>Tipo di motore raccomandato</b>	Motore a spazzole 270/380
<b>Uscita BEC</b>	6 V/4 A (Modalità Switch)
<b>Dimensioni</b>	34 x 24 x 14 mm
<b>Peso</b>	28 g
<b>Connettore batteria</b>	Connettore IC2™
<b>Connettore motore</b>	Spinotti motore cilindrici femmina 4 mm

### SCHEMA CABLAGGI



### CALIBRAZIONE DI ESC E TRASMITTENTE

Quando si usa un nuovo ESC è importante calibrarlo in modo che da farlo corrispondere al campo di escursione dell'acceleratore sulla trasmettente. La procedura di calibrazione dell'ESC va ripetuta quando si installa un nuovo radiocomando o si apportano modifiche ai valori di acceleratore/freno nella trasmettente. La mancata calibrazione tra ESC e radiocomando ne pregiudica il corretto funzionamento.

1. Accendere la trasmettente. Verificare che il fine corsa dell'acceleratore sulla trasmettente sia impostato al 100%.
2. Collegare la batteria all'ESC.
3. Con il comando del gas su neutro, accendere l'ESC. Attendere 3 secondi. L'ESC completa il rilevamento dell'acceleratore.

### INDICATORE LED

All'accensione dell'ESC, il LED lampeggia per indicarne lo stato.

Durante l'utilizzo	Stato LED
Gas neutro	OFF
Gas parziale avanti	Flash rapido
Gas al massimo	Fisso
Gas parziale indietro	Flash rapido
Piena inversione	Fisso
Tensione batteria bassa	Flash rapido
Surriscaldamento	Flash rapido

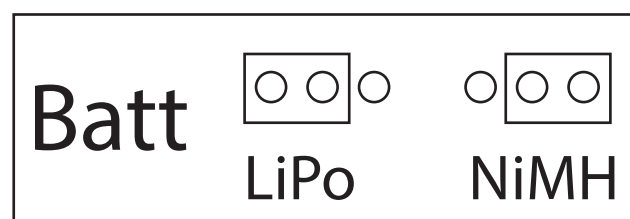
**AVVISO:** scollegare sempre la batteria dall'ESC prima di riporre il modello. Se si lascia la batteria collegata, l'ESC continuerà ad assorbire corrente anche se l'interruttore di alimentazione è su OFF, con conseguenti rischi di danni alla batteria dovuti a scaricamento eccessivo.

**AVVISO:** non collegare batterie dedicate per il ricevitore alle porte dei servo o di programmazione. Quando viene acceso, l'ESC/Ricevitore alimenta le porte dei servo con una tensione regolata a 6 V prelevata dalla batteria principale. Se alle porte dei servo viene collegata una batteria dedicata al ricevitore, il ricevitore/ESC potrebbe subire danni.

### SELEZIONE DEL PONTICELLO

L'ESC di questo veicolo utilizza un ponticello per impostare il tipo di batteria. Impostare il tipo LiPo per la batteria in dotazione.

- Se si desidera impostare il tipo di batteria in modalità LiPo, inserire il ponticello nei due pin di sinistra del connettore Batt. LiPo è la modalità di default.
- Se si desidera impostare il tipo di batteria in modalità NiMH, inserire il ponticello nei due pin di destra del connettore Batt.



## GUIDA ALLA RISOLUZIONE DEI PROBLEMI

PROBLEMA	POSSIBILE CAUSA	SOLUZIONE
Il sistema non si collega	Trasmittente e ricevitore sono troppo vicini tra loro	Spostare la trasmittente a 2,5-4 m dal ricevitore
	Si è in prossimità di oggetti metallici	Allontanarsi dagli oggetti metallici
	Ricevitore associato a un diverso modello di memoria	Assicurarsi che nella trasmittente sia attivo il modello di memoria corretto
	La trasmittente è stata impostata in modalità di binding e non è più associata al ricevitore	Ripetere il binding tra trasmittente e ricevitore e poi ricalibrazione
Il ricevitore va in modalità failsafe a breve distanza dal trasmettitore	Controllare che l'antenna del ricevitore sia integra	L'antenna deve essere in posizione protetta e quanto più in alto possibile Sostituire il ricevitore o contattare il supporto tecnico Horizon
	Bassa tensione dalla batteria del ricevitore. Se la tensione è bassa, la batteria può scendere per un istante sotto i 3,5 V, provocando uno sbalzo di tensione del ricevitore e successiva riconnessione	Caricare la batteria del veicolo o del ricevitore. I ricevitori Spektrum necessitano di almeno 3,5 V per funzionare
Il ricevitore smette di rispondere durante il funzionamento	Fili o connettori tra batteria e ricevitore allentati o danneggiati	Controllare i fili e il collegamento tra batteria e ricevitore. Riparare o sostituire i fili e/o i connettori
	Le batterie non sono state installate correttamente nella trasmittente	Assicurarsi che le batterie della trasmittente siano installate correttamente
Il veicolo non si muove	Batteria scarica o assente nel veicolo	Installare una batteria appena ricaricata sul veicolo
	Motore danneggiato	Sostituire il motore
	Cavi danneggiati o rotti	Sostituire i cavi danneggiati
	L'ESC viene spento dal circuito di protezione termica	Lasciare raffreddare completamente l'ESC
	Antenna posizionata in modo errato	Assicurarsi che l'antenna della trasmittente non sia bloccata e che l'antenna del ricevitore sia posizionata correttamente
Perdita del controllo del veicolo	Batterie scariche o assenti nel veicolo	Installare una batteria appena ricaricata sul veicolo e batteria nuove sulla trasmittente
	Posizione neutra o del trim errata	Regolare il trim dello sterzo
	Ricevitore e/o batteria non collegati correttamente	Verificare tutti i collegamenti del ricevitore e della batteria
La funzione sterzo e/o acceleratore è invertita	La corsa del servo è invertita a livello della trasmittente	Mettere in posizione corretta l'interruttore d'inversione della corsa del servo sulla trasmittente
	I cavi del motore non sono collegati correttamente	Verificare che tutti i cavi del motore abbiano polarità corretta e siano ben collegati
ESC ON - No azionamento motore, bip o LED	Problema di connessione/batteria	Ricaricare/sostituire la batteria. Controllare tutte le connessioni
	ESC o interruttore danneggiati	Riparare/sostituire ESC/interruttore ESC
	Motore danneggiato	Riparare/sostituire
Motore - Si arresta e il LED lampeggia	Protezione da bassa tensione	Se il LED dell'ESC lampeggia, ricaricare/sostituire la batteria
	Protezione da surriscaldamento	Se il LED lampeggia, far raffreddare il motore/ESC, cambiare impostazioni o la combinazione pignone e corona per evitare il surriscaldamento
Motore - Accelera in modo irregolare	Problema con la batteria	Riparare il cablaggio danneggiato/sostituire la batteria
	Combinazione pignone e corona errata	Regolare/sostituire
	Motore danneggiato o usurato	Riparare/sostituire il motore
Motore - Risposta irregolare al comando del gas	ESC/motore danneggiato	Riparare/sostituire il cablaggio o il motore/ESC
Motore - Rallenta ma non si ferma	Calibrazione trasmittente/ESC errata	Regolare la corsa e le altre impostazioni del comando del gas sulla trasmittente/ESC. Ripetere la procedura di calibrazione dell'ESC
Servo di sterzata - In funzione; il motore non gira	Motore danneggiato	Provare il motore separatamente dal sistema del veicolo, riparare/sostituire come necessario
	Calibrazione trasmittente/ESC errata	Regolare la corsa e le altre impostazioni del comando del gas sulla trasmittente/ESC. Ripetere la procedura di calibrazione dell'ESC
Sterzo/motore - Non funzionanti	Tensione batteria bassa	Ricaricare/sostituire
	Modello memoria selezionato nella trasmittente errato	Selezionare sulla trasmittente le impostazioni modello corrette; vedere il manuale di ricevitore e/o trasmittente
	Ricevitore non associato alla trasmittente	Associare trasmittente e ricevitore; vedere il manuale di ricevitore e/o trasmittente
Veicolo - Non raggiunge la velocità max	Problema con la batteria	Ricaricare/sostituire
	Calibrazione trasmittente/ESC errata	Regolare la corsa e le altre impostazioni del comando del gas sulla trasmittente/ESC. Ripetere la procedura di calibrazione dell'ESC

## GARANZIA

### Periodo di garanzia

Garanzia esclusiva - Horizon Hobby, LLC (Horizon) garantisce che il prodotto acquistato (il "Prodotto") sarà privo di difetti relativi ai materiali e di eventuali errori di montaggio alla data di acquisto. Il periodo di garanzia è conforme alle disposizioni legali del paese nel quale il prodotto è stato acquistato. Tale periodo di garanzia ammonta a 6 mesi e si estende ad altri 18 mesi dopo tale termine.

### Limiti della garanzia

- La garanzia è limitata all'acquirente originale (Acquirente) e non è cedibile a terzi. L'acquirente ha il diritto a far riparare o a far sostituire la merce durante il periodo di questa garanzia. La garanzia copre solo quei prodotti acquistati presso un rivenditore autorizzato Horizon. Altre transazioni di terze parti non sono coperte da questa garanzia. La prova di acquisto è necessaria per far valere il diritto di garanzia. Inoltre, Horizon si riserva il diritto di cambiare o modificare i termini di questa garanzia senza alcun preavviso e di escludere tutte le altre garanzie già esistenti.
- Horizon non si assume alcuna garanzia per la disponibilità del prodotto, per l'adeguatezza o l'idoneità del prodotto a particolari previsti dall'utente. È sola responsabilità dell'acquirente il fatto di verificare se il prodotto è adatto agli scopi da lui previsti.
- Richiesta dell'acquirente – spetta soltanto a Horizon, a propria discrezione riparare o sostituire qualsiasi prodotto considerato difettoso e che rientra nei termini di garanzia. Queste sono le uniche rivalse a cui l'acquirente si può appellare, se un prodotto è difettoso.

Horizon si riserva il diritto di controllare qualsiasi componente utilizzato che viene coinvolto nella rivalsa di garanzia. Le decisioni relative alla sostituzione o alla riparazione sono a discrezione di Horizon. Questa garanzia non copre dei danni superficiali o danni per cause di forza maggiore, uso errato del prodotto, un utilizzo che viola qualsiasi legge, regolamentazione o disposizione applicabile, negligenza, uso ai fini commerciali, o una qualsiasi modifica a qualsiasi parte del prodotto.

Questa garanzia non copre danni dovuti ad un'installazione errata, ad un funzionamento errato, ad una manutenzione o un tentativo di riparazione non idonei a cura di soggetti diversi da Horizon. La restituzione del prodotto a cura dell'acquirente, o da un suo rappresentante, deve essere approvata per iscritto dalla Horizon.

### Limiti di danno

Horizon non si riterrà responsabile per danni speciali, diretti, indiretti o consequenziali; perdita di profitto o di produzione; perdita commerciale connessa al prodotto, indipendentemente dal fatto che la richiesta si basa su un contratto o sulla garanzia. Inoltre la responsabilità di Horizon non supera mai in nessun caso il prezzo di acquisto del prodotto per il quale si chiede la responsabilità. Horizon non ha alcun controllo sul montaggio, sull'utilizzo o sulla manutenzione del prodotto o di combinazioni di vari prodotti. Quindi Horizon non accetta nessuna responsabilità per danni o lesioni derivanti da tali circostanze. Con l'utilizzo e il montaggio del prodotto l'utente acconsente a tutte le condizioni, limitazioni e riserve di garanzia citate in questa sede.

Qualora l'utente non fosse pronto ad assumersi tale responsabilità associata all'uso del prodotto, si suggerisce di restituire il prodotto intatto, mai usato e immediatamente presso il venditore.

### Indicazioni di sicurezza

Questo è un prodotto sofisticato di hobbistica e non è un giocattolo. Esso deve essere manipolato con cautela, con giudizio e richiede delle conoscenze basilari di meccanica e delle facoltà mentali di base. Se il prodotto non verrà manipolato in maniera sicura e responsabile potrebbero risultare delle lesioni, dei gravi danni a persone, al prodotto o all'ambiente circostante. Questo prodotto non è concepito per essere usato dai bambini senza una diretta supervisione di un adulto. Il manuale del prodotto contiene le istruzioni di sicurezza, di funzionamento e di manutenzione del prodotto stesso. È fondamentale leggere e seguire tutte le istruzioni e le avvertenze nel manuale prima di mettere in funzione il prodotto. Solo così si eviterà un utilizzo errato e si preverranno incidenti, lesioni o danni.

### Domande, assistenza e riparazioni

Il vostro negozio locale e/o luogo di acquisto non possono fornire garanzie di assistenza o riparazione senza previo colloquio con Horizon. Questo vale anche per le riparazioni in garanzia. Quindi in tali casi bisogna interpellare un rivenditore, che si metterà in contatto subito con Horizon per prendere una decisione che vi possa aiutare nel più breve tempo possibile.

### Manutenzione e riparazione

Se il prodotto deve essere ispezionato o riparato, si prega di rivolgersi ad un rivenditore specializzato o direttamente ad Horizon. Il prodotto deve essere imballato con cura. Bisogna far notare che i box originali solitamente non sono adatti per effettuare una spedizione senza subire alcun danno. Bisogna effettuare una spedizione via corriere che fornisce una tracciabilità e un'assicurazione, in quanto Horizon non si assume alcuna responsabilità in relazione alla spedizione del prodotto. Inserire il prodotto in una busta assieme ad una descrizione dettagliata degli errori e ad una lista di tutti i singoli componenti spediti. Inoltre abbiamo bisogno di un indirizzo completo, di un numero di telefono per chiedere ulteriori domande e di un indirizzo e-mail.

### Garanzia e riparazione

Le richieste in garanzia verranno elaborate solo se è presente una prova d'acquisto in originale proveniente da un rivenditore specializzato autorizzato, nella quale è ben visibile la data di acquisto. Se la garanzia viene confermata, allora il prodotto verrà riparato o sostituito. Questa decisione spetta esclusivamente a Horizon Hobby.

### Riparazioni a pagamento

Se bisogna effettuare una riparazione a pagamento, effettueremo un preventivo che verrà inoltrato al vostro rivenditore. La riparazione verrà effettuata dopo l'autorizzazione da parte del vostro rivenditore. La somma per la riparazione dovrà essere pagata al vostro rivenditore. Le riparazioni a pagamento avranno un costo minimo di 30 minuti di lavoro e in fattura includeranno le spese di restituzione. Qualsiasi riparazione non pagata e non richiesta entro 90 giorni verrà considerata abbandonata e verrà gestita di conseguenza.

**ATTENZIONE:** Le riparazioni a pagamento sono disponibili solo sull'elettronica e sui motori. Le riparazioni a livello meccanico, soprattutto per gli elicotteri e le vetture RC, sono molto costose e devono essere effettuate autonomamente dall'acquirente.

10/15

## GARANZIA E ASSISTENZA - INFORMAZIONI PER I CONTATTI

STATO DI ACQUISTO	HORIZON HOBBY	TELEFONO/INDIRIZZO E-MAIL	INDIRIZZO
Unione Europea	Horizon Technischer Service Sales: Horizon Hobby GmbH	service@horizonhobby.de +49 (0) 4121 2655 100	Hanskampring 9 D 22885 Barsbüttel, Germany

## DICHIARAZIONE DI CONFORMITÀ PER L'UNIONE EUROPEA

### CE DICHIARAZIONE DI CONFORMITÀ UE: Axial Capra UTB18. SLT2 4WD RTR (AXI-1750)

Con la presente, Horizon Hobby, LLC dichiara che il dispositivo è conforme a quanto segue: Direttiva europea bassa tensione (LVD) 2014/35/UE, Direttiva europea sulla compatibilità elettromagnetica (EMC) 2014/30/UE and Direttiva europea sulle apparecchiature radio (RED) 2014/53/UE, Direttiva RoHS 2 2011/65 / UE, Direttiva RoHS 3 - Modifica 2011/65 / UE allegato II 2015/863.

Il testo completo della dichiarazione di conformità UE è disponibile al seguente indirizzo internet: <https://www.horizonhobby.com/content/support-render-compliance>.

#### Gamma di frequenza wireless / Potenza di uscita wireless

##### Trasmittitore

2410MHz—2480MHz  
23.23dB

##### RICEVITORE

2404-2476MHz  
-1.33 dBm

#### Produttore ufficiale dell'UE:

Horizon Hobby, LLC  
2904 Research Road  
Champaign, IL 61822 USA

#### Importatore ufficiale dell'UE:

Horizon Hobby, GmbH  
Hanskampring 9  
22885 Barsbüttel Germany

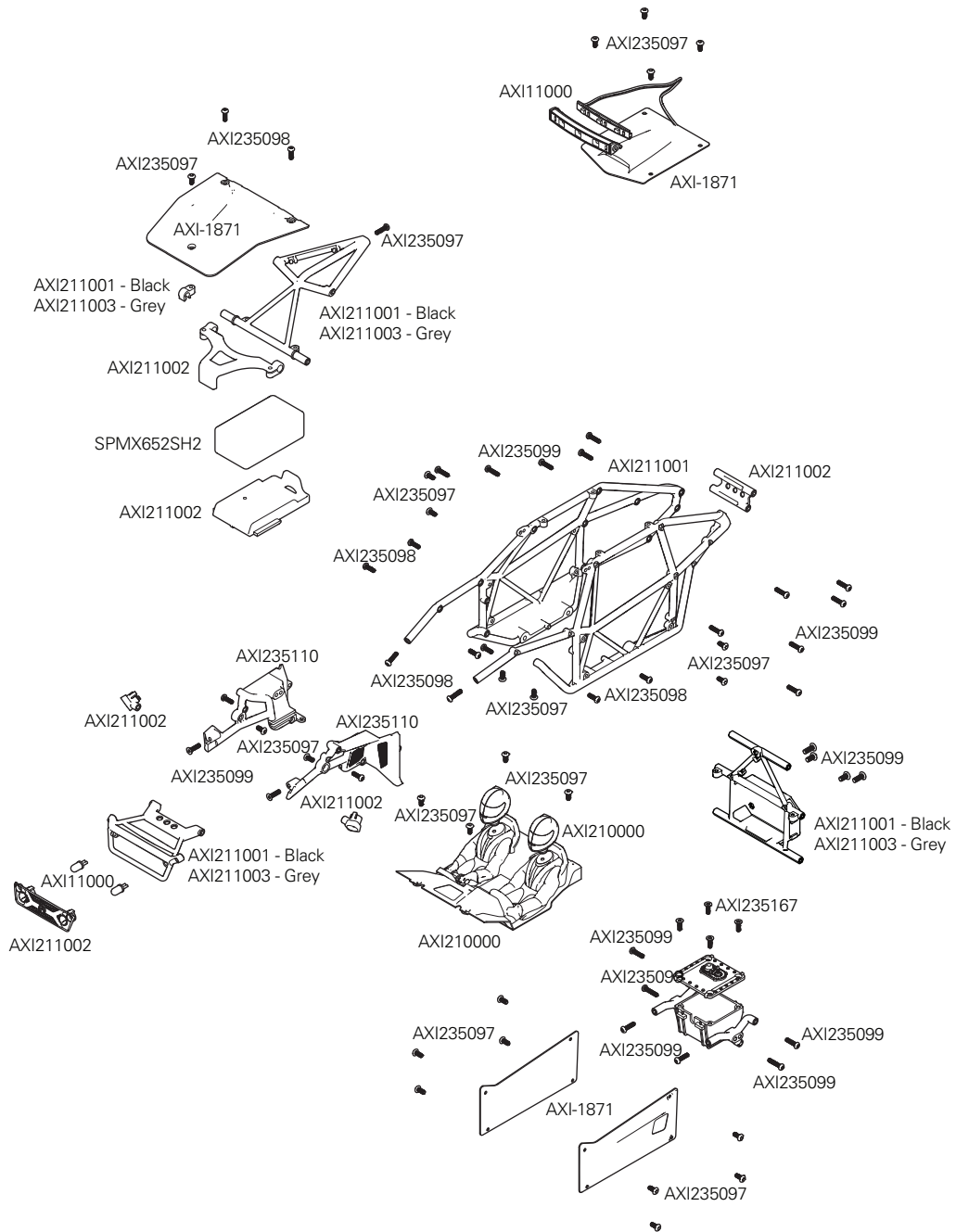
#### AVVISO RAEE:



Questo dispositivo è marcato ai sensi della Direttiva europea 2012/19/UE riguardante i rifiuti di apparecchiature elettriche ed elettroniche (RAEE). Il simbolo indica che il prodotto non va smaltito insieme ai rifiuti domestici. Il prodotto deve essere consegnato agli appositi centri di raccolta per consentirne il recupero e il riciclaggio.

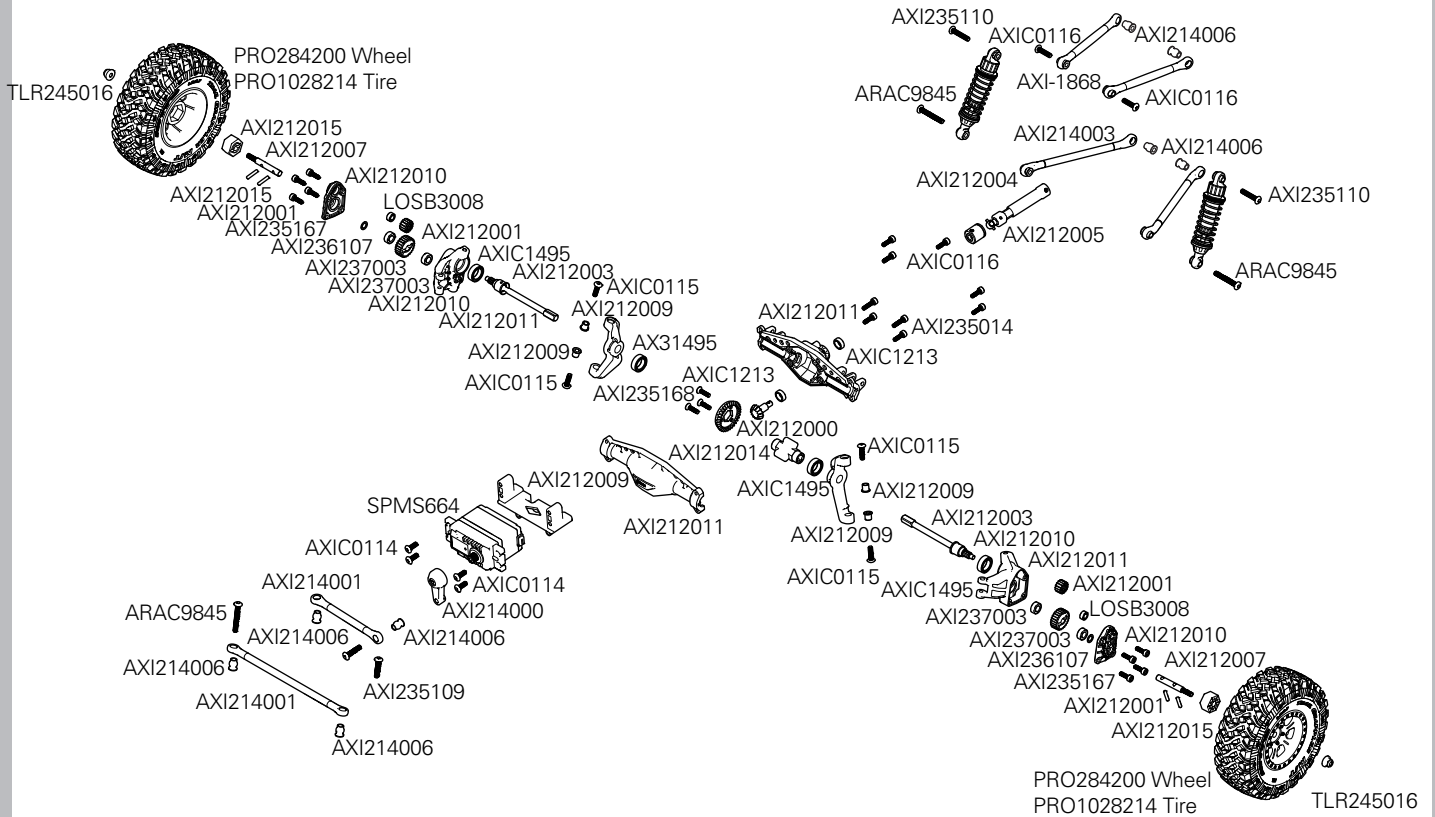
**EXPLODED VIEWS // EXPLOSIONSZEICHNUNGEN // VUES ÉCLATÉES // VISTE ESPLOSE**

**CHASSIS  
KAROSSERIE  
CHÂSSIS  
TELAIO**



**EXPLODED VIEWS // EXPLOSIONSZEICHNUNGEN // VUES ÉCLATÉES // VISTE ESPLOSE**

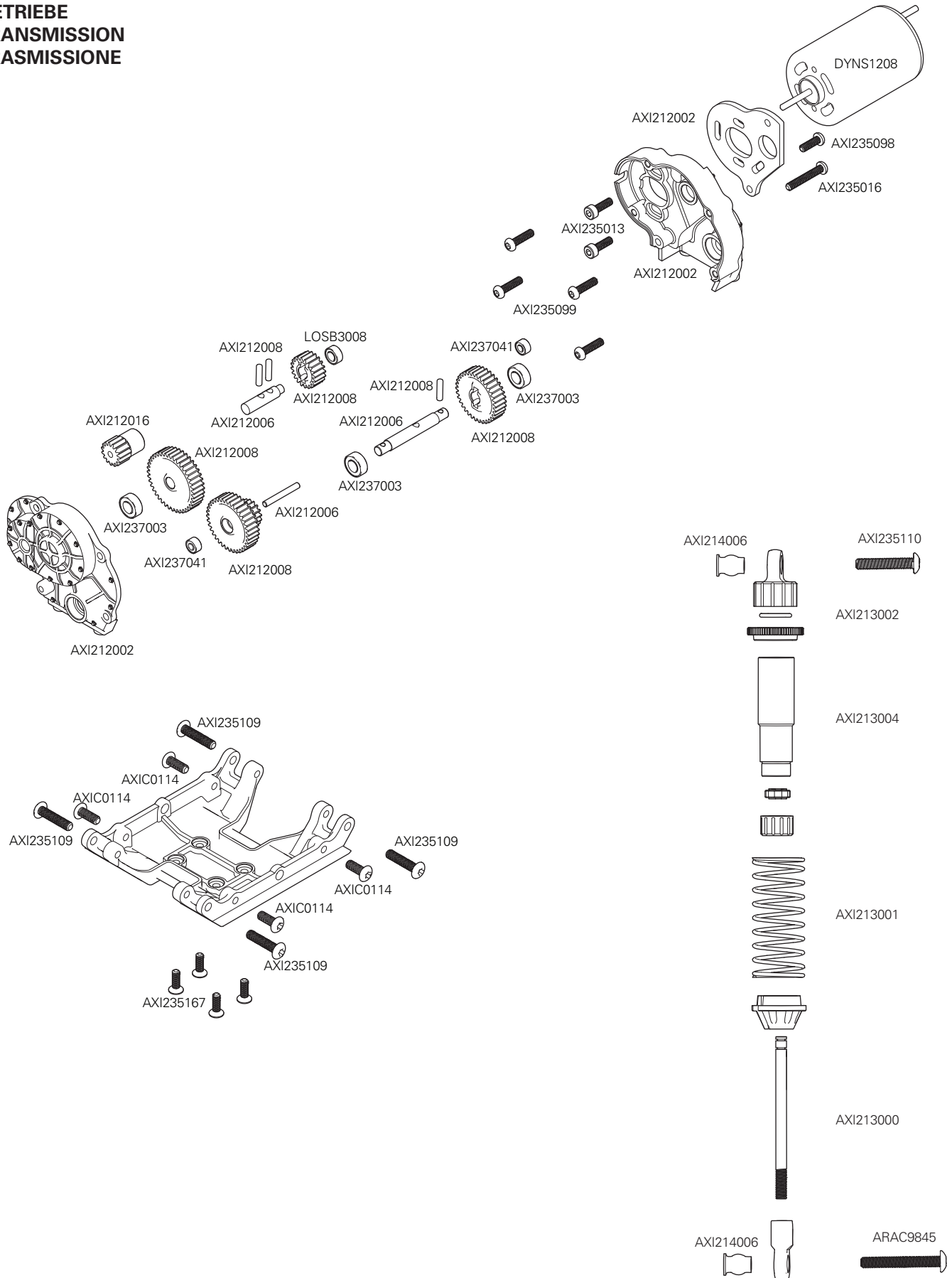
**STEERING AXLE  
LENKACHSE  
ESSIEU DIRECTEUR  
ASSE STERZANTE**





**EXPLODED VIEWS // EXPLOSIONSZEICHNUNGEN // VUES ÉCLATÉES // VISTE ESPLOSE**

**TRANSMISSION  
GETRIEBE  
TRANSMISSION  
TRASMISSIONE**



**PARTS LISTS // TEILELISTEN // LISTE DES PIÈCES // ELENCO COMPONENTI**

Part #	Description	Beschreibung	Description	Descrizione
ARAC9845	AR721322 Button Head Screw 3x22mm (10)	AR721322 Rundkopfschraube, 3 x 22 mm (10)	Vis à tête bombée AR721322, 3 x 22 mm (10)	AR721322 Vite a testa cilindrica 3x22 mm (10)
AXI11000	LED Lights(4) / Light Bar: UTB18	LED-Leuchten (4)/Leuchtbalken: UTB18	(4) éclairages/barre d'éclairage à DEL : UTB18	Luci LED (4) / Barra luminosa: UTB18
AXI-1868	Upper Link Set Front, Rear, UTB18 4WS	Oberer Verbindungssatz, vorne, hinten, UTB18 4WS	Ensemble de timonerie supérieure, avant, arrière, UTB18 4WS	Set braccetti superiori ant., post., UTB18 4WS
AXI-1871	Body Panel Set (Clear): Capra, UTB18 4WS	Karosserieteilesatz (farblos): Capra, UTB18 4WS	Ensemble de panneaux de carrosserie (transparent) : Capra, UTB18 4WS	Pannelli carroz. (trasparenti): Capra, UTB18 4WS
AXI210000	Interior Set, Clear, Capra: UTB18	Innensatz, transparent, Capra: UTB18	Ensemble intérieur, transparent, Capra : UTB18	Set interni, trasp., Capra: UTB18
AXI211002	Capra Cage Components, (Black): UTB18	Capra Käfig-Komponenten, (Schwarz): UTB18	Composants de cage Capra (noirs) : UTB18	Componenti Roll Cage Capra, (nero): UTB18
AXI211003	Cage Set, Complete, Grey: UTB18	Überrollkäfigset, komplett, Grau: UTB18	Ensemble cage, complet, gris : UTB18	Set scocca completa, grigio: UTB18
AXI212000	48P Bevel Gear Set 33T/13T: UTB18	48P Kegelartriebessatz 33T/13T: UTB18	Ensemble d'engrenages coniques 48P 33T/13T : UTB18	Set ingranaggi conici 48P 33T/13T: UTB18
AXI212001	48P Portal Gear Set 26T/15T (2): UTB18	48P Portalachssatz 26T/15T (2): UTB18	Ensemble engrenage portique 48P 26T/15T (2) : UTB18	Set ingranaggi Portal 48P 26T/15T (2): UTB18
AXI212002	Transmission Housing Set: UTB18	Getriebegehäusesatz: UTB18	Ensemble boîte de transmission : UTB18	Set alloggiamento trasmissione: UTB18
AXI212003	Universal Axle Set (2): UTB18	Universalachsenset (2): UTB18	Ensemble essieu universel (2) : UTB18	Set assale universale (2): UTB18
AXI212004	WB8-18 Driveshaft Coupler Set: UTB18	WB8-18- Antriebswellenkupplungssatz: UTB18	Ensemble de couplage d'arbre de transmission WB8-18 : UTB18	Set accop. albero trasmissione WB8-18: UTB18
AXI212005	WB8-18 Driveshaft Set: UTB18	WB8-18 Antriebswellensatz: UTB18	Ensemble arbre moteur WB8-18 : UTB18	Set albero trasmissione WB8-18: UTB18
AXI212006	Transmission Shaft Set (3): UTB18	Getriebewellensatz (3): UTB18	Ensemble arbre de transmission (3) : UTB18	Set alberi trasmissione (3): UTB18
AXI212007	Portal Stub Axle (2): UTB18	Portalachsschenkel (2): UTB18	Demi-essieu de portique (2) : UTB18	Fusello Portal (2): UTB18
AXI212008	48P Transmission Gear Set: UTB18	48P Übersetzungsgetriebe: UTB18	Ensemble de la boîte de transmission 48P : UTB18	Set ingranaggi trasmissione 48P: UTB18
AXI212009	Portal Axle Components,Front:UTB18	Portalachsen-Komponenten, vorne: UTB18	Composants d'essieu du portique, avant : UTB18	Componenti assale Portal, ant.: UTB18
AXI212010	Portal Strng Knkle Set: UTB18	Portallenkrollensatz: UTB18	Ensemble rotule de direction de portique : UTB18	Set fuso a snodo Portal: UTB18
AXI212011	Currie F9 Portal Axle Housng: UTB18	Currie F9 Portalachsgehäuse: UTB18	Logement d'essieu du portique Currie F9 : UTB18	Alloggiamento assale Currie F9 Portal: UTB18
AXI212014	Axle Differential Spool: UTB18	Achsdifferentialspule: UTB18	Spool de différentiel d'essieu : UTB18	Cursore diff assale: UTB18
AXI212015	12mm Hex Hub Set (4): UTB18	12 mm Hexnabensatz (4): UTB18	Ensemble moyeu hexagonal 12 mm (4) : UTB18	Set mozzo hex 12 mm (4): UTB18
AXI212016	Pinion Gear 48P 13T -Steel 2.3 Shaft	Zahnradgetriebe 48P 13T - Stahl 2.3 Welle	Engrenage à pignons 48P 13T - Arbre 2,3 acier	Pignone 48P 13T, Acciaio 2,3 Albero
AXI213000	Shock Shaft M3x45mm (2): UTB18	Kolbenstange M3 x 45 mm (2): UTB18	Bras d'amortisseur M3 x 45 mm (2) : UTB18	Albero amm M3x45 mm (2): UTB18
AXI213001	Spring 13x54mm 1.7lbs/in (2): UTB18	Feder 13 x 54 mm 1,7 lbs/in (794 g/Zoll) (2): UTB18	Ressort 13 x 54 mm 1,7 lb/po (2) : UTB18	Molla 13x54 mm 1,7 lb/in (2): UTB18
AXI213002	Shock O-Ring Set (4): UTB18	O-Ring-Satz für den Stoßdämpfer (4): UTB18	Ensemble joint torique d'amortisseur (4) : UTB18	Set O-Ring amm (4): UTB18
AXI213003	Shock Parts (4): UTB18	Stoßdämpferteile (4): UTB18	Pièces d'amortisseur (4) : UTB18	Ricambi amm (4): UTB18
AXI213004	Shock Body 10x33mm (2): UTB18	Stoßdämpfergehäuse 10 x 33 mm (2): UTB18	Corps d'amortisseur 10 x 33 mm (2) : UTB18	Corpo amm 10x33mm (2): UTB18
AXI214000	Servo Horn Set 23/25T: UTB18	Servohornsatz 23/25T: UTB18	Ensemble renvoi de commande de servo 23/25T : UTB18	Set squad servo 23/25T: UTB18
AXI214001	Steering Link Set: UTB18	Lenkgliedsatz: UTB18	Ensemble timonerie de direction : UTB18	Set braccetti sterzo: UTB18
AXI214003	Stainless Links M3x68.5(2):UTB18	Edelstahlstangen M3 x 68,5 (2): UTB18	Timonerie en acier inoxydable M3 x 68,5 (2) : UTB18	Tiranti acciaio inox M3x68.5(2):UTB18
AXI214004	Stainless Links M3x83 (2): UTB18	Edelstahlstangen M3 x 83 (2): UTB18	Timonerie en acier inoxydable M3 x 83 (2) : UTB18	Tiranti acciaio inox M3x83(2): UTB18
AXI214006	Rod Ends M3 (20): UTB18	Stangenkopf M3 (20): UTB18	Embouts de bielle M3 (20) : UTB18	Teste snodo M3 (20): UTB18
AXI221000	Chassis Skid Plate: UTB18	Gleitplatte Fahrwerk: UTB18	Plaque de protection pour châssis : UTB18	Prot. sottoscocca telaio: UTB18
AXI235013	M2.5x8 Cap Head Screw (10)	M2,5 x 8 Inbusschraube (10)	Vis d'assemblage creuse M2,5 x 8 (10)	Vite testa cilindrica M2.5x8 (10)
AXI235014	M2.5 x 10mm, Cap Head Screw (10)	M2,5 x 10 mm, Inbusschraube (10)	Vis d'assemblage creuse, M2,5 x 10 mm (10)	Viti testa cilindrica M2.5x10 (10)
AXI235167	M2.5 x 8mm Flat Head Screw (10)	M2,5 x 8 mm Flachkopfschraube (10)	Vis à tête plate M2,5 x 8 mm (10)	Viti testa piatta M2.5x8 mm (10)
AXI235168	M2.5 x 10mm Flat Head Screw (10)	M2,5 x 10 mm Flachkopfschraube (10)	Vis à tête plate M2,5 x 10 mm (10)	Viti testa piatta M2.5x10 mm (10)
AXI236107	4x6x0.3mm Washer (10)	4 x 6 x 0,3 mm Unterlegscheibe (10)	Rondelle 4 x 6 x 0,3 mm (10)	Rondelle 4x6x0,3 mm (10)
AXI237003	4mm x 8mm x 3mm Ball Bearing (2)	4 mm x 8 mm x 3 mm Kugellager (2)	Roulement à billes 4 x 8 x 3 mm (2)	Cuscinetti sfera 4x8x3 mm (2)
AXI237041	2x5x2.5mm Ball Bearing (2)	2 x 5 x 2,5 mm Kugellager (2)	Roulement à billes 2 x 5 x 2,5 mm (2)	Cuscinetti sfera 2x5x2,5 mm (2)
AXIC0005	AXA0113 Hex Socket Button Head Black M3x6mm (10)	AXA0113 M3 x 6 mm Sechskant-Rundkopf Schwarz (10)	Douille à six pans à tête bombée AXA0113 M3 x 6 mm noire (10)	AXA0113 Viti testa tonda esagono incassato nero M3x6 mm (10)

Part #	Description	Beschreibung	Description	Descrizione
AXIC0114	AXA114 Hex Sckt ButtonHead M3x8mm Black Oxide (10)	AXA114 M3 x 8 mm Sechskant-Rundkopf Schwarzoxid (10)	Douille à six pans à tête bombée AXA114 M3 x 8 mm brunie (10)	AXA114 Viti testa tonda esagono incassato M3x8mm nero ossido (10)
AXIC0115	AXA115 Hex Socket Button Head M3x10mm Black (10)	AXA115 M3 x 10 mm Sechskant-Rundkopf Schwarz (10)	Douille à six pans à tête bombée AXA115 M3 x 10 mm noire (10)	AXA115 Viti testa tonda esagono incassato M3x10 mm nero (10)
AXIC0116	AXA116 Hex Socket Button Head M3x12mm Black (10)	AXA116 M3 x 12 mm Sechskant-Rundkopf Schwarz (10)	Douille à six pans à tête bombée AXA116 M3 x 12 mm noire (10)	AXA116 Viti testa tonda esagono incassato M3x12mm nero (10)
AXIC0180	AXA180 Set Screw M3x3mm Black Oxide (10)	AXA180 M3 x 3 mm Stellschraube Schwarzoxid (10)	Vis de fixation AXA180 M3 x 3 mm brunie (10)	AXA180 Vite di fermo M3x3 mm nero ossido (10)
AXIC0392	AXA1392 E-Clip E2 (10)	AXA1392 E-Clip E2 (10)	Attache en E E2 AXA1392 (10)	AXA1392 E-Clip E2 (10)
AXIC1213	AXA1213 Bearing 5x8x2.5mm (2)	AXA1213 Lager 5 x 8 x 2,5 mm (2)	AXA1213 Roulement 5 x 8 x 2,5 mm (2)	AXA1213 Cuscinetto 5x8x2,5mm (2)
AXIC1495	AX31495 Bearing 8x12x3.55mm (2)	AX31495 Lager 8 x 12 x 3,55 mm (2)	AX31495 Roulement 8 x 12 x 3,55 mm (2)	AX31495 Cscnetto 8x12x3,55mm(2)
DYNS1208	Tazer 37-Turn 380 Brushed Motor	Tazer 380-Bürstenmotor mit 37 Turns	Moteur à balais Tazer 37-Turn 380	Motore a spazzole Tazer 37 T 380
LOSB3008	3x6x2.5mm Ball Bearing (2)	3 x 6 x 2,5 mm Kugellager (2)	Roulement à billes 3 x 6 x 2,5 mm (2)	Cuscinetti a sfera 3x6x2,5 mm (2)
PRO1028214	1/10 Class 0 Mickey Thompson Baja Pro X G8 F/R 1.55" Crawler Tires (2)	1/10 Klasse 0 Mickey Thompson Baja Pro X G8 F/R 1.55" Crawler-Reifen (2)	Pneus Crawler de 4 cm Classe 0 Mickey Thompson Baja Pro X G8 avant/arrière à l'échelle 1/10 (2)	Pneumatici Crawler 1/10 Class 0 Mickey Thompson Baja Pro X G8 F/R 1.55" (2)
PRO279800	Slot Mag 1.55 Alum Whls Rock Crawlers F/R	Slot Mag 1.55 Aluminiumräder Rock Crawlers F/R	Roues Rock Crawler en aluminium avant/arrière Slot Mag 4 cm	Ruote Rock Crawler Slot Mag 1.55 Alluminio Ant./Post.
PRO284200	1/10 Holcomb F/R 1.55" 12mm Crawler Bead-Loc Wheels (2) Black	1/10 Holcomb F/R 1.55" 12 mm Crawler Bead-Loc Räder (2) Schwarz	Roues à verrou de talon Crawler 12 mm de 4 cm Holcomb avant/arrière à l'échelle 1/10 (2) Noires	Ruote Bead-Lock Crawler 1/10 Holcomb 1.55" 12mm Ant./Post. (2) nero
PRO1028214	1/10 Class 0 Mickey Thompson Baja Pro X G8 F/R 1.55" Crawler Tires (2)	1/10 Klasse 0 Mickey Thompson Baja Pro X G8 F/R 1.55" Crawler-Reifen (2)	Pneus Crawler de 4 cm Classe 0 Mickey Thompson Baja Pro X G8 avant/arrière à l'échelle 1/10 (2)	Pneumatici Crawler 1/10 Class 0 Mickey Thompson Baja Pro X G8 F/R 1.55" (2)
PRO284200	1/10 Holcomb F/R 1.55" 12mm Crawler Bead-Loc Wheels (2) Black	1/10 Holcomb F/R 1.55" 12 mm Crawler Bead-Loc Räder (2) Schwarz	Roues à verrou de talon Crawler 12 mm de 4 cm Holcomb avant/arrière à l'échelle 1/10 (2) Noires	Ruote Bead-Lock Crawler 1/10 Holcomb 1.55" 12mm Ant./Post. (2) nero
TLR245016	M3 Flanged Lock Nuts (10)	M3 Sicherungsmuttern mit Flansch (10)	Contre-écrous à collet M3 (10)	Dadi flangiati M3 (10)

## ELECTRONICS // ELEKTRONIK // COMPOSANTS ÉLECTRONIQUES // ELETTRONICA

Part #	Description	Beschreibung	Description	Descrizione
SPMSLT300	SLT3 3CH 2.4Ghz with SR315 RX	SLT3 3CH 2,4 Ghz mit SR315 RX	Récepteur STL3 3 canaux 2,4 GHz avec SR315	SLT3 3 CH 2,4Ghz con RX SR315
SPMSR515	SR515 DSMR 5 CH Receiver	SR515 DSMR 5-Kanal-Empfänger	Récepteur SR515 DSMR 5 canaux	Ricevitore SR515 DSMR 5 CH
SPMX652SH2	650mAh 2S 7.4V Smart G2 30C LiPo; IC2	650 mAh 2S 7,4 V Smart G2 30C LiPo; IC2	LiPo Smart G2 30C 650 mAh 2S 7,4 V ; IC2	650 mAh 2S 7,4V Smart G2 30C LiPo; IC2
SPMXC0040	S10 Smart G2 LiPo USB-C Charger w/ IC2 Connector	S10 Smart G2 LiPo USB-C Ladegerät mit IC2-Anschluss	Chargeur USB-C S10 Smart G2 Li-Po avec connecteur IC2	Caricabatterie S10 Smart G2 LiPo USB-C con connettore IC2
SPMXSE1025	Firma 25A Brushed ESC	Firma 25 A Bürstengeschwindigkeitsregler	Variateur ESC à balais 25 A Firma	ESC 25 A a spazzole Firma
SPMS664	S664 Metal Gear Servo 25T, WP	S664 Metallgetriebeservo 25T WP	Servo à engrenages métalliques S664 , 25 dents, étanche	S664 Servo ingranaggi metallo 25T impermeabile

## OPTIONAL PARTS // OPTIONALE TEILE // PIÈCES FACULTATIVES // PARTI OPZIONALI

Part #	Description	Beschreibung	Description	Descrizione
AXI312004	Portal Box Cover, Brass(2):UTB18	Portalboxabdeckung, Messing (2): UTB18	Couvercle de boîte de portique, laiton (2) : UTB18	Cprch box Portal, ottone (2):UTB18
AXI312005	Hex Hubs, Brass (7g) (4): UTB18	Hexnaben, Messing (7 g) (4): UTB18	Moyeux hexagonaux, laiton (7 g) (4) : UTB18	Mozzi hex, ottone (7 g) (4): UTB18
AXI312006	48P Prt Gear OvrDrv 25T/16T(2)	48P Getriebeanschluss Übersteuerung 25T/16T(2)	Surmultiplicateur d'engrenage de portique 48P 25T/16T (2)	OvrDrv ingr 48P Prt 25T/16T (2)
AXI314001	Front Link Set, Alum: UTB18	Verbindungssatz Front, Alum: UTB18	Ensemble timonerie avant, aluminium : UTB18	Set braccetti anteriori, alu: UTB18
AXI314002	Steering Links Set, Alum: UTB18	Lenkgliedersatz, Alum: UTB18	Ensemble timonerie de direction, aluminium : UTB18	Set tiranti sterzo, alu: UTB18
SPMCX1080				
SPMXC1000	Smart S1200 DC Charger, 1x200W	Smart S1200 Gleichstrom-Ladegerät, 1x200 W	Chargeur c.c. S1200 Smart, 1 x 200 W	Caricabatterie Smart S1200 CC 1x200 W
SPMXC1010	Smart S2100 AC Charger, 2X100W	Smart S2100 Wechselstrom-Ladegerät, 2X100W	Chargeur c.a. Smart S2100, 2 x 100 W	Caricabatterie Smart S2100 AC 2x100 W
SPMXC1020	Smart S120 USB-C Charger, 1x20	Smart S120 USB-C-Ladegerät, 1 x 20 W	Chargeur Smart S120 USB-C, 1 x 20	Caricabatterie Smart S120 USB-C, 1x20 W
SPMXC1050	Smart S1500 DC Charger, 1x500W	Smart S1500 Gleichstrom-Ladegerät, 1x500 W	Chargeur Smart c.c. S1500, 1 x 500 W	Caricabatterie Smart S1500 CC, 1x500 W
SPMXC1070	Smart S150 AC/DC Charger, 1x50W	Smart S150 AC/DC Ladegerät, 1x50W	Chargeur Smart c.a./c.c. S150, 1 x 50 W	Caricabatterie Smart S150 AC/DC 1x50 W
SPMXC2010	Smart S2200 G2 AC Charger, 2x200W	Smart S2200 G2 Wechselstrom-Ladegerät, 2x200 W	Chargeur Smart CA S2200 G2, 2 x 200 W	Caricabatterie Smart S2200 G2 AC, 2x200 W
SPMXC2020	Smart S1200 G2 AC Charger; 1x200	Smart S1200 G2 Wechselstrom-Ladegerät; 1x200 W	Chargeur Smart CA S1200 G2, 1 x 200 W	Caricabatterie Smart S1200 CA G2, 1x200 W
SPMXC2040	Smart S1400 G2 AC Charger, 1x400	Smart S1400 G2 Wechselstrom-Ladegerät, 1x400	Chargeur c.a. Smart S1400 G2, 1 x 400	Caricabatterie SmartS1400 G2 AC1x400









**WE. BUILD. ADVENTURE.**

[facebook.com/axialinc](https://facebook.com/axialinc) | [instagram.com/axialadventure](https://instagram.com/axialadventure) | [twitter.com/axialrc](https://twitter.com/axialrc)  
[youtube.com/axialvideos](https://youtube.com/axialvideos) | [flickr.com/axialrc](https://flickr.com/axialrc)



[WWW.AXIALADVENTURE.COM](http://WWW.AXIALADVENTURE.COM)

©2024 Horizon Hobby, LLC.

Axial, the Axial logo, SCX-10, SLT2, IC3, EC3, Passport, and the Horizon Hobby logo are trademarks or registered trademarks of Horizon Hobby, LLC.

The Spektrum trademark is used with permission of Bachmann Industries, Inc. All other trademarks, service marks and logos are property of their respective owners.

US 9,930,567. US 10,419,970. US 10,849,013. Other patents pending.

Created 8/24

AXI-1750T1:T2

447627