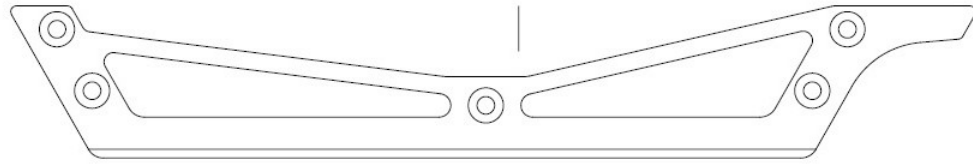


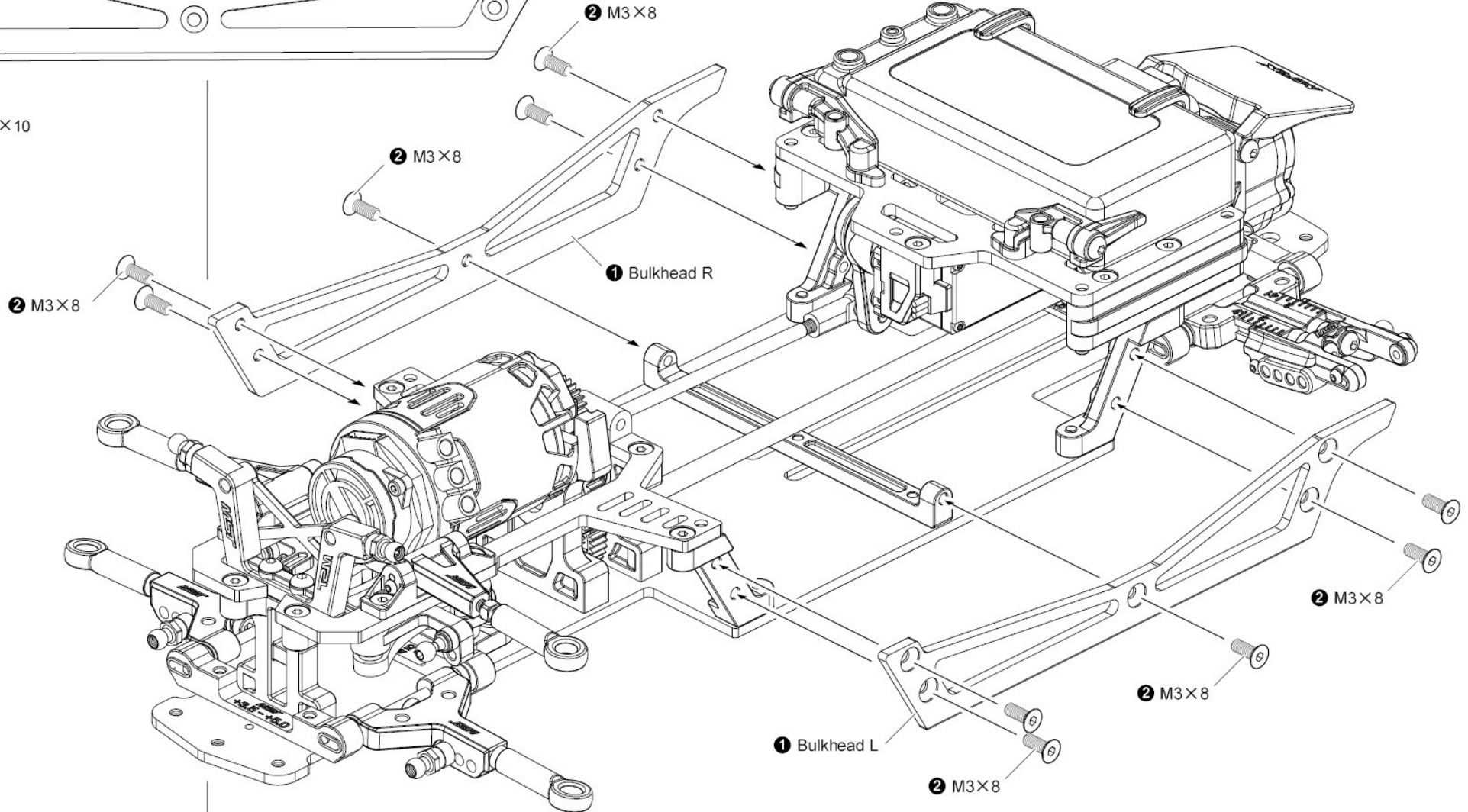
STEP 1 Bulkhead assembly
側板組裝



Bulkhead R / L × 1
側板 R / L



M3×8 screw × 10
沉頭螺絲



STEP 1 Rear upper turnbuckle assembly
後上拉桿組裝

4.8 Ball connector × 2
外六角球頭

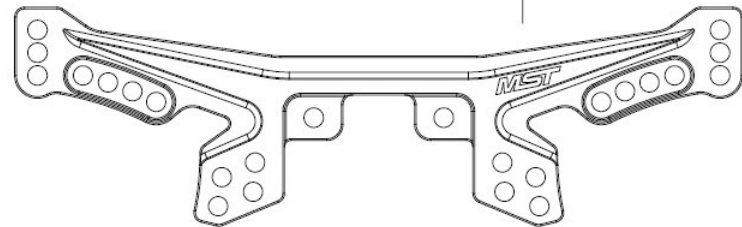
4.8 Ball connector L × 2
外六角球頭

M3×10 screw × 6
圓頭螺絲

M3×28 Alum. turnbuckle × 2
鋁合金可調拉桿

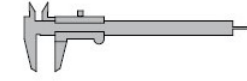
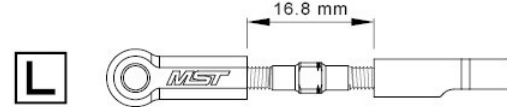
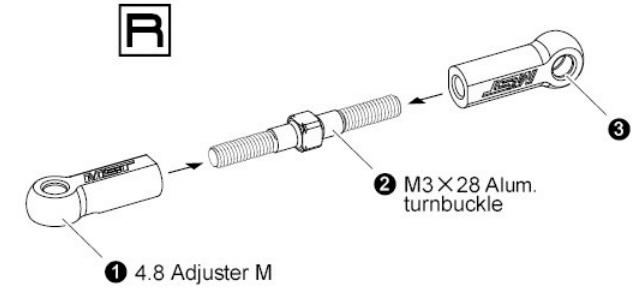
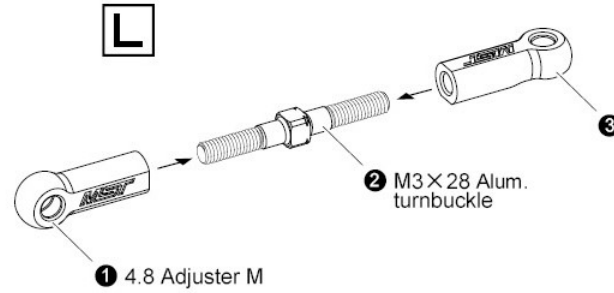
4.8 Adjuster M × 4
拉桿頭

Bag 5

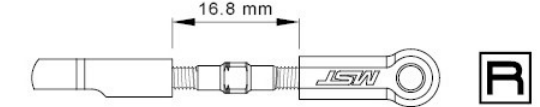


Rear damper stay × 1
後避震架

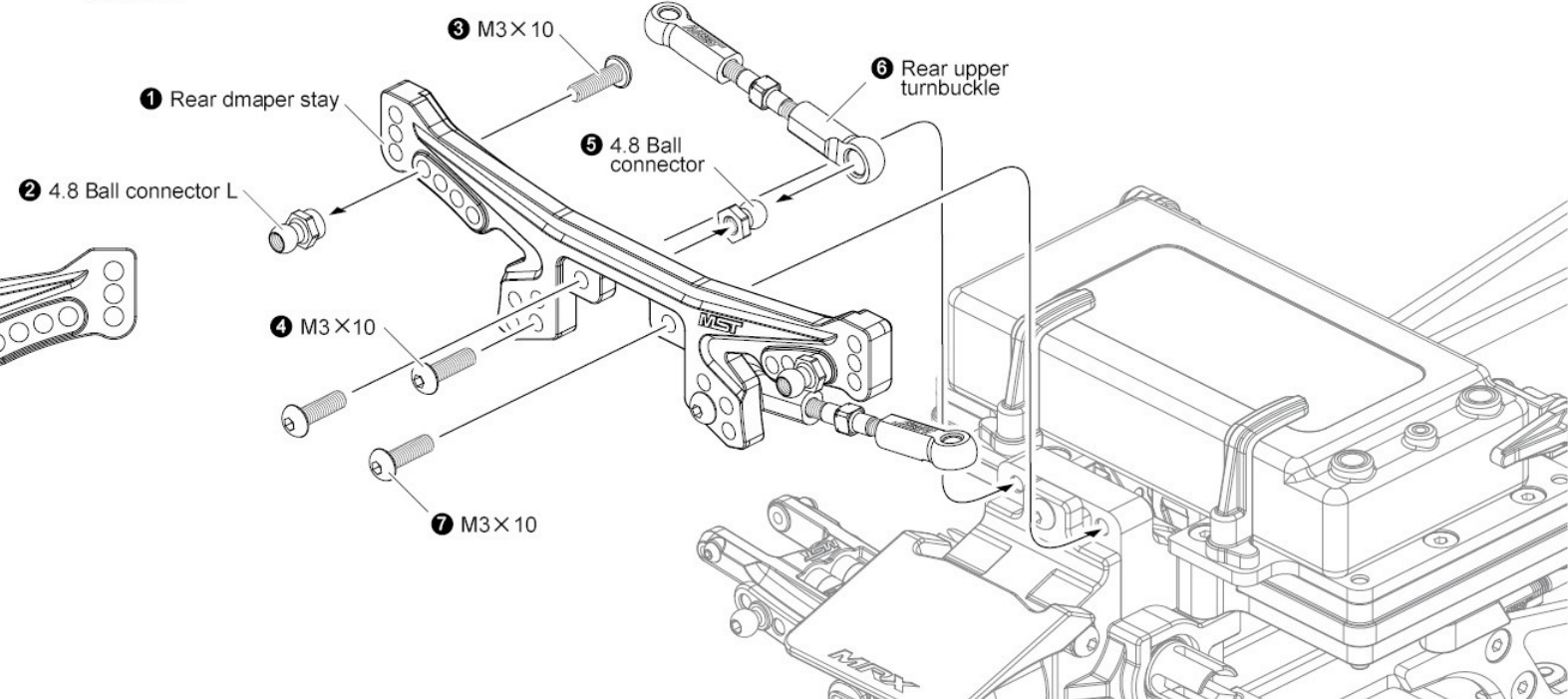
Bag 4

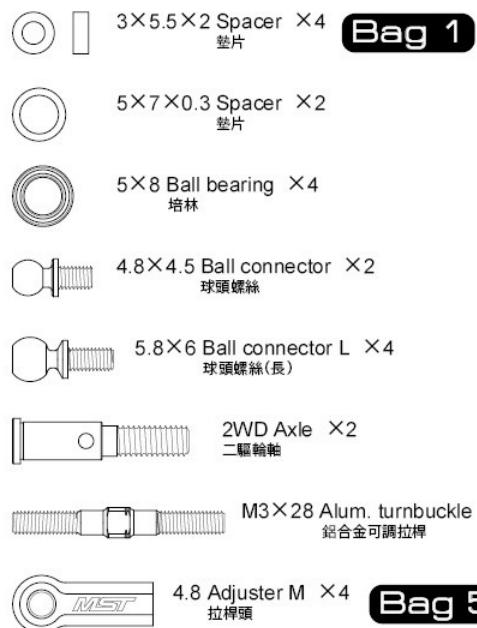
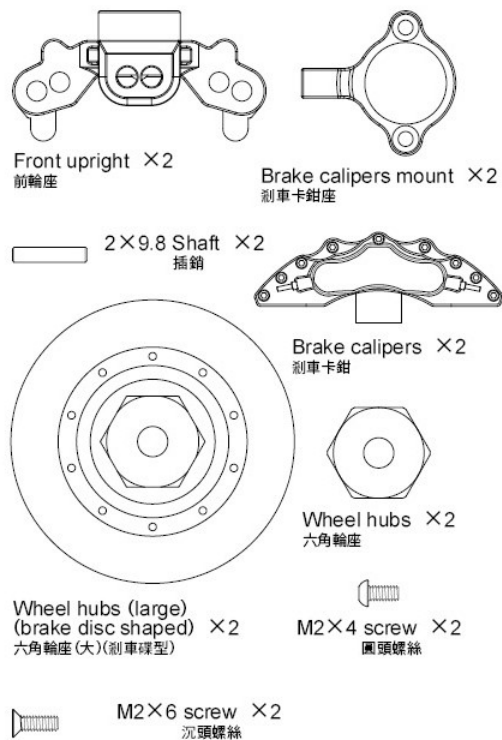


※ Please use a caliper for precise measurements.
請使用卡尺進行精確測量

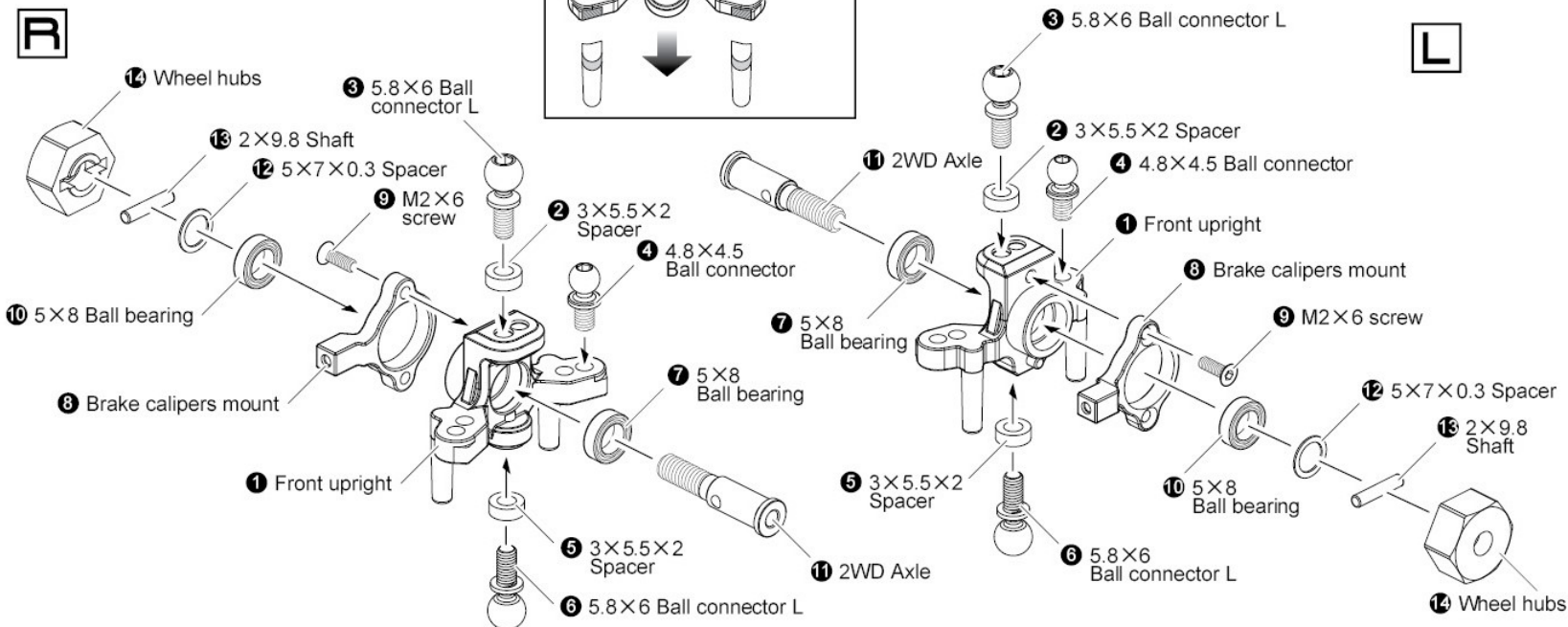


STEP 2 Attaching rear damper stay
安裝後避震架

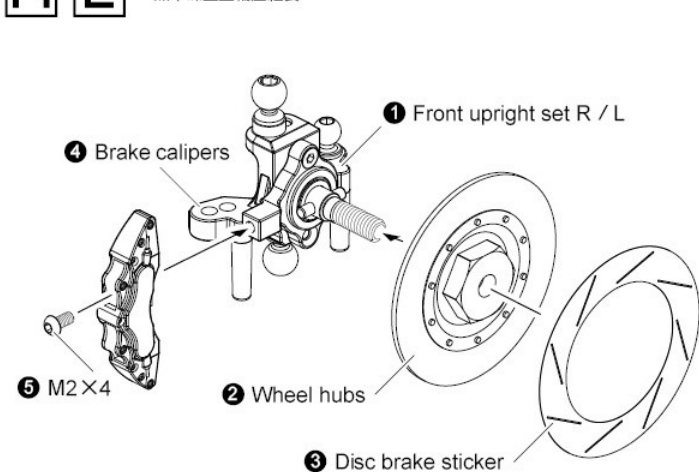




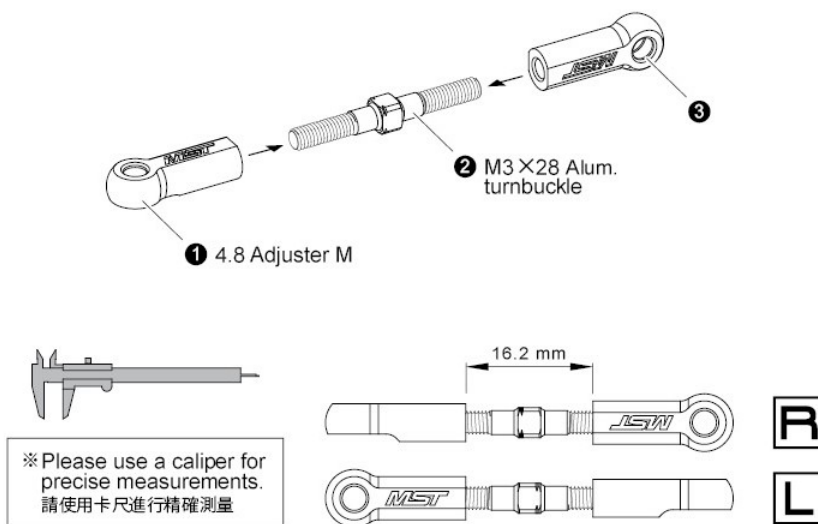
STEP 1 Front axle assembly
前輪座組裝



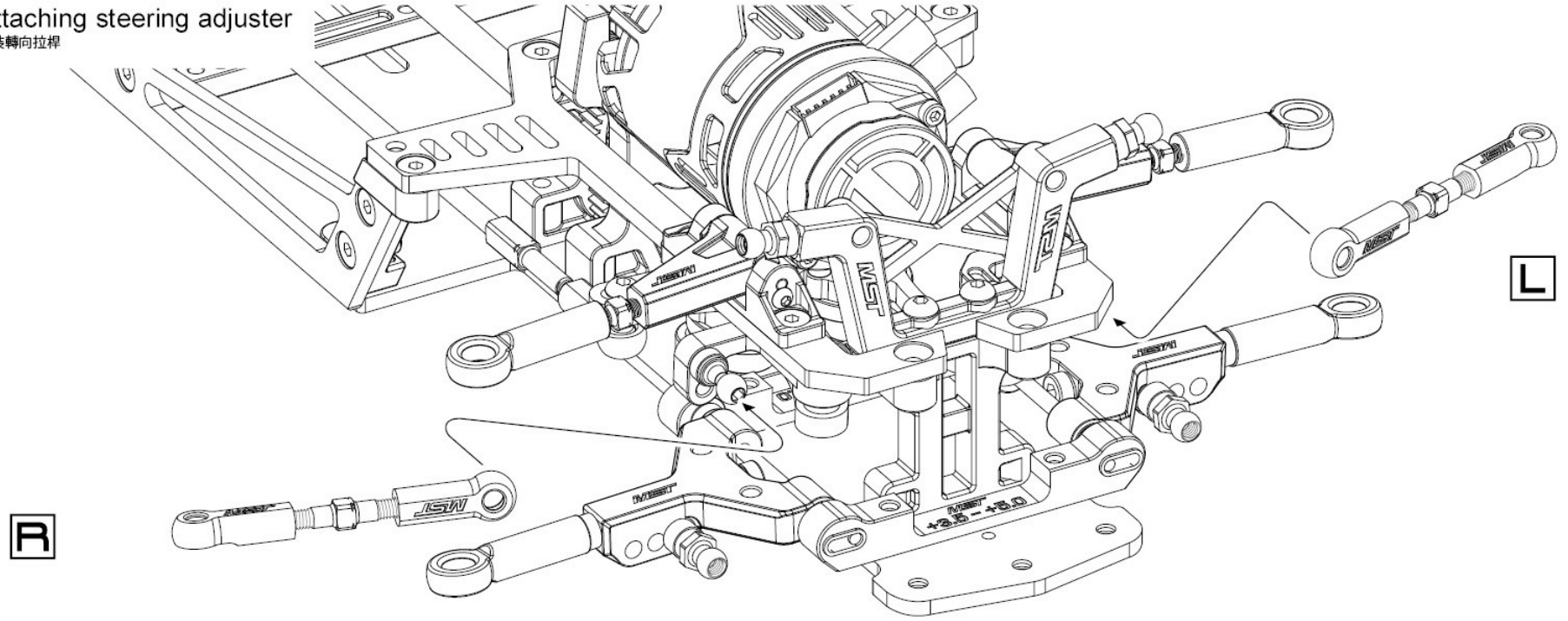
STEP 1 Wheel hubs assembly
(Brake disc shaped)
剎車碟型輪座組裝



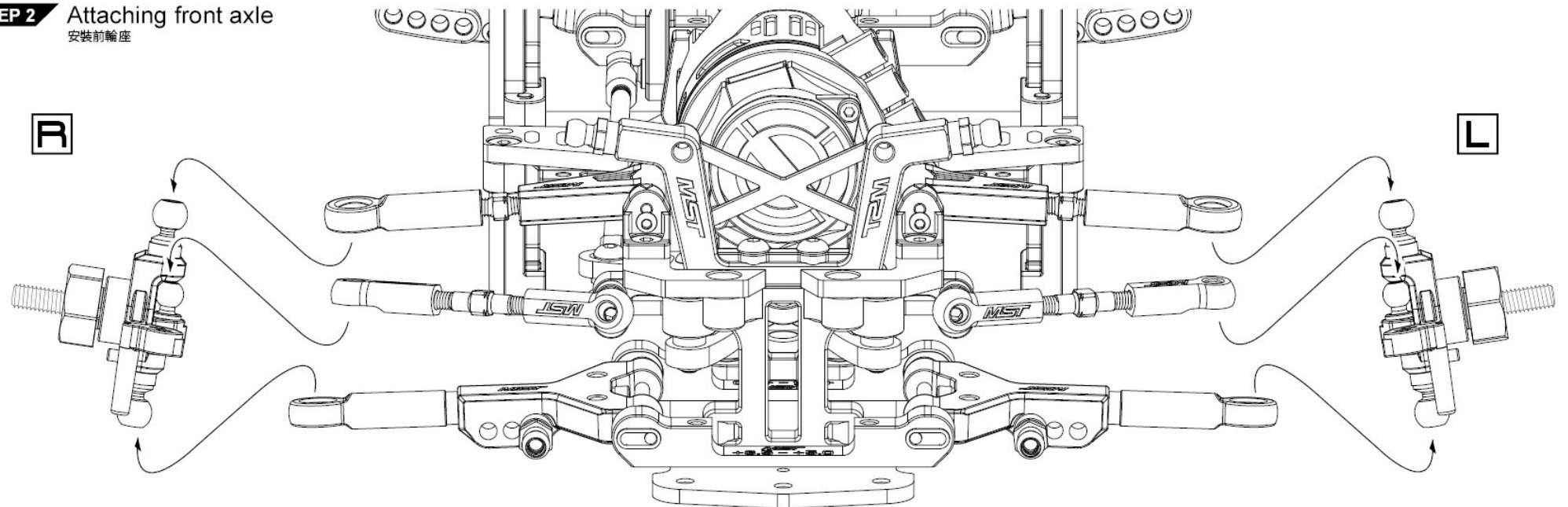
STEP 2 Steering adjuster assembly
轉向拉桿組裝

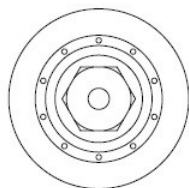


STEP 1 Attaching steering adjuster
安裝轉向拉桿

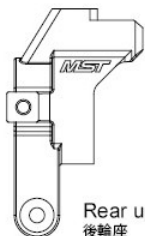


STEP 2 Attaching front axle
安裝前輪座





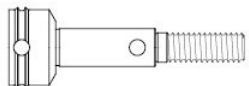
Wheel hubs (small)
(brake disc shaped) ×2
六角輪座(小)(剎車碟型)



Rear upright X2
後輪座



Steel CVD universal shaft 38.5 ×2
鋼製CVD傳動軸 38.5



Wheel axle ×2
萬向接杯



Brake calipers ×2
剎車卡鉗



4.8 Ball connector L ×2
外六角球頭(長)



Wheel hubs ×2
六角輪座



Cross joint ×2
連接軸



M2×3 screw ×4
圓頭螺絲



M2×4 screw ×2
圓頭螺絲



M3×2.6 screw ×2
止付螺絲



M3×12 screw ×2
止付螺絲



2×9.8 Shaft ×2
插銷



2×9.8 Shaft ×2
插銷



2×22 Shaft ×2
插銷



5×7×0.1 Spacer ×2
墊片

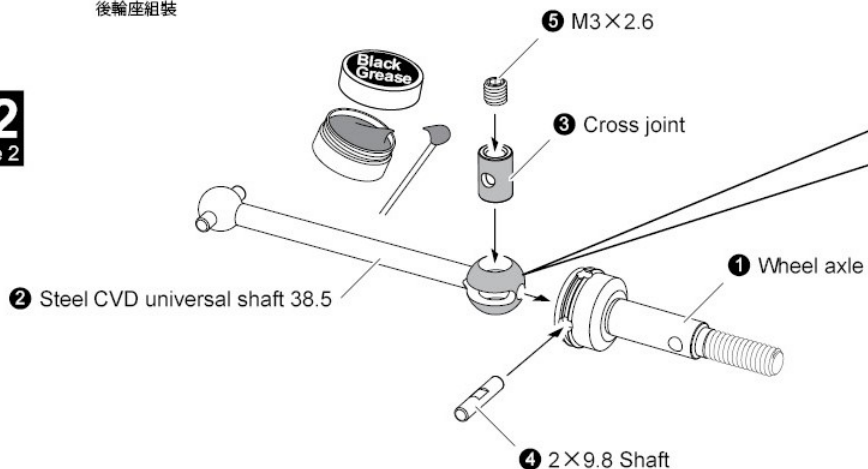


5×10 Ball bearing ×4
培林

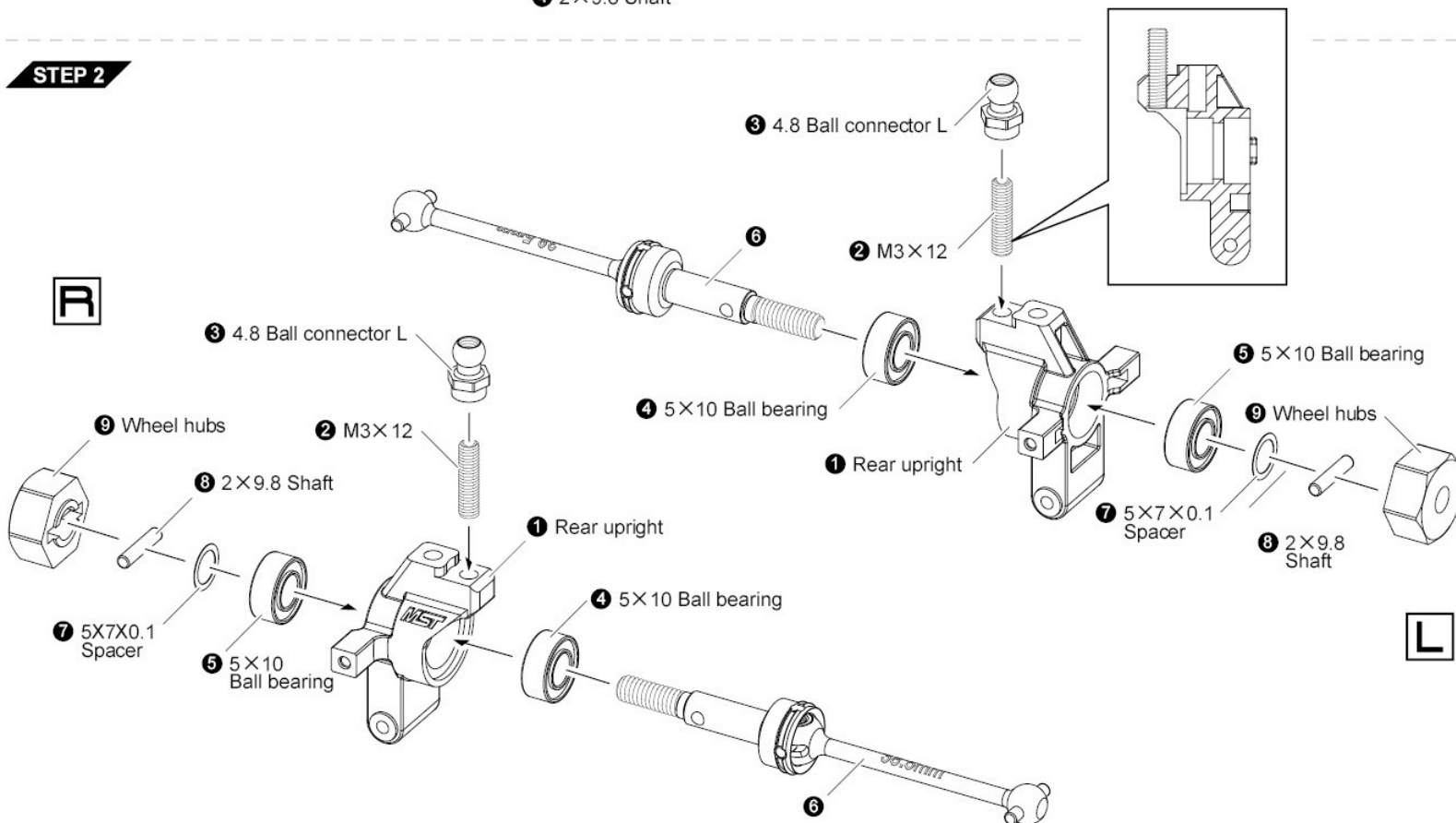
STEP 1 Rear axle assembly

後輪座組裝

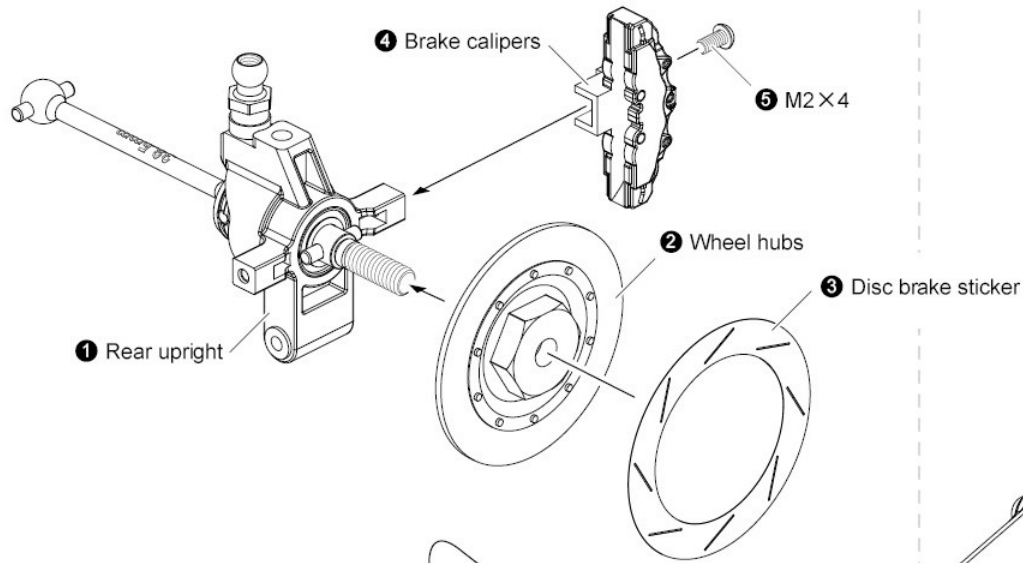
X2
Make 2



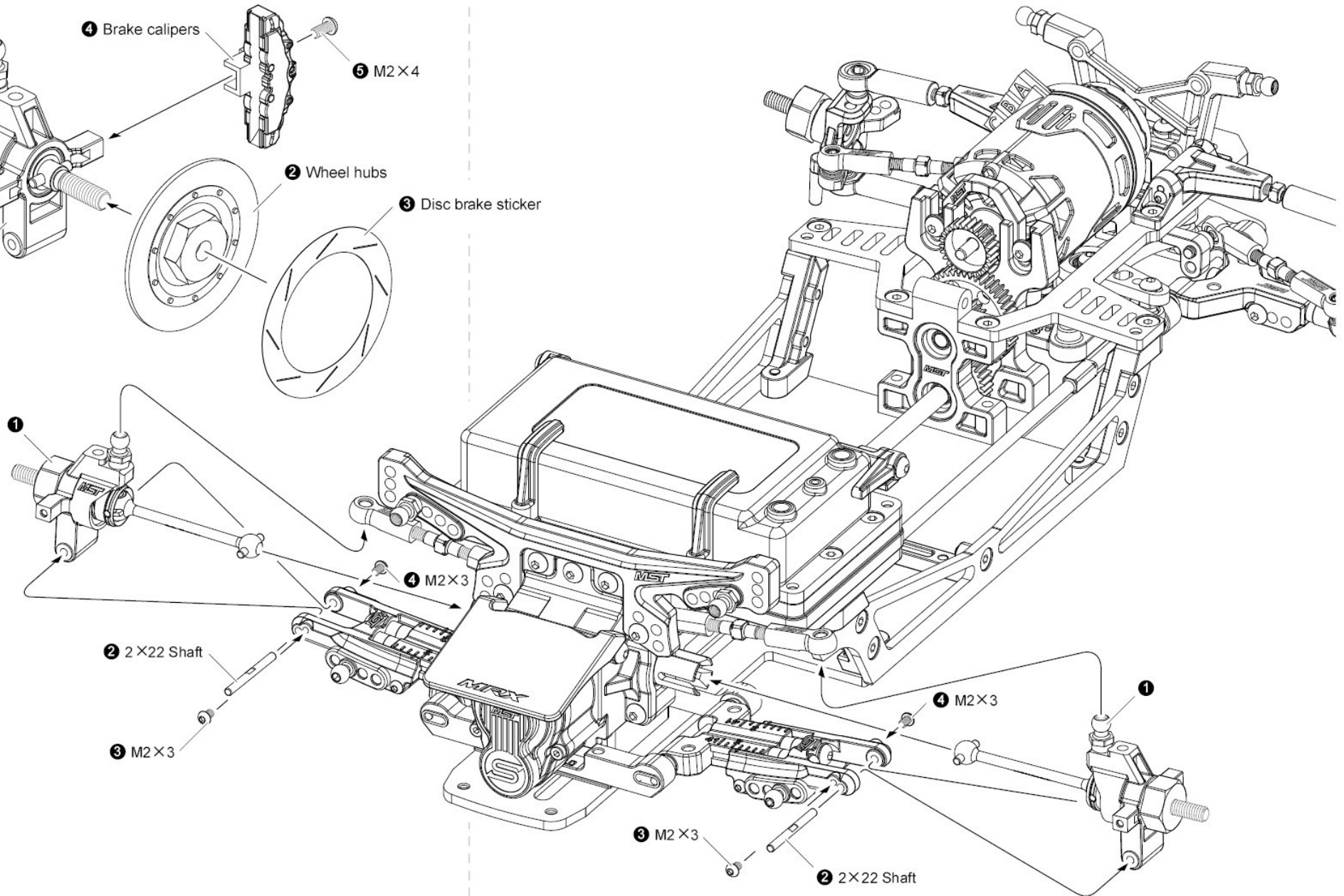
STEP 2

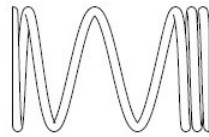


STEP 2 Wheel hubs assembly
(Brake disc shaped)
煞車碟盤型輪座組裝

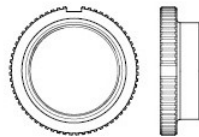


STEP 3 Attaching rear axle
安裝後輪座

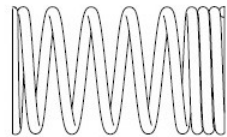




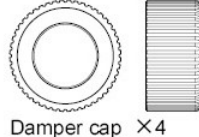
DK-RWD Drift spring (26mm) ×2 (red)
DK-RWD飄移車前避震彈簧(26mm) (紅)



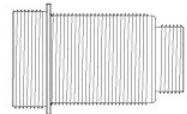
Spring retainer ×4
避震調整環



DK-RWD Drift spring (28mm) ×2 (purple-green)
DK-RWD飄移車後避震彈簧(28mm) (紫綠)



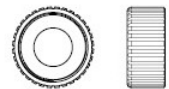
Damper cap ×4
避震器上蓋



Damper cylinder ×4
避震筒身



Rod guide ×4
避震器下蓋墊片



Rod guide cap ×4
避震器下蓋



Damper O-ring P3 ×4
避震器O環



12×1 O-ring ×4
O環



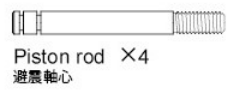
3×1.2 Piston ×4
避震活塞



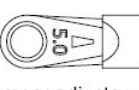
Damper seal ×4
避震器氣室



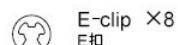
Damper retainer ×4
避震器彈簧座



Piston rod ×4
避震軸心



Damper adjuster ×2
避震器拉桿



E-clip ×8
E扣



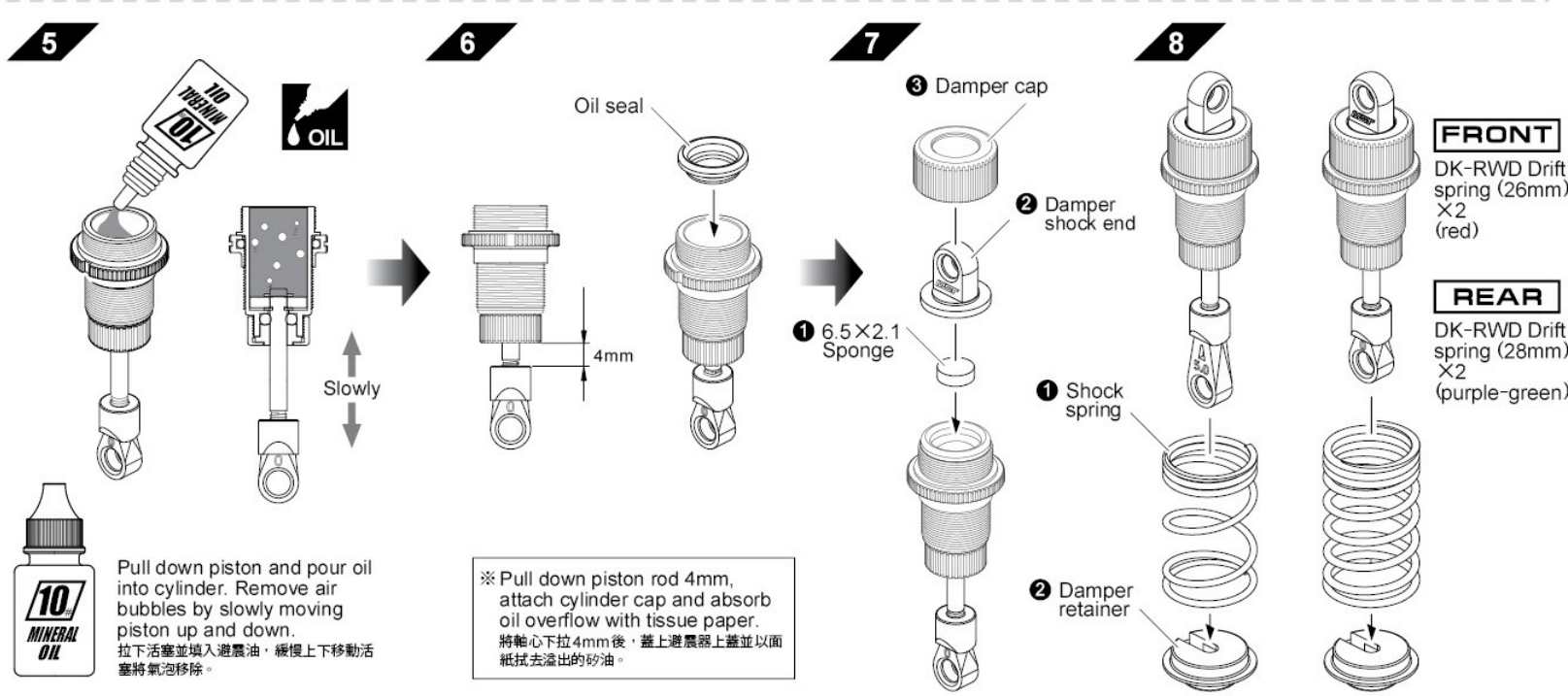
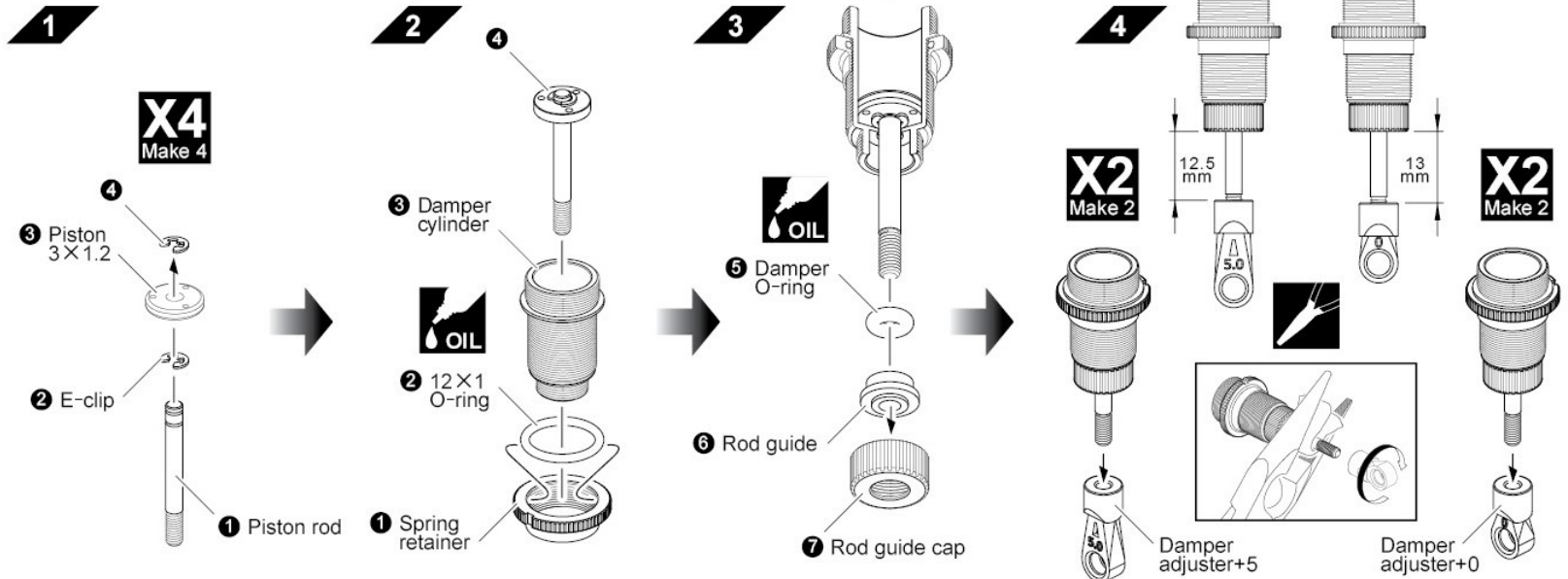
Damper adjuster ×2
避震器拉桿



Damper shock end ×4
避震上球頭座

STEP 1 Damper assembly
避震器組裝

※ Please assemble the part by number in the circle.
請按照球號順序組裝

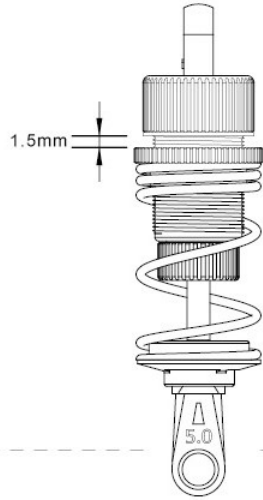


Pull down piston and pour oil into cylinder. Remove air bubbles by slowly moving piston up and down.
拉下活塞並填入避震油，緩慢上下移動活塞將氣泡移除。

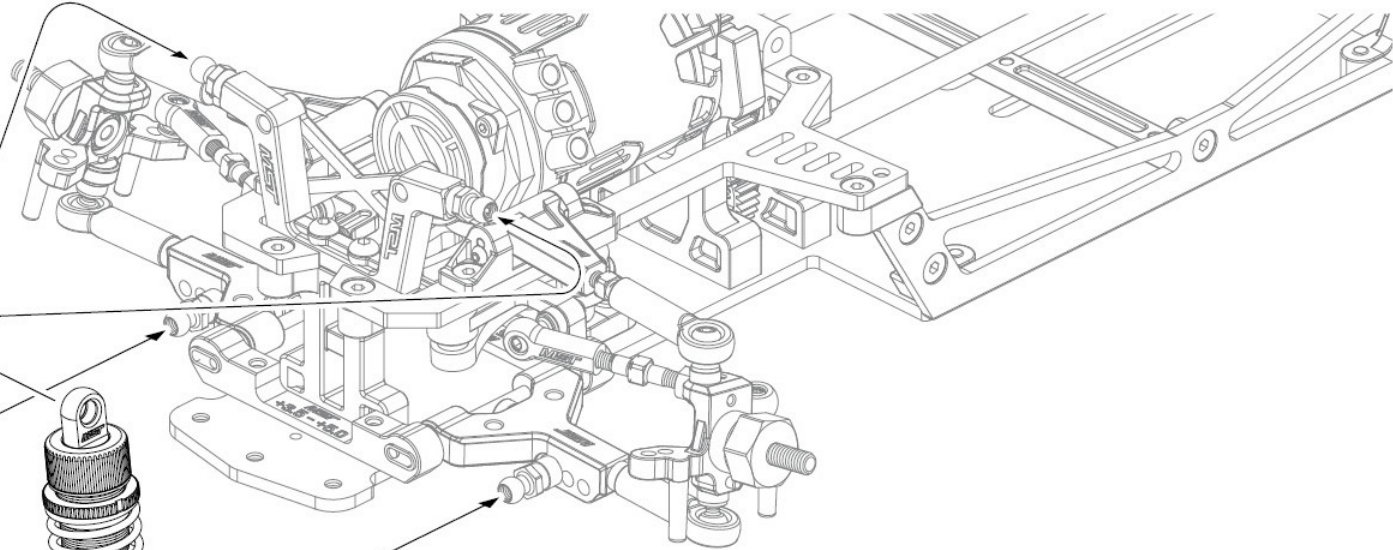
※ Pull down piston rod 4mm, attach cylinder cap and absorb oil overflow with tissue paper.
將軸心下拉4mm後，蓋上避震器上蓋並以面紙拭去溢出的砂油。

STEP 2 Attaching damper
安裝避震器

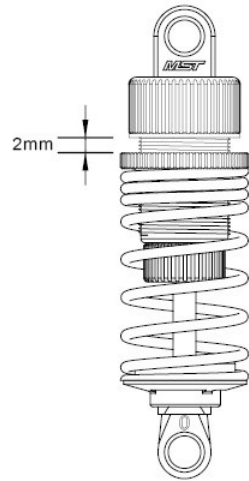
FRONT



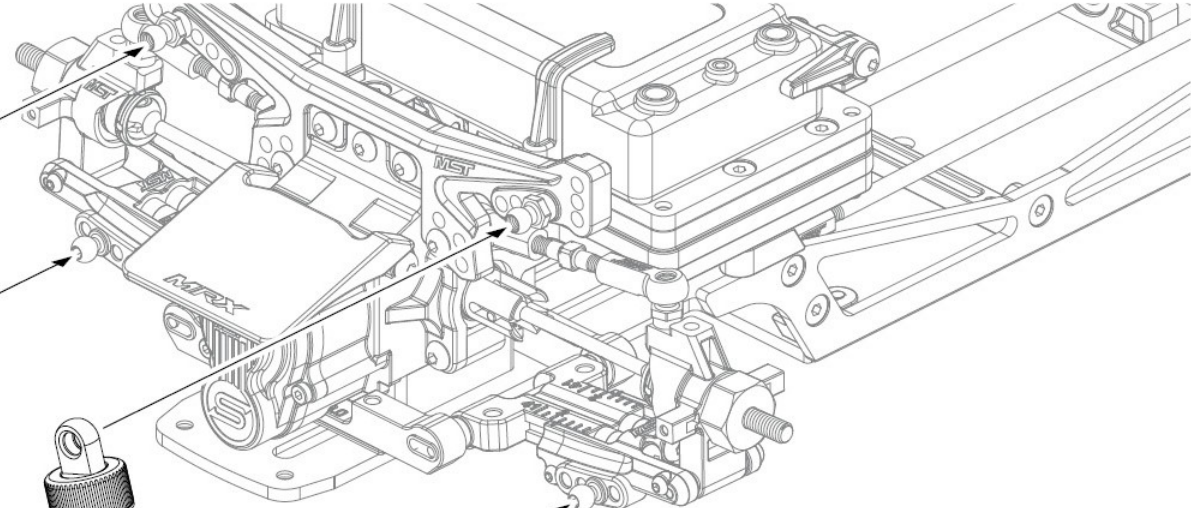
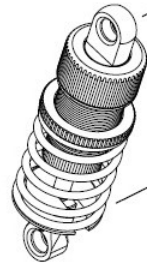
FRONT



REAR

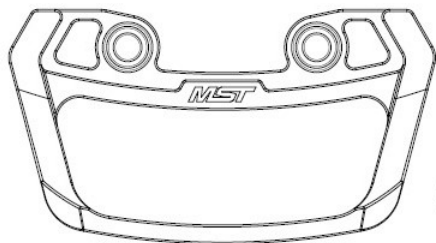


REAR

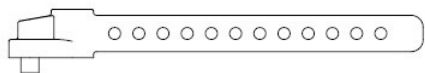




Bumper support ×1
防撞板上蓋



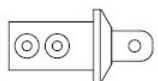
Rear bumper ×1
防撞板下座



Rear body mount ×2
後車殼支柱



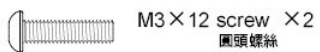
Front body mount ×2
前車殼支柱



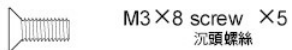
Body mount cover M ×2
支柱蓋 M



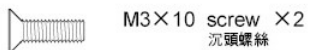
Body mount cover L ×2
支柱蓋 L



M3×12 screw ×2
圓頭螺絲



M3×8 screw ×5
沉頭螺絲



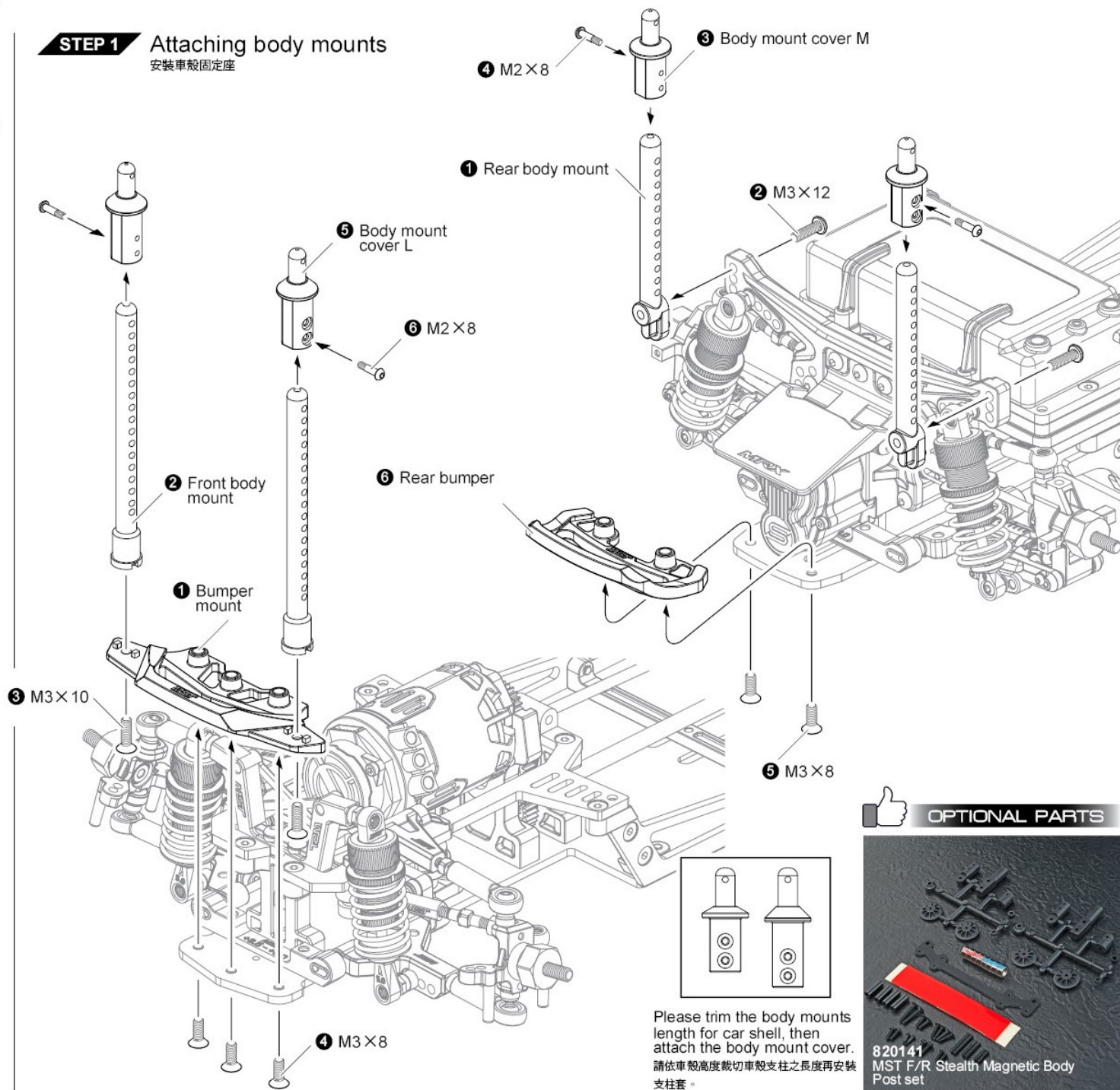
M3×10 screw ×2
沉頭螺絲



M2×8 screw ×4
圓頭螺絲

STEP 1 Attaching body mounts

安裝車殼固定座



OPTIONAL PARTS



820141
MST F/R Stealth Magnetic Body Post set

Please trim the body mounts length for car shell, then attach the body mount cover.
請依車殼高度裁切車殼支柱之長度再安裝支柱蓋。

PARTS ← **WHEELS**
輪胎



Flange nut M4 ×4
凸緣螺帽M4

Bag 8



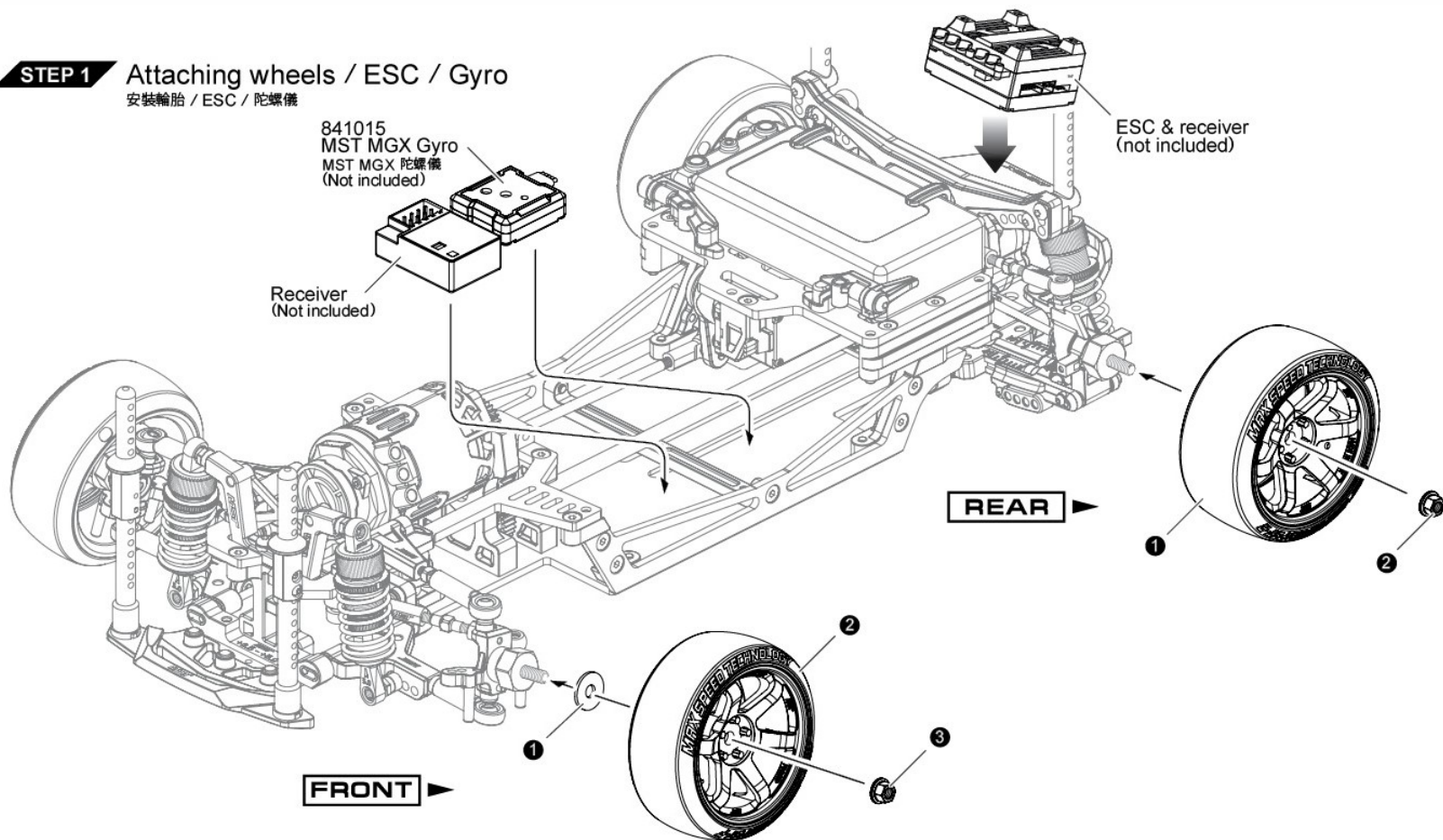
Wheel hub spacer 1.0 ×2
輪座墊片 1.0

Bag 8

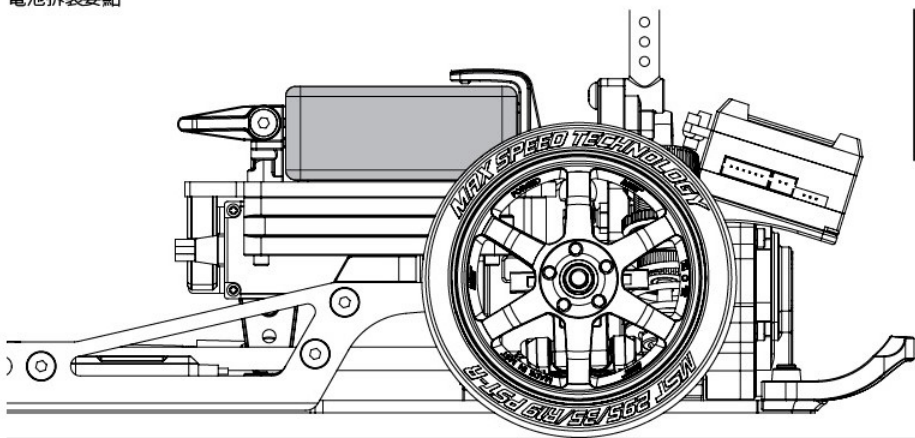


※ NOT including.
Please refer to MST website for the
wheel & tire types.
胎框組須另購，詳情請見官網。
[www.rc-mst.com]

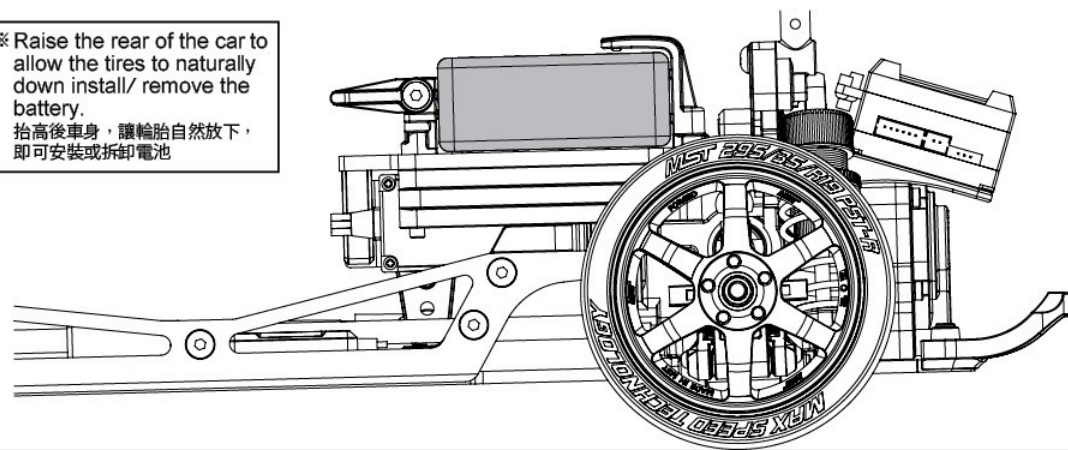
STEP 1 Attaching wheels / ESC / Gyro
安裝輪胎 / ESC / 陀螺儀



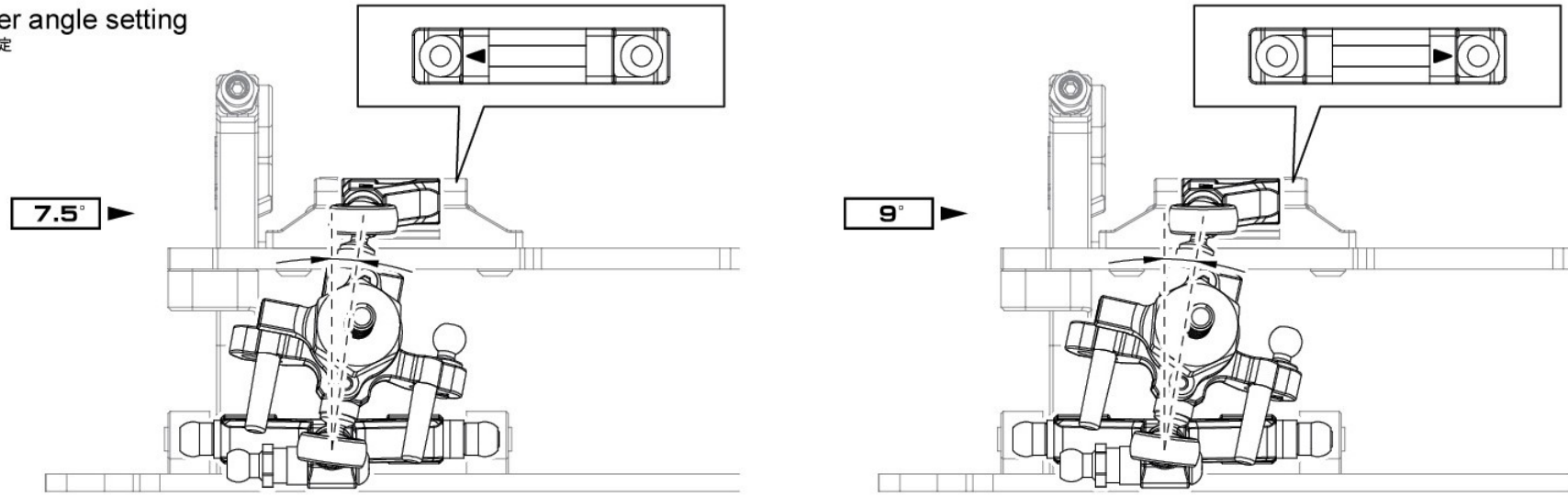
← **Battery Installation and Removal Tips**
電池拆裝要點



※ Raise the rear of the car to
allow the tires to naturally
down install/ remove the
battery.
抬高後車身，讓輪胎自然放下，
即可安裝或拆卸電池

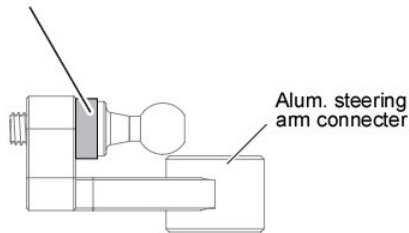


STEP 1 Caster angle setting
後傾角設定



STEP 2 Ackermann angle setting
阿克曼角設定

This spacer is used for adjusting the Ackermann angle.
此空間用於調整阿克曼角

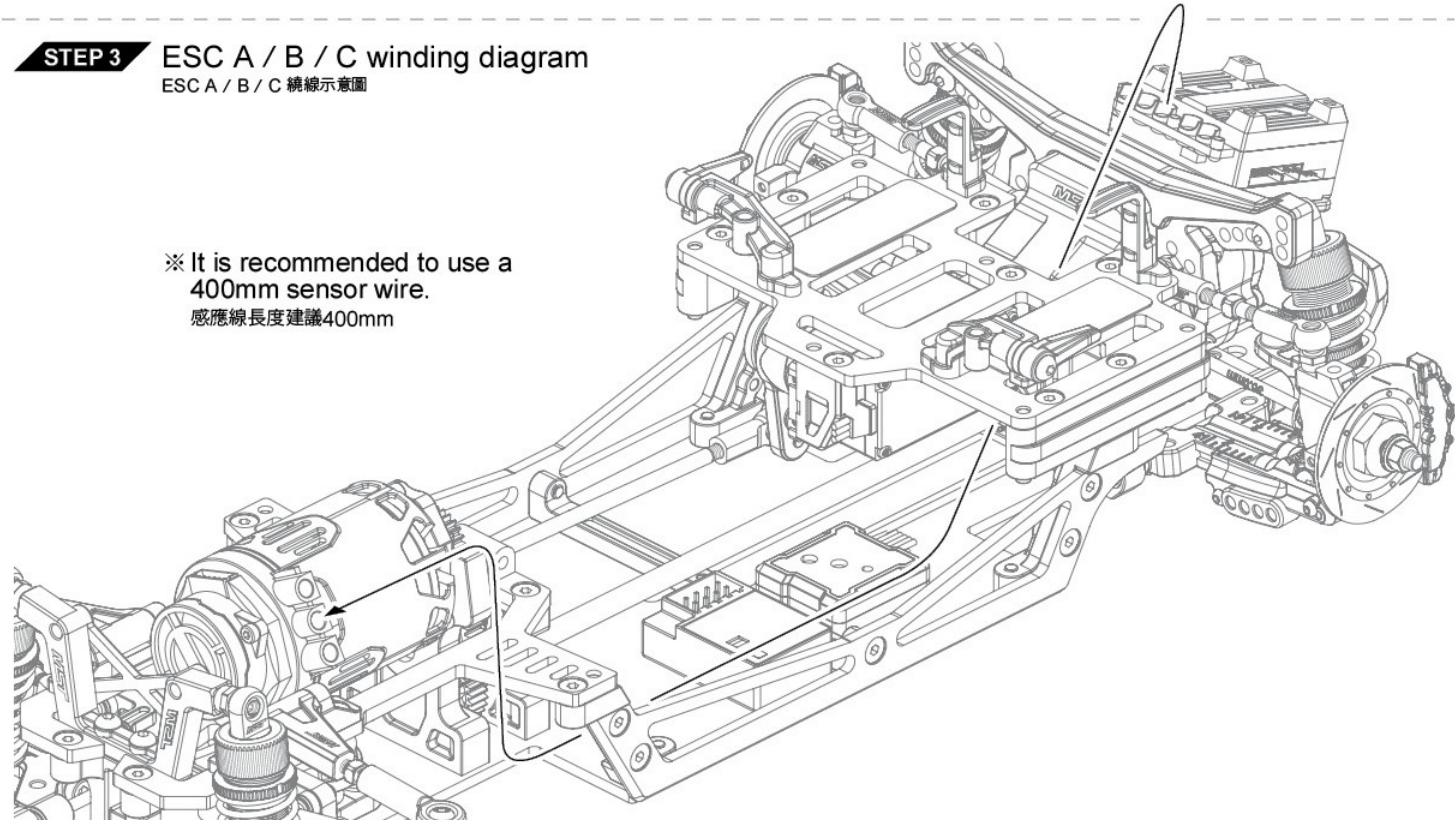


※ Increasing the spacer thickness results in a smaller Ackermann angle.
增加墊片厚度會導致更小的阿克曼角

※ Decreasing the spacer thickness results in a larger Ackermann angle.
減小墊片厚度會導致更大的阿克曼角

※ The factory setting uses a 2mm thick spacer.
原廠設置使用2mm厚的墊片

STEP 3 ESC A / B / C winding diagram
ESC A / B / C 繞線示意圖



※ It is recommended to use a 400mm sensor wire.
感應線長度建議400mm

Steering

2 mm

Alum. steering arm connector

Caster

7.5

9

FRONT	REAR
Tire: <u>Silver</u>	Tire: <u>Silver</u>
Wheel: <u>GT</u>	Wheel: <u>GT</u>
Offset: <u>+5</u>	Offset: <u>+5</u>

Front upright

2 mm

0 mm

2 mm

L R

Front suspension

Camber: 8.2°

Toe-out: 2.5

2 mm

1 mm

6 mm

2 mm

Ride height: 8 mm ↑ GROUND

Rear suspension

Camber: 2

Toe-in: 0.5

5 mm

GROUND ↑ Ride height: 5 mm

Rear upright

6 mm

0 mm

Front Suspension mount Rollcenter

+3.5

0 mm

+3.5

0 mm

Rear diff

Gear diff.

Ball diff.

Diff oil #3000

Rear Suspension mount Rollcenter

+2.5

0 mm

+3

1 mm

Front damper

1.5 mm

Shock oil: #10

Spring: 28 mm ϕ 1.2

Spring color: Red

Piston: ϕ 1.2 mm

Piston hole: 3

※ **FORMULA**
終傳比計算式

Spur Gear 48T ÷ Pinion Gear × Gear A ÷ Gear B × Tail Gear A ÷ Tail Gear B × Big Bevel Gear ÷ Small Bevel Gear = Transmission ratio

大齒輪 48T ÷ 馬達齒 × 齒輪 A ÷ 齒輪 B × 尾齒 A ÷ 尾齒 B × 大傘齒 ÷ 小傘齒 = 終傳

$48T \div (22T) \times 30T \div 28T \times (38T) \div (19T) \times (42T) \div (11T) = (14.38)$

Motor & ESC: _____ Battery: _____

Transceiver: _____ Gyro: _____

Rear damper

2 mm

Shock oil: #10

Spring: 28 mm ϕ 1.4







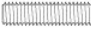





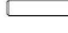






























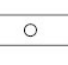



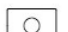





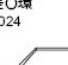


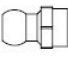













Spring color: Purple-Green

Piston: ϕ 1.2 mm

Piston hole: 3

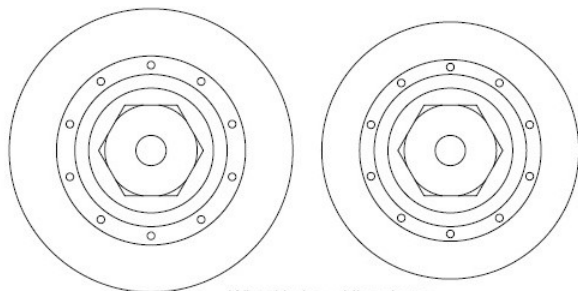
PARTS

Color 顏色	Remark 標示
Red 紅 / BACK 黑	R / BK

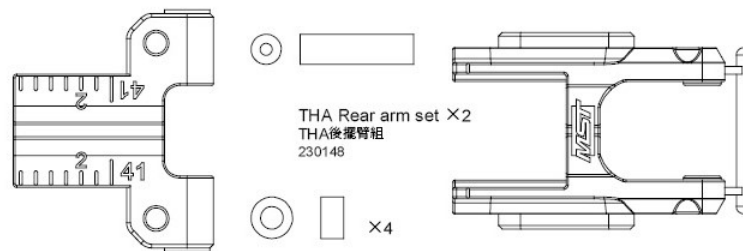
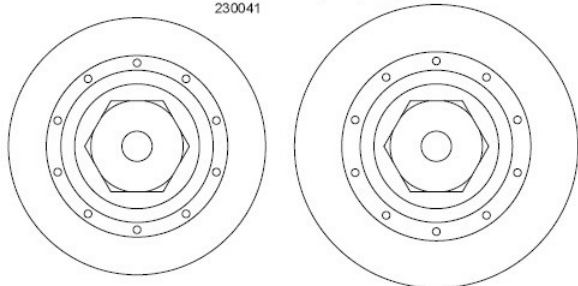
	M2X3 screw ×8 圓頭螺絲 110082		M3X2.6 screw ×2 止付螺絲 110060		1.5X7.8 Shaft ×5 插銷 110059		3X5.5X1 Alum. Spacer ×2 鋁合金墊片 820026BK		2.5X9X0.1 Spacer ×4 墊片 310040
	M2X4 screw ×4 圓頭螺絲 110004		M3X12 screw ×2 止付螺絲 110056		1.6X9 Shaft ×1 插銷 110071		3X5.5X2 Alum. Spacer ×4 鋁合金墊片 820027BK		3X6X0.5 Spacer ×12 墊片 110047
	M2X6 screw ×2 圓頭螺絲 110044		M3X16 screw ×2 止付螺絲 110023		2X9.8 Shaft ×4 插銷 110017		Wheel nut m4 ×4 輪框螺帽 820074		4X6X0.3 Spacer ×3 墊片 820017
	M2X8 screw ×4 圓頭螺絲 110063		M2X8 Taping screw ×8 自攻沉頭螺絲 110058		2X9.8 Shaft ×2 插銷 110046		Bearing 4X8X3 (4) ×2 軸承 4X8X3 (4) 120026		4X14X0.1 Spacer ×2 墊片 310039
	M2X8 screw ×4 圓頭螺絲(半牙) 110045		M2X6 Screw ×2 沉頭螺絲 110042		2X11.8 Shaft ×1 插銷 110019		E-Clip 3.0 ×6 E扣 3.0 110070		5X7X0.1 Spacer ×2 墊片 820018
	M2X10 screw ×2 圓頭螺絲 110084		M3X6 screw ×7 沉頭螺絲 110024		2X22 Shaft ×4 插銷 310047		Diff. gear set ×4 傘差齒輪組 310126		5X7X0.3 Spacer ×4 墊片 820020
	M3X5 screw ×2 圓頭螺絲 110049		M3X8 screw ×56 沉頭螺絲 110005		2.5X19.8 Shaft ×2 插銷 310126		Diff. gear set ×2 傘差齒輪組 310126		10X12X0.3 Spacer ×2 墊片 820024
	M3X8 screw ×9 圓頭螺絲 110002		M3X10 screw ×2 沉頭螺絲 110052		2.5X46 Arm shaft ×4 擺臂插銷 310048		R-clip 5.0 ×6 R-銷 5.0 820075		3X7X3 Ball bearing ×4 培林 120006
	M3X10 screw ×13 圓頭螺絲 110026		M3X16 Screw ×1 沉頭螺絲 110073		Steel CVD universal shaft 38.5 (40°) ×2 鋼製CVD傳動軸 38.5 (40°) 210267		Main shaft ×1 主齒軸 310124		4X8X3 Ball bearing ×3 培林 120013
	M3X12 screw ×2 圓頭螺絲 110029		M3X18 Screw ×2 沉頭螺絲 110078		Cross joint ×2 連接軸 820030		Bevel gear diff O-ring ×1 傘差O環 130024		5X8 Ball bearing ×8 培林 120003
	M3X14 screw ×2 圓頭螺絲 110061		4.8 Ball connector ×5 外六角球頭 210161		M3X20 Steel reinforced turnbuckle ×2 鋼製可調拉桿 810028		Bevel gear shaft ×1 傘齒軸 310125		4X10 Ball bearing ×2 培林 120018
	M3X16 screw ×2 圓頭螺絲 110086		4.8 Ball connector L ×6 外六角球頭(長) 210344		M3X28 Alum. turnbuckle (black) ×4 鋁製可調拉桿(黑) 810009BK		Reinforced bevel diff. assembly ×1 強化傘齒總成組 210685		5X10 Ball bearing ×7 培林 120002
	M3X20 screw ×4 圓頭螺絲 110088		4.8X4.5 Ball connector ×5 球頭螺絲 310001		2WD Axle ×2 二驅輪軸 820095		Wheel axle ×2 萬向接杆 310065		8X14 Ball bearing ×1 培林 120007
	M2X8 Screw ×4 有頭螺絲 110027		5.8X6 Ball connector ×4 球頭螺絲 210625		4.8X8 Ball connector L ×2 球頭螺絲(長) 310127		10X15 Ball bearing ×2 培林 120001		
	M3X40 Screw ×2 有頭螺絲(半牙) 110091								

PARTS

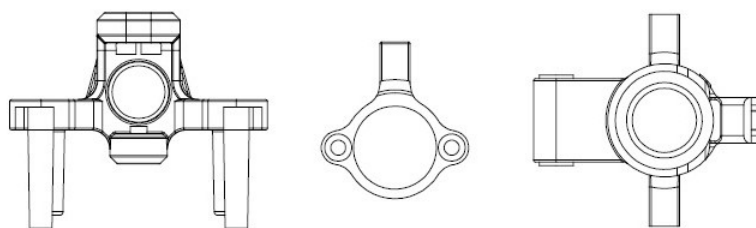
Color 顏色	Remark 標示
Red 紅 / BACK 黑	R / BK



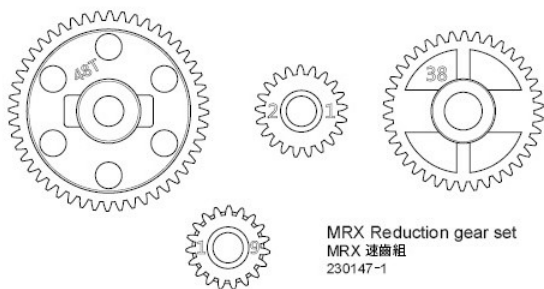
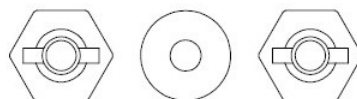
Wheel hubs w/disc shape (large) with sticker
碟型六角輪座組 (加大型) 附貼紙
230041



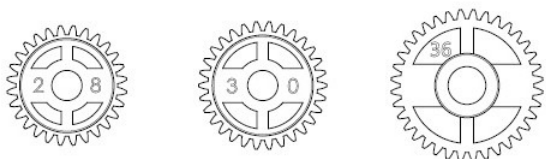
THA Rear arm set ×2
THA後擺臂組
230148



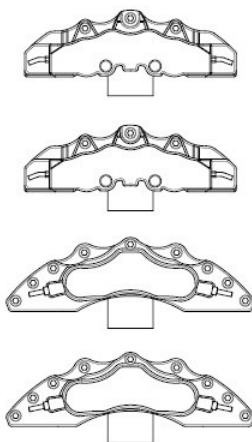
ATK V2 Front wheel hubs & THA rear hubs ×2
ATK V2 前輪座組 & THA 後輪座
230153



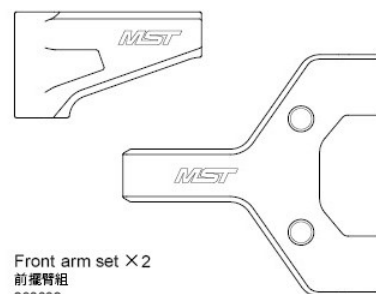
MRX Reduction gear set
MRX 速齒組
230147-1



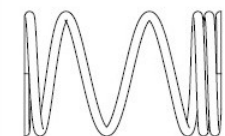
Impact-resistant drive gear set
耐衝擊驅動齒組
230163



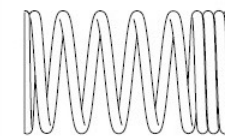
Enlarged brake calipers (red)
加大制車卡鉗 (紅)
210510CR



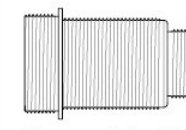
Front arm set ×2
前擺臂組
230062



DK-RWD Drift spring (26mm) ×2 (red)
DK-RWD 飄移車前避震彈簧 (26mm) (紅)
820157



DK-RWD Drift spring (28mm) ×2 (purple-green)
DK-RWD 飄移車後避震彈簧 (28mm) (紫綠)
820157



Damper cylinder ×4
避震筒身
210151



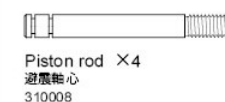
Spring retainer ×4
避震調整環
310106R



Damper cap ×4
避震器上蓋
310003R



Rod guide cap ×4
避震器下蓋
310005R



Piston rod ×4
避震軸心
310008



E-clip 2.0 ×8
E扣 2.0
110013



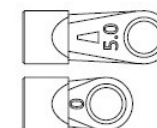
6.5×2 sponge ×4
泡棉
130021



High-smooth damper O-ring P3 (white) ×4
高順暢阻尼器O環 P3 (白)
130059



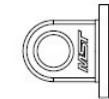
Rod guide ×4
避震器下蓋墊片
210235



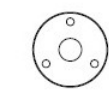
Damper adjuster ×4
避震器拉桿
820055



Oil seal ×4
避震器氣室
130004



Cylinder cap ×4
避震器上蓋
820055



Machined piston 3×1.2 ×4
切削避震活塞 3×1.2
210235



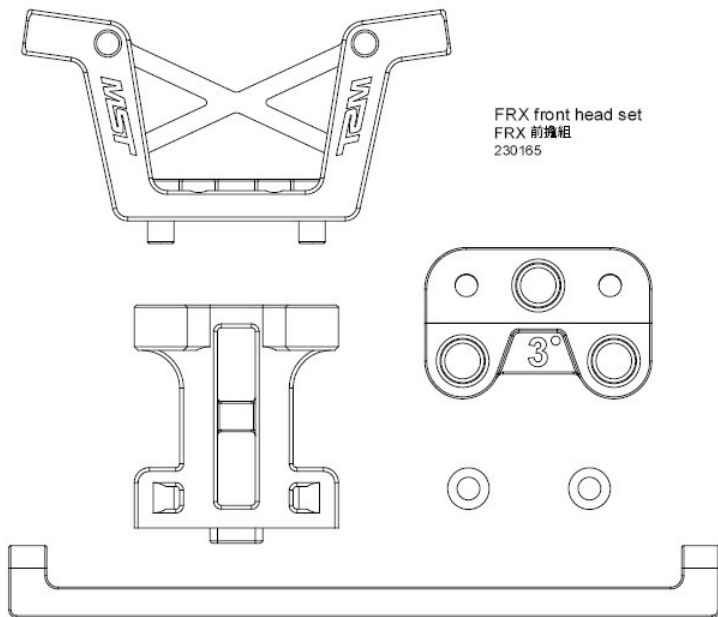
Damper retainer ×4
避震器彈簧座
820055



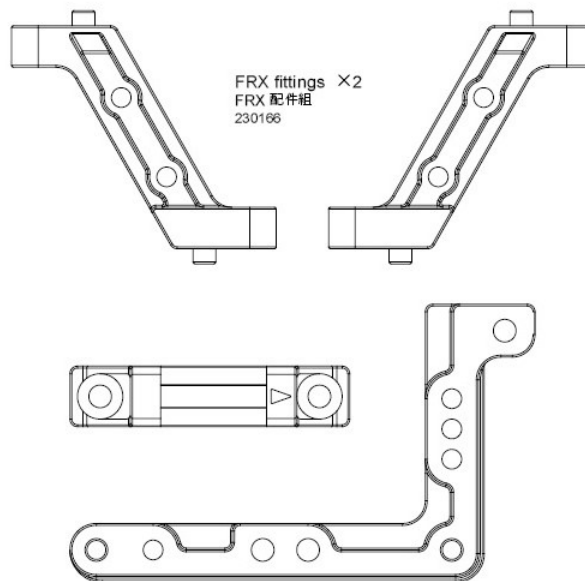
12×1 O-ring ×4
O環
130049

PARTS

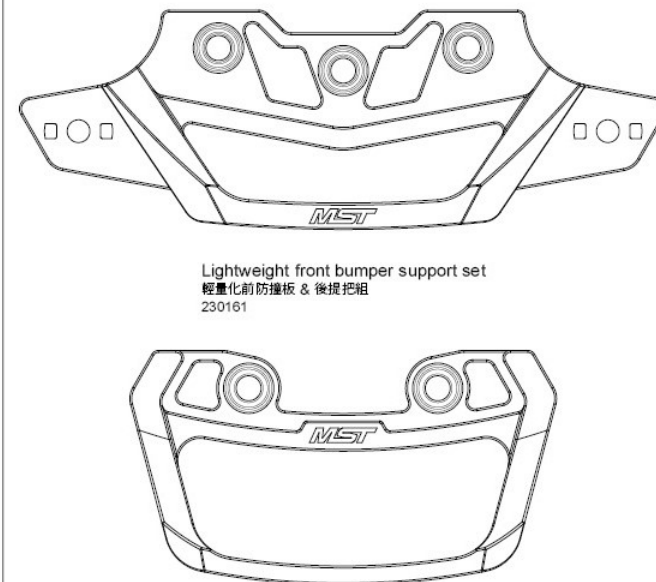
Color 顏色	Remark 標示
Red 紅 / BACK 黑	R / BK



FRX front head set
FRX 前擋組
230165



FRX fittings ×2
FRX 配件組
230166



Lightweight front bumper support set
輕量化前防撞板 & 後提把組
230181



Alum. tumbuckle 3X145 (black)
鋁合金可調拉桿 3X145 (黑)
810040BK



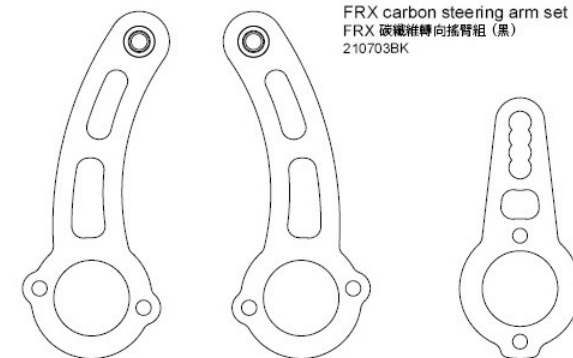
Adjustable alum. suspension mount (+3.5~+5.0) (black) ×2
可調式鋁合金擺臂座 (+3.5~+5.0) (黑)
820143BK



Alum. steering joint plate
(Ackermann adj.) (black)
鋁合金搖臂連結架 (可調阿克曼角) (黑)
210701BK



FXX Alum. steering post ×2
FXX 鋁合金轉向支柱
210345



FRX carbon steering arm set (black)
FRX 碳纖維轉向搖臂組 (黑)
210703BK



Alum. adj. suspension mount (+11.5~+13) (black) ×2
鋁合金可調式擺臂座 (+11.5~+13) (黑)
820154BK



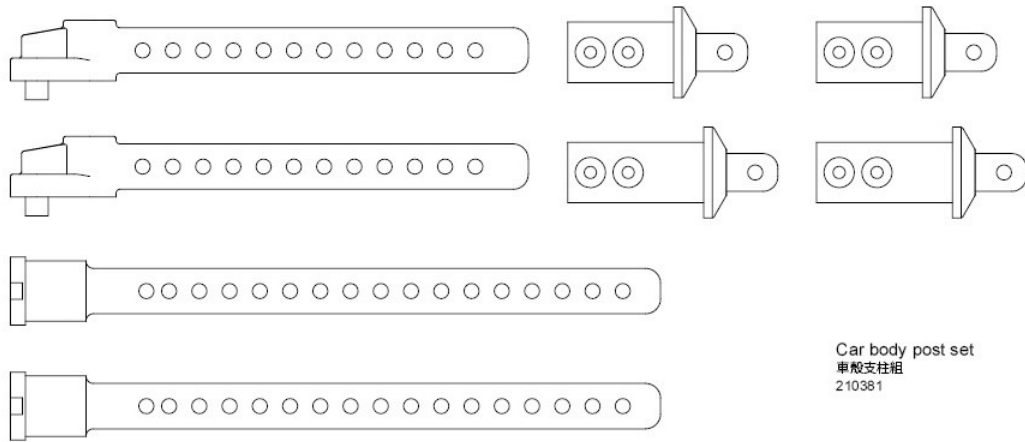
FRX carbon steering arm set (black)
FRX 碳纖維轉向搖臂組 (黑)
210703BK



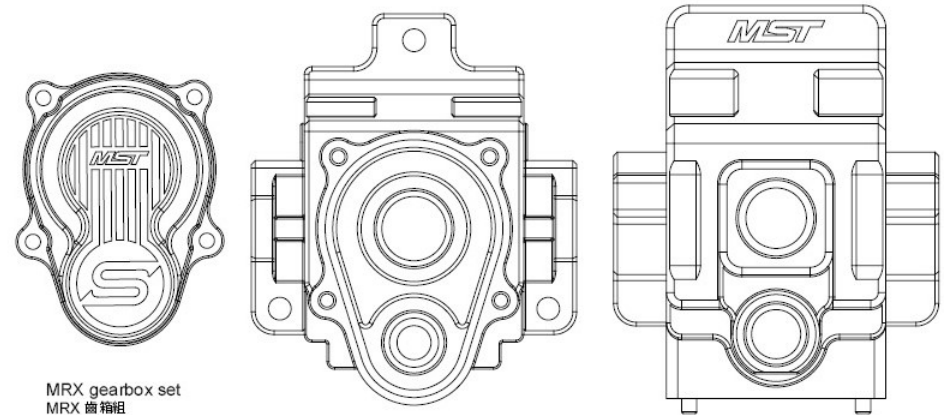
4.8 Rod ends set (M/S) ×2
4.8 拉桿頭組 (M/S)
230067

PARTS

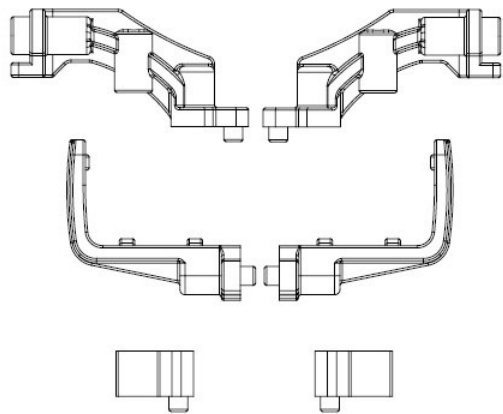
Color 顏色	Remark 標示
Red 紅 / BACK 黑	R / BK



Car body post set
車殼支柱組
210381



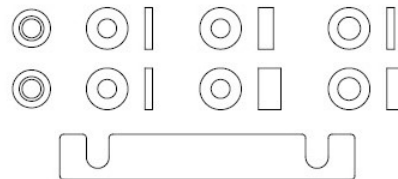
MRX gearbox set
MRX 齒箱組
230154



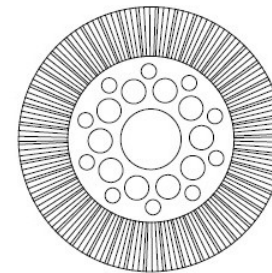
Suspension ball & spacer set ×4
插銷球頭 & 墊片組
230159



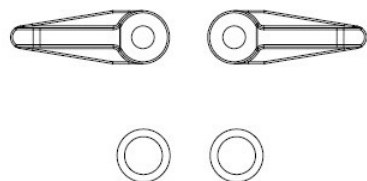
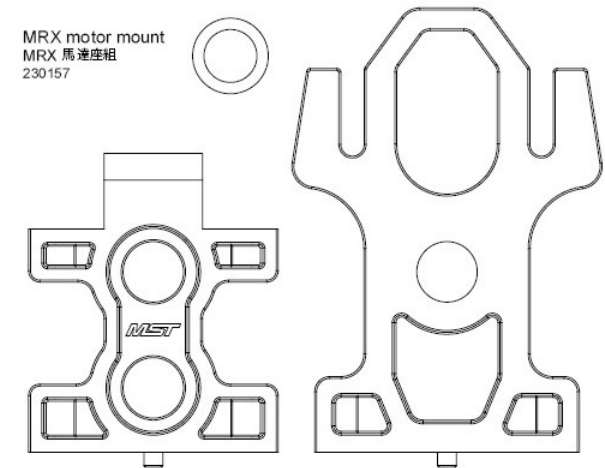
PVC Deck protective film ×2
PVC 底盤防刮貼
820152



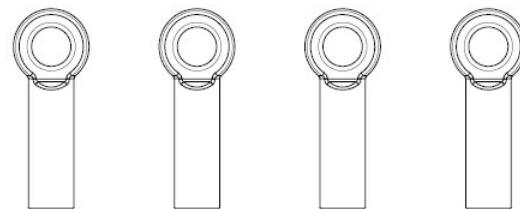
Impact-resistant bevel
gear set 42-11
耐衝擊傘齒組 42-11
230168



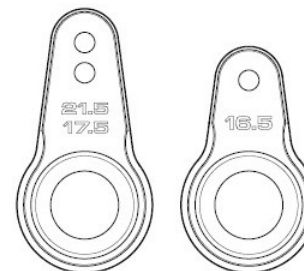
MRX motor mount
MRX 馬達座組
230157



Quick-release battery mount
快拆式電池座組
230145

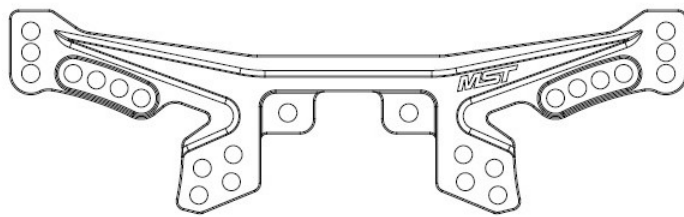
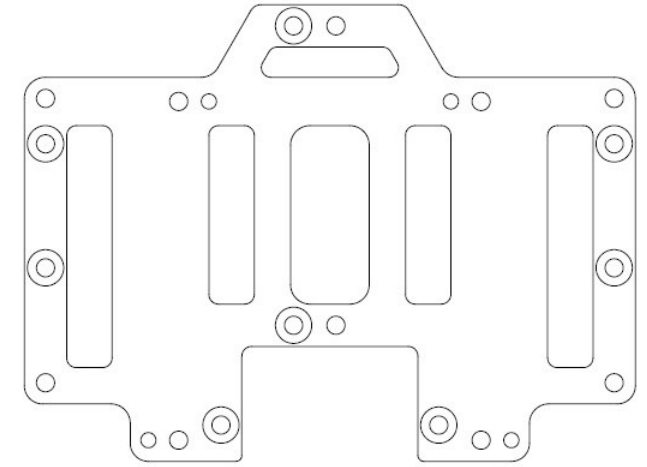
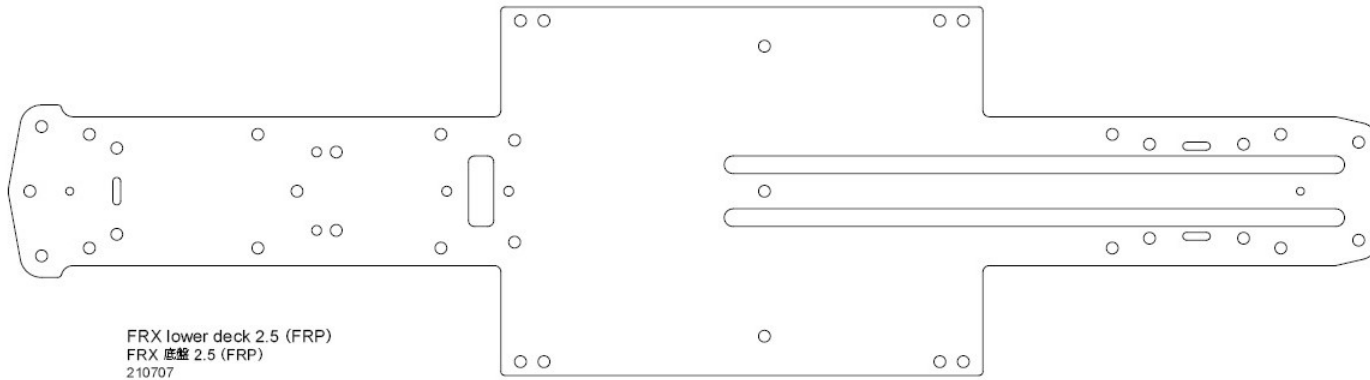


5.8×26 Reinforced adjuster set
強化拉桿頭組
210031

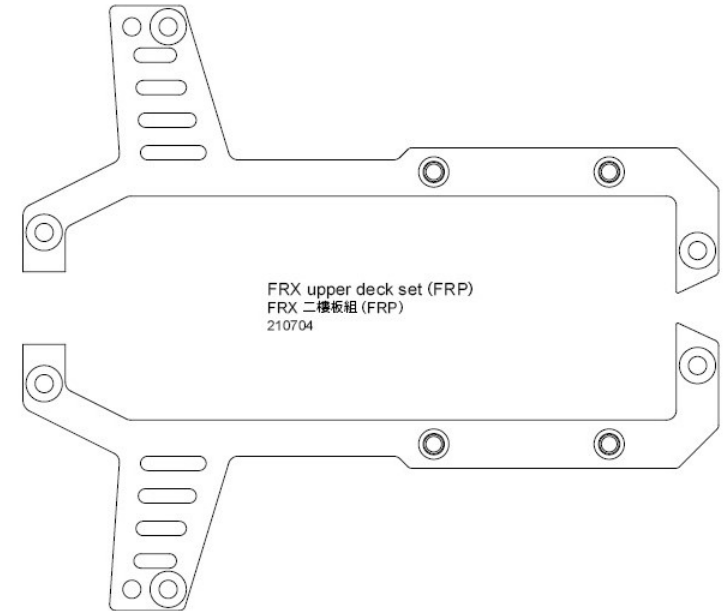
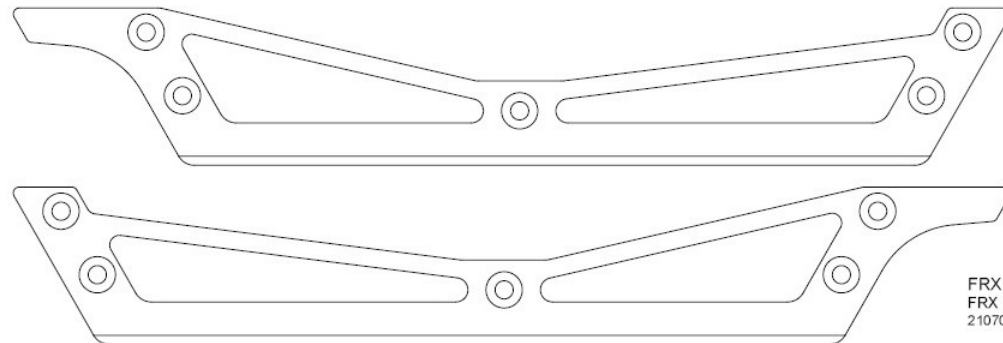


NS High-torque
servo saver
NS 高扭力伺服緩衝器
820126





MRX rear damper stay & brace
MRX 後避震架 & 後背座
230158



PARTS CODE

Table with 4 columns: Part Number, Part Name, Part Number, Part Name. Lists various mechanical components like screws, bearings, gears, and shafts.

部品編號

Table with 4 columns: Part Number, Part Name, Part Number, Part Name. Lists various mechanical components in Chinese, including bearings, gears, shafts, and suspension parts.