

DRIVER, TRACK AND RESULTS

DRIVER _____ **COUNTRY** _____ **WEATHER** AIR TEMP _____ TRACK TEMP _____ DRY INTERMEDIATE WET
RACE _____ **DATE** _____ **QUALY POS.** _____ **STARTING POS.** _____ **FINAL POS.** _____ **FASTEST LAP** _____
TRACK _____ **TYPE** TIGHT MEDIUM OPEN **GRIP** LOW MEDIUM HIGH
SURFACE CONDITION SMOOTH ROUGH
TYPE HARD PACKED CLAY MULTI/SURFACE GRASS BLUE GROOVE DIRT ASTRO-TURF

FRONT	SHOCK ABSORBERS	REAR
cst	OIL	cst
SPRINGS		
mm	REBOUND	mm
N° HOLES	Ø mm	PISTONS N° HOLES Ø mm
<input type="checkbox"/> STRAIGHT <input type="checkbox"/> ANGLED	HOLES TYPE	<input type="checkbox"/> STRAIGHT <input type="checkbox"/> ANGLED
<input type="checkbox"/> BLADDER	SEAL TYPE	<input type="checkbox"/> BLADDER
<input type="checkbox"/> EMULSION		<input type="checkbox"/> EMULSION

ANTI-ROLL BARS

FRONT ANTI-ROLL BAR _____ mm	REAR ANTI-ROLL BAR _____ mm
------------------------------	-----------------------------

DIFFERENTIALS

FRONT DIFF <input type="checkbox"/> HTD <input type="checkbox"/> STD	CENTER DIFF <input type="checkbox"/> HTD <input type="checkbox"/> STD	REAR DIFF <input type="checkbox"/> HTD <input type="checkbox"/> STD
_____ cst	_____ cst	_____ cst

GEARING

PINION _____ Teeth	SPUR GEAR _____ Teeth
--------------------	-----------------------

ELECTRONICS

BATTERY

BRAND _____ CAPACITY _____ mAh

MOTOR

BRAND _____ TYPE _____ TIMING _____

ESC

BRAND _____ TYPE _____

ELECTRONICS LAYOUTS

- 2S STICK BATTERIES
- 2S SHORTY REARWARD BATTERIES
- 2S SHORTY FORWARD BATTERIES

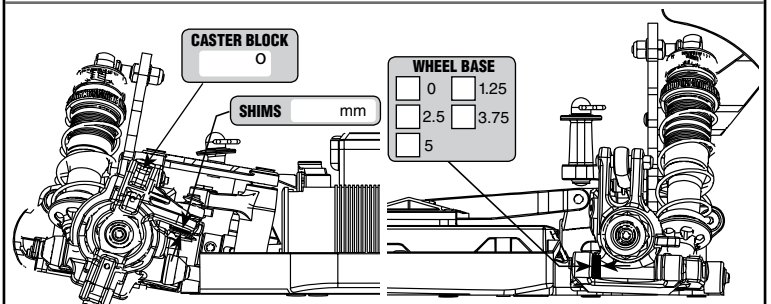
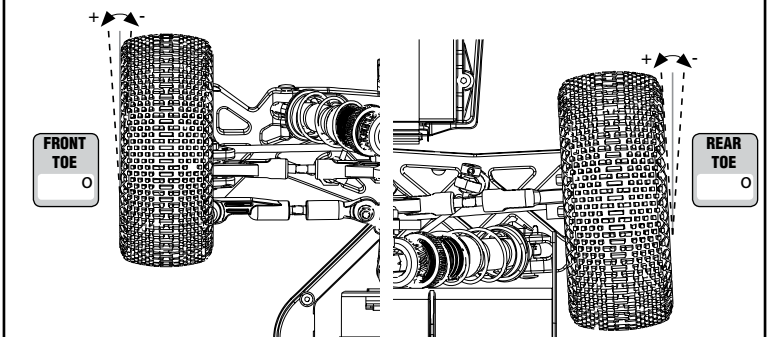
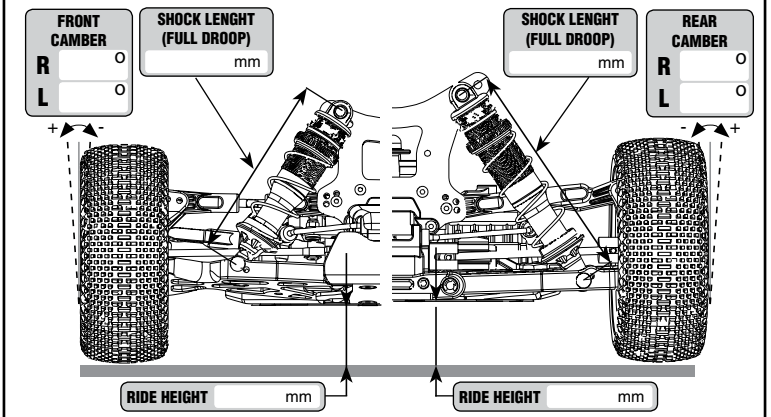
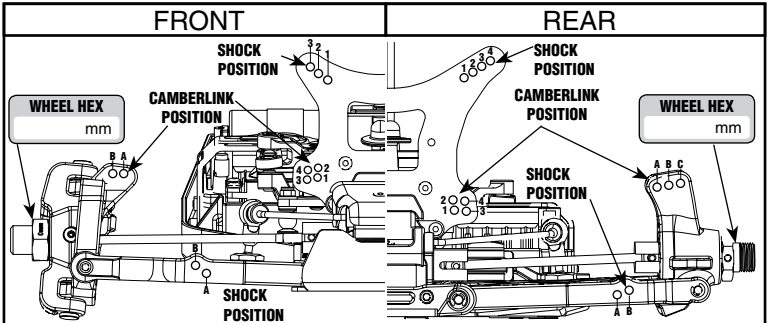
AERODYNAMIC CONFIGURATION

BODY STANDARD HIGH DOWNFORCE OTHER

WING

TYPE _____ WING PLATES 2° 4° 6°
 GURNEY STRIP YES NO CENTER FOIL YES NO

FRONT TIRES	Controlled Tire	REAR
MAKE	<input type="checkbox"/>	
TYPE		
INSERTS		
WHEELS		



REMARKS
