

VANQUISH[®]
PRODUCTS



V5410 FORDYCE

1:10 SCALE HIGH PERFORMANCE READY TO RUN 4 WHEEL DRIVE OFFROAD VEHICLE

KMC[™]
WHEELS

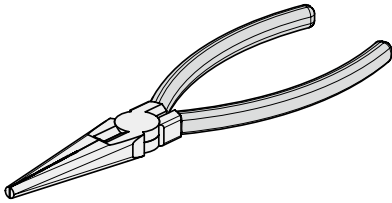
RIGID[®]

MAGNAFLOW

FALKEN

INSTRUCTION MANUAL

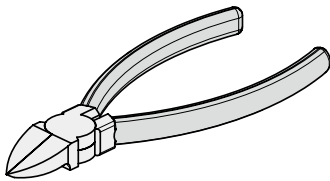
■ **NECESSARY FOR MAINTENANCE**



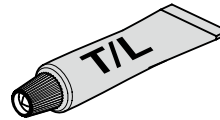
**NEEDLE NOSE PLIERS
(NOT INCLUDED)**



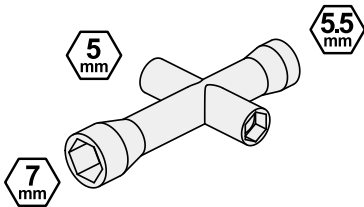
**GREASE
(NOT INCLUDED)**



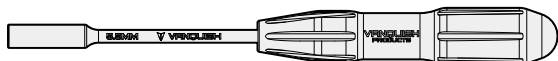
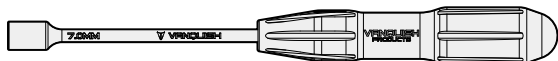
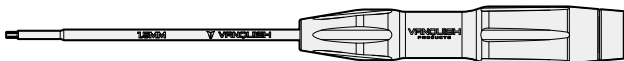
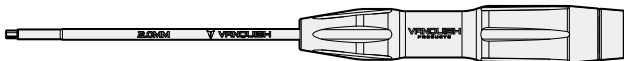
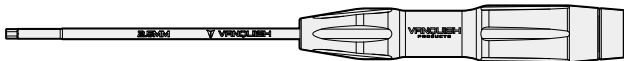
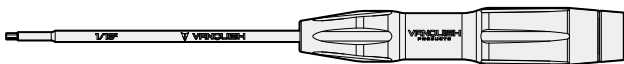
**SIDE CUTTERS
(NOT INCLUDED)**



**THREAD LOCK
(NOT INCLUDED)**



**CROSS WRENCH
(INCLUDED)**



SUGGESTED TOOLS (NOT INCLUDED):

VPS08410 STANDARD TOOL SET

VPS08400 METRIC TOOL SET

VPS08440 METRIC NUT DRIVER TOOL SET

First Step:

Carefully read the entire instruction manual and any accompanying materials. Follow all directions in this manual to prevent serious damage to your model. This manual contains instructions for safety, operation and maintenance. It is essential to read and follow all the instructions and warnings in the manual, prior to setup or use, in order to operate correctly and avoid damage or serious injury. Failure to operate this product in a safe and responsible manner could result in injury or damage to the product or other property. This product is not intended for use by children without direct adult supervision. Do not use incompatible components or alter this product in any way outside of the instructions provided by Vanquish Products.

FCC Compliance

This device contains a module that complies with the limits for a Class B digital device as described in part 15 of the FCC rules. Operation is subject to the following two conditions: (1) This device may not cause harmful interference, and (2) this device must accept any interference received, including interference that may cause undesired operation.

The limits for a Class B digital device are designed to provide reasonable protection against harmful interference in residential settings. This product generates, uses and can radiate radio frequency energy, and, if not operated in accordance with the instructions, may cause harmful interference to radio communications. The user is cautioned that changes or modifications not expressly approved by the party responsible for compliance could void the user's authority to operate the equipment.

Canada, Industry Canada (IC)

This Class B digital apparatus complies with Canadian ICES-003 and RSS-210. This device complies with Industry Canada license exempt RSS standard(s). Operation is subject to the following two conditions: This device may not cause interference, and This device must accept any interference, including interference that may cause undesired operation of the device.

Radio Frequency (RF) Exposure Statement

This equipment complies with radio frequency exposure limits set forth by FCC and Industry Canada for an uncontrolled environment. This equipment should be installed and operated with a minimum distance of 20 centimeters between the radiator and your body or bystanders and must not be co-located or operating in conjunction with any other antenna or transmitter.

Operation Frequency: 2405.0 - 2478.0 Mhz

Output Power: 0.0043 Watts

Notice:

All instructions, warranties and other collateral documents are subject to change at the sole discretion of Vanquish Products. For up-to-date product literature, visit vanquishproducts.com.

Age Recommendation: Not for children under 14 years. This is not a toy.

The buyer assumes all risks associated with the use of this product. ASB Products Inc. d/b/a Vanquish Products and their retail partners, dealers, distributors, manufacturers and affiliates cannot control the use and operation of this product and as such shall not be held responsible or liable for any injury, accident or damage resulting from the use of this product.

Always fully read all instructions, manuals and warnings that come with your RC vehicle and any accessories required to operate the product.

Items Needed to Complete

- Vehicle battery (6 cell NiMH or 2-3s LiPo)
 - Battery Charger (compatible with battery type chosen to be used)
-

Important Safety Precautions and Warnings

Attention: The ESC is set to LiPo from the factory.

Note: When using a LiPo battery, the ESC jumper clip **MUST** be set to LiPo or damage to the battery may occur.

Note: If using a NiMH battery, the ESC jumper clip must be set to NiMH.

Fire Hazard

Your model is able to use LiPo batteries. Charging and discharging batteries has the potential for fire, explosion, serious injury, and property damage if not performed per the instructions. Before use, read and follow all manufacturer's instructions, warnings, and precautions. In addition, Lithium Polymer (LiPo) batteries pose a SEVERE risk of fire if not properly handled per the instructions and require special care and handling procedures for long life and safe operation. LiPo batteries are intended only for advanced users that are educated on the risks associated with LiPo battery use. Vanquish Products does not recommend that anyone under the age of 14 use or handle LiPo battery packs without the supervision of a knowledgeable and responsible adult. Dispose of used batteries according to the instructions.

- Never leave the battery connected when not in use and store batteries in accordance with manufacturer's instructions.
- Never leave a battery unattended while being charged. Never charge batteries while they are inside of the RC vehicle.
- There is a risk of fire and explosion when dealing with batteries. Rechargeable batteries may become hot and catch fire if left unattended or charged too quickly.
- Always use extra caution when charging LiPo batteries. Always, only use a LiPo specific charger when charging LiPo batteries.
- Always use a LiPo safe charging pouch when charging LiPo batteries.
- Always charge batteries away from flammable materials and in a well ventilated space.
- Overcharging can lead to fire and explosion.
- Always store battery packs in a cool dry place.
- Never use a LiPo battery that has previously overheated and/or shows signs of damage or swelling. If you suspect the battery to be damaged, immediately discontinue use and properly dispose of the battery.
- Never dispose of a LiPo battery with regular trash. To safely dispose of LiPo batteries, refer to your local disposal authority or recycling center.
- Always check the ESC settings to ensure that they match the battery type during operation. If using a LiPo battery, the ESC must be set to LiPo or damage may occur.
- Never mix old and new batteries. Do not change or charge batteries in a hazardous location. Do not mix alkaline, lithium, standard (carbon zinc), or rechargeable (NiMH, cadmium) batteries.
- If you do not agree with or are unable to follow these warnings and are not willing to accept full and complete liability for the use of this RC product; immediately return the product to your place of purchase in new and unused condition.

Before Use

As the user of this product, you are solely responsible for operating in a manner that does not endanger yourself and others or result in damage to the product or property of others. This model is controlled by a radio signal subject to interference from many sources outside your control. This interference can cause momentary loss of control, so it is advisable to always keep a safe distance in all directions around your model as this margin will help avoid collisions or injury.

- Never operate your model with low transmitter batteries.
- Always operate your model in open spaces away from full-size vehicles, traffic and people.
- Never operate the model in the street or in populated areas for any reason.
- Carefully follow the directions and warnings for this and any optional support equipment (chargers, rechargeable battery packs, etc.) you use.
- Keep all chemicals, small parts and anything electrical out of the reach of children.
- Never lick or place any portion of the model in your mouth as it could cause serious injury or even death.
- Exercise caution when using tools and sharp instruments.
- Take care during maintenance as some parts may have sharp edges.
- Immediately after using your model, do NOT touch equipment such as the motor, electronic speed control and battery, because they generate high temperatures. You may burn yourself seriously touching them.
- Do not put fingers or any objects inside rotating and moving parts, as this may cause damage or serious injury.
- Always turn on your transmitter before you turn on the receiver in the car. Always turn off the receiver before turning your transmitter off.
- Keep the wheels of the model off the ground when checking the operation of the radio equipment.

Water-Resistance Warning

Your new Vanquish Products vehicle has been designed to be water-resistant and allow you to operate the product in many wet conditions, these conditions may include puddles, creeks, and wet grass. While the entire vehicle is water-resistant, it is not completely waterproof and your vehicle should NOT be submerged in water. The components used in the vehicle, such as the Electronic Speed Control (ESC), servo and receiver are water-resistant, furthermore, most of the mechanical components are also water-resistant and should not be submerged. Metal parts, including the bearings, hardware, electrical contacts, will be susceptible to corrosion if appropriate maintenance is not performed after running in wet conditions. To maintain any applicable warranty and prolong the life of your vehicle, the procedures described in the "Additional Maintenance" section below must be performed regularly after subjecting your vehicle to moisture. If you are not willing to perform the additional maintenance required, then you should not operate the vehicle in those conditions.

CAUTION: Failure to exercise caution while using this product and complying with the following precautions could result in product malfunction and/or void the warranty.

PRECAUTIONS

- Read through the Additional Maintenance procedures and make sure that you have all tools required to properly maintain your vehicle.
- Not all batteries can be used in wet conditions. Refer to the battery manufacturer's guidance before use. Caution should be taken when using Li-Po batteries in wet conditions.
- The transmitter included with the vehicle is not water-resistant.
- Never operate your transmitter or vehicle where lightning may be present.
- Do not operate your vehicle where it could come in contact with salt water (ocean water or water on salt-covered roads), contaminated or polluted water. Salt water is very conductive and highly corrosive, so use caution.
- Driving in wet conditions can reduce the life of the motor. The additional resistance of operating in water causes excess strain.

Additional Maintenance

After your vehicle has been run in any wet conditions, the following additional maintenance steps should be taken to ensure the vehicle is in proper working condition.

- Drain any water that has collected in the tires. With the body removed, place the vehicle upside down and pull full throttle for a few short bursts until the water has been removed. **CAUTION:** Always keep hands, fingers, tools and any loose or hanging objects away from rotating parts when performing the above drying technique.
- Remove the battery pack(s) and dry the contacts. If you have an air compressor or a can of compressed air, blow out any water that may be inside the recessed connector housing.
- Remove the tires/wheels from the vehicle and gently rinse the mud and dirt off with a garden hose. Avoid rinsing the bearings and transmission.

NOTICE: Never use a pressure washer to clean your vehicle.

- Use an air compressor or a can of compressed air to dry the vehicle and help remove any water that may have gotten into small crevices or corners.
- Spray the bearings, drive train, fasteners and other metal parts with a water-displacing light oil. Do not spray the motor.
- Let the vehicle air dry before you store it. Water (and oil) may continue to drip for a few hours.
- Increase the frequency of disassembly, inspection and lubrication of the following:
 - Front and rear axle hub assembly bearings.
 - All transmission cases, gears and differentials.
 - Motor—clean with an aerosol motor cleaner and re-oil the bushings with lightweight motor oil.

PARTS LIST

IRC00010	IRC Rod End Pack (12)	VPS10103	Falken Wild Peak MT 1.9 4.65 RED Comp
IRC00012	IRC Bent Rod End Pack (4)	VPS10110	Vanquish Velcro Strap (2)
IRC00140	4mm Wheel Lock Nuts	VPS10112	VS4-10 Frame Rail Set
IRC00181	Incision VS4-10 D44 Universals	VPS10113	Body Post Set
IRC00230	ISD10 Driveshaft Set	VPS10114	VS4-10 Shock Tower Set
IRC00231	ISD Replacement Molded Driveshaft Parts Tre	VPS10115	VS4-10 Skid Plate/Crossmembers
IRC00261	13t 32p Steel Pinion	VPS10123	VS4-10 Slider Mount w/universal sliders
IRC00271	Incision Shoulder Screw (4)	VPS10125	VFD Skid Plate Set
IRC00272	Incision M4 Screw Shaft	VPS10126	VS4-10 Chassis Braces/Servo Mount
IRC00273	Incision Small Body Clip (10)	VPS10129	VS4-10 Molded Battery & Electronics Tray
IRC00275	Incision Washer Head Screw (4)	VPS10130	VS4-10 Chassis Kit
IRC00402	56t Spur Gear	VPS10131	VFD Molded Motor Plate & Components
IRC00411	56t Slipper Spur Gear	VPS10138	Phoenix Body Core Support
IRC00412	VFD Slipper Pads	VPS10139	Phoenix Bed Sides - Clear
IRC00501	S8E 90mm Shock Set	VPS10143	VFD Transmission Shaft Set
IRC00502	S8E Shock Molded Components	VPS10144	VFD Transmission Housing Set
IRC00505	S8E 90mm Shock Body	VPS10147	VFD Sintered Gear Set
IRC00506	S8E 90mm Shock Shaft	VPS10152	VFD Transmission Kit
IRC00507	S8E Shock Rebuild Kit	VPS10180	VS4-10 Narrow Molded Inner Fenders
IRC00508	E-2 CLIP	VPS10181	Phoenix Bumpers & Sliders
IRC00509	S8E Upper and Lower Shock Pivots	VPS10182	VRD1 Rear Cage Set
IRC00513	S8E 90mm Spring Set	VPS10183	VRD1 Rear Cage Parts
IRC00523	S8E Shock Tuning Rod Ends	VPS10184	VRD1 Body Mounts
VPS02420	Sintered Servo Horn 25T 20mm	VPS10208	VFD Slipper Set
VPS07083	M2x10 Wheel Hex Pins	VPS10209	VFD Lockout Top Shaft SET
VPS08082	SCX10-II Rear Axle Shafts	VPS10230	Fordyce Cab
VPS08330	AR44 Axle Gear Set (30/8)	VPS10231	Fordyce Grill Set
VPS08460	VS4-10 Panhard Black	VPS20001	VT1 4ch Transmitter
VPS08602	F10 Straight Front Axle set	VPS20002	VR1 4ch Receiver
VPS08603	F10 Straight Rear Axle Set	VPS20003	VS1 Servo
VPS08620	F10 Front Axle Housing	VPS20004	VE1 60amp ESC
VPS08621	F10 Rear Axle Housing	VPS20005	VM1 35t Motor
VPS08622	F10 Knuckle and Lockout		

OPTION PARTS

IRC00013	IRC Pro Rod End Pack (12)	VPS08500	Machined Rod Ends - Black
IRC00014	IRC Pro Bent Rod End Pack (4)	VPS08501	Machined Rod Ends - Clear
VPS01360	VFD Hurtz Dig Black	VPS08614	Oil Fill Cap - Red
VPS01361	VFD Hurtz Dig Clear	VPS08623	F10 Aluminum Front 3rd Member -Black
VPS01366	VFD Hurtz Dig Replacement Components	VPS08624	F10 Aluminum Front 3rd Member -Clear
VPS02412	Clamping Servo Horn 25T 20mm Grey	VPS08625	F10 Aluminum Rear 3rd Member - Black
VPS02413	Clamping Servo Horn 24T 20mm Grey	VPS08626	F10 Aluminum Rear 3rd Member - Clear
VPS02900	F10 Aluminum Knuckles Black	VPS08630	F10T Front Axle Housing - Black
VPS02901	F10 Aluminum Knuckles Clear	VPS08631	F10T Front Axle Housing - Clear
VPS02902	F10 Aluminum Knuckles Grey	VPS08632	F10T Rear Axle Housing - Black
VPS02903	F10 Aluminum Knuckles Orange	VPS08633	F10T Rear Axle Housing - Clear
VPS02904	F10 Aluminum Knuckles Red	VPS10102	VXT2 1.9 Tires (2)
VPS02905	F10 Aluminum Knuckles Blue	VPS10104	Falken Wild Peak RT 1.9 4.19 RED Com
VPS05253	0.8" Brass Clamp Rings (2)	VPS10141	VFD Machined Gear Set
VPS05255	0.8" Aluminum Clamp Rings (2)	VPS10142	VFD 30t Overdrive Bearing Plate Set
VPS07080	12mm Hex Clear Anodized	VPS10146	VFD 21% Overdrive Gear Set
VPS07081	12mm Hex Grey Anodized	VPS10148	VFD Motor Plate - Black
VPS07082	12mm Hex Black Anodized	VPS10149	VFD Light Weight Motor Plate - Clear
VPS08070	Vanquish SCX10-II Spool	VPS10151	VFD Aluminum Posts
VPS08331	AR44 Axle UD Gear Set	VPS10305	Stance Pro Foams - 4.65 Tall
VPS08353	20/28 Overdrive Portal Gear Set		
VPS08354	18/30 Standard Portal Gear Set		
VPS08461	VS4-10 Panhard Clear		

GEAR RATIO CHART

Axle Ratio: 3.75

Rear Ratio without spur/pinion: 16.5 / 11.80

Front Ratio Standard 6.5% OD without spur/pinion: 11.1

Note: Not all Spur and Pinion combinations are compatible

32P Front Standard OD 6.5% Output Drive Ratio

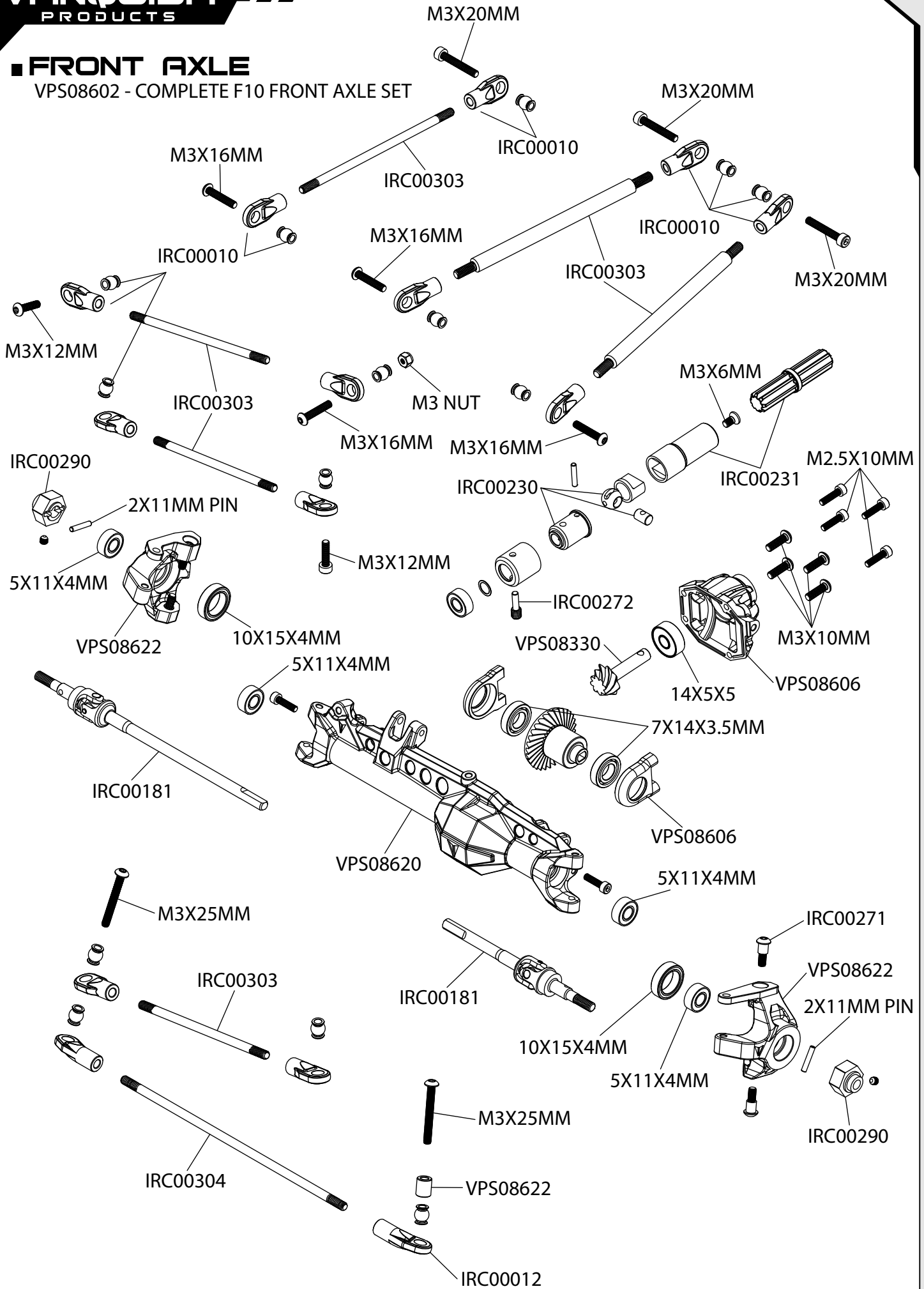
Pinion	Spur Gear				
	48	50	52	54	56
11	48.3	50.3	52.3	54.3	56.3
12	44.2	46.1	47.9	49.8	51.6
13	40.8	42.5	44.2	45.9	47.6
14	37.9	39.5	41.1	42.7	44.2
15	35.4	36.9	38.3	39.8	41.3
16	33.2	34.6	35.9	37.3	38.7
17	31.2	32.5	33.8	35.1	36.4

32P Rear output Ratio

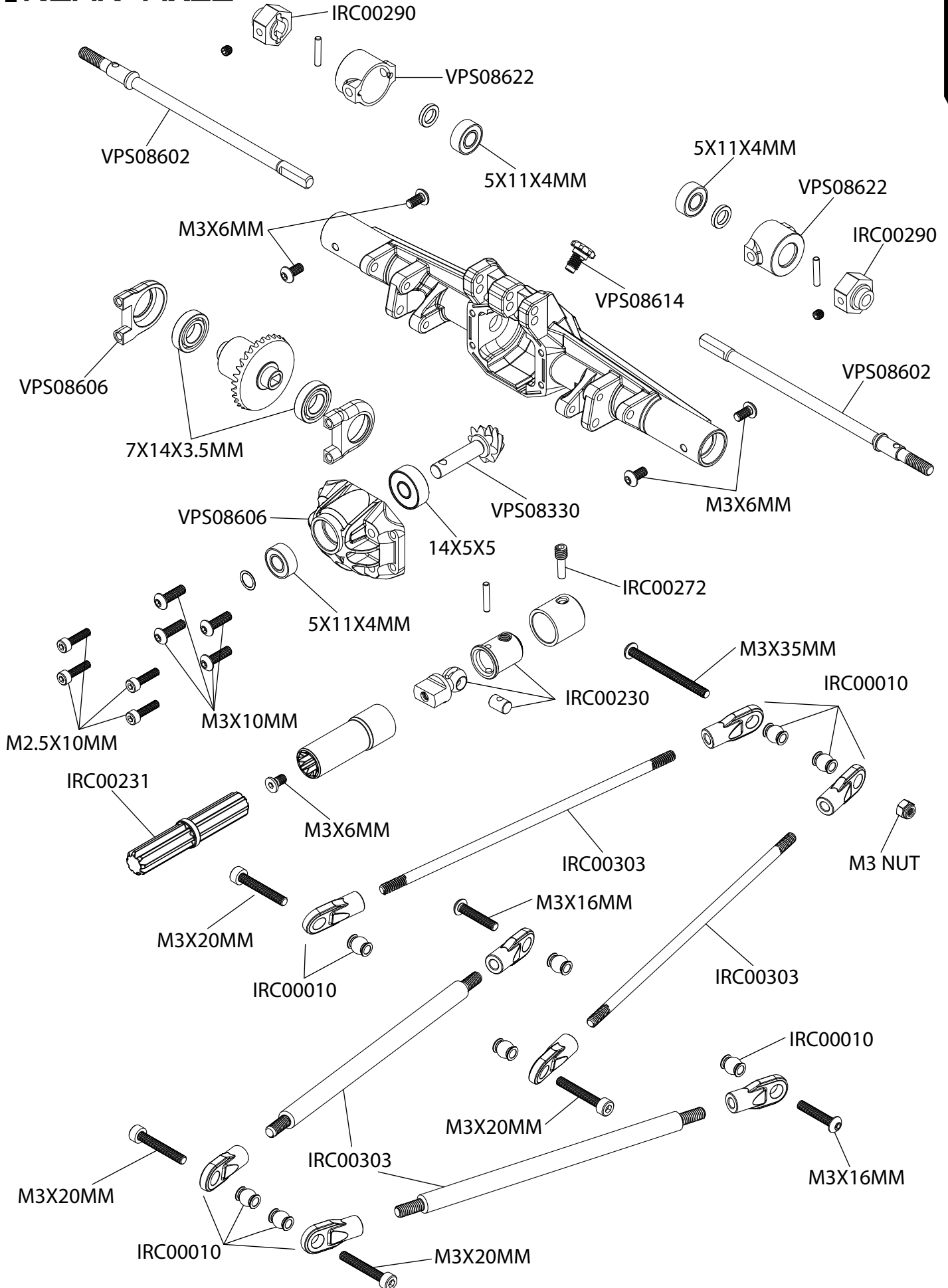
Pinion	Spur Gear				
	48	50	52	54	56
11	51.5	53.6	55.8	57.9	60.1
12	47.2	49.1	51.1	53.1	55.0
13	43.6	45.4	47.2	49.0	50.8
14	40.4	42.1	43.8	45.5	47.2
15	37.7	39.3	40.9	42.5	44.0
16	35.4	36.9	38.3	39.8	41.3
17	33.3	34.7	36.1	37.5	38.9

FRONT AXLE

VPS08602 - COMPLETE F10 FRONT AXLE SET

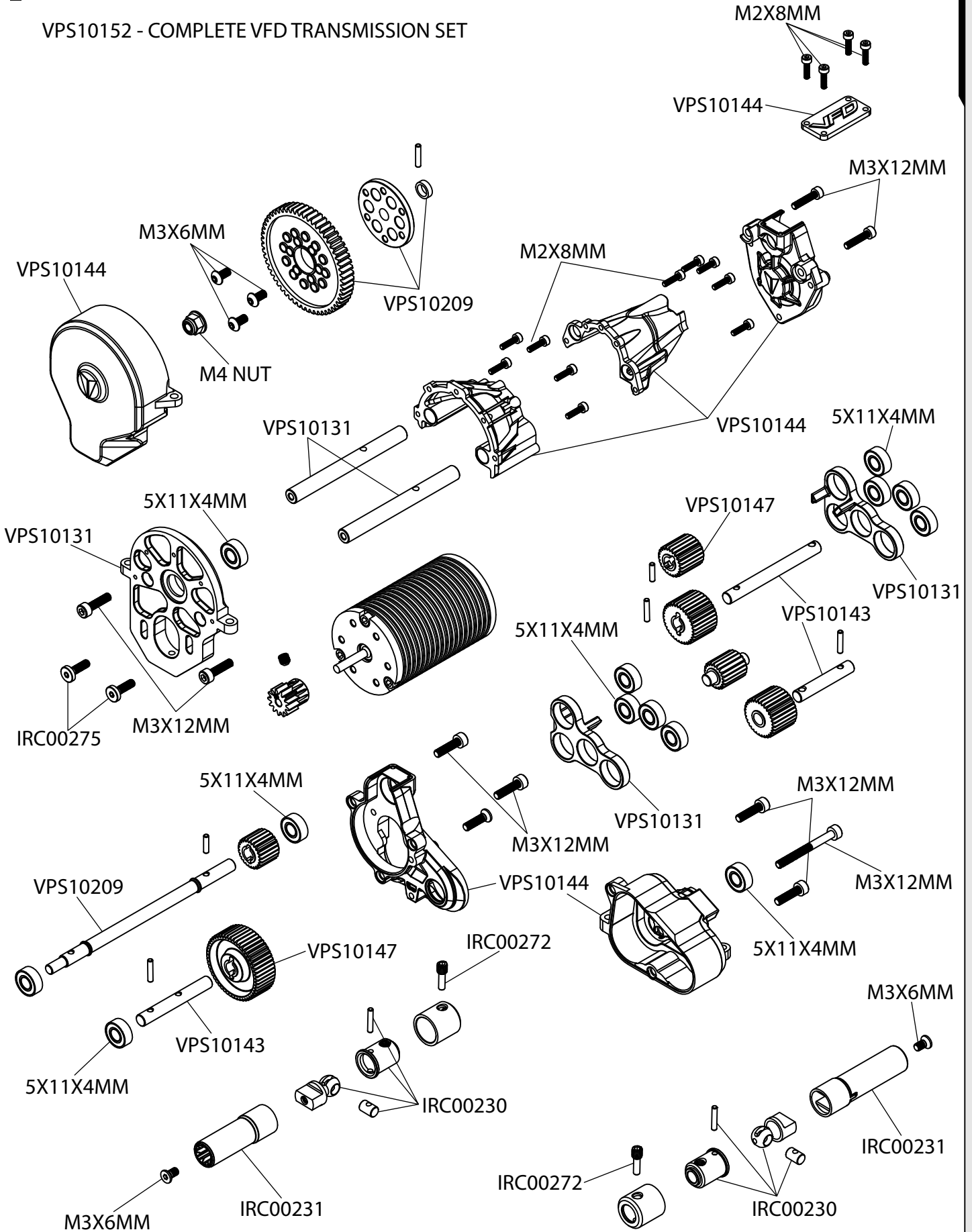


REAR AXLE

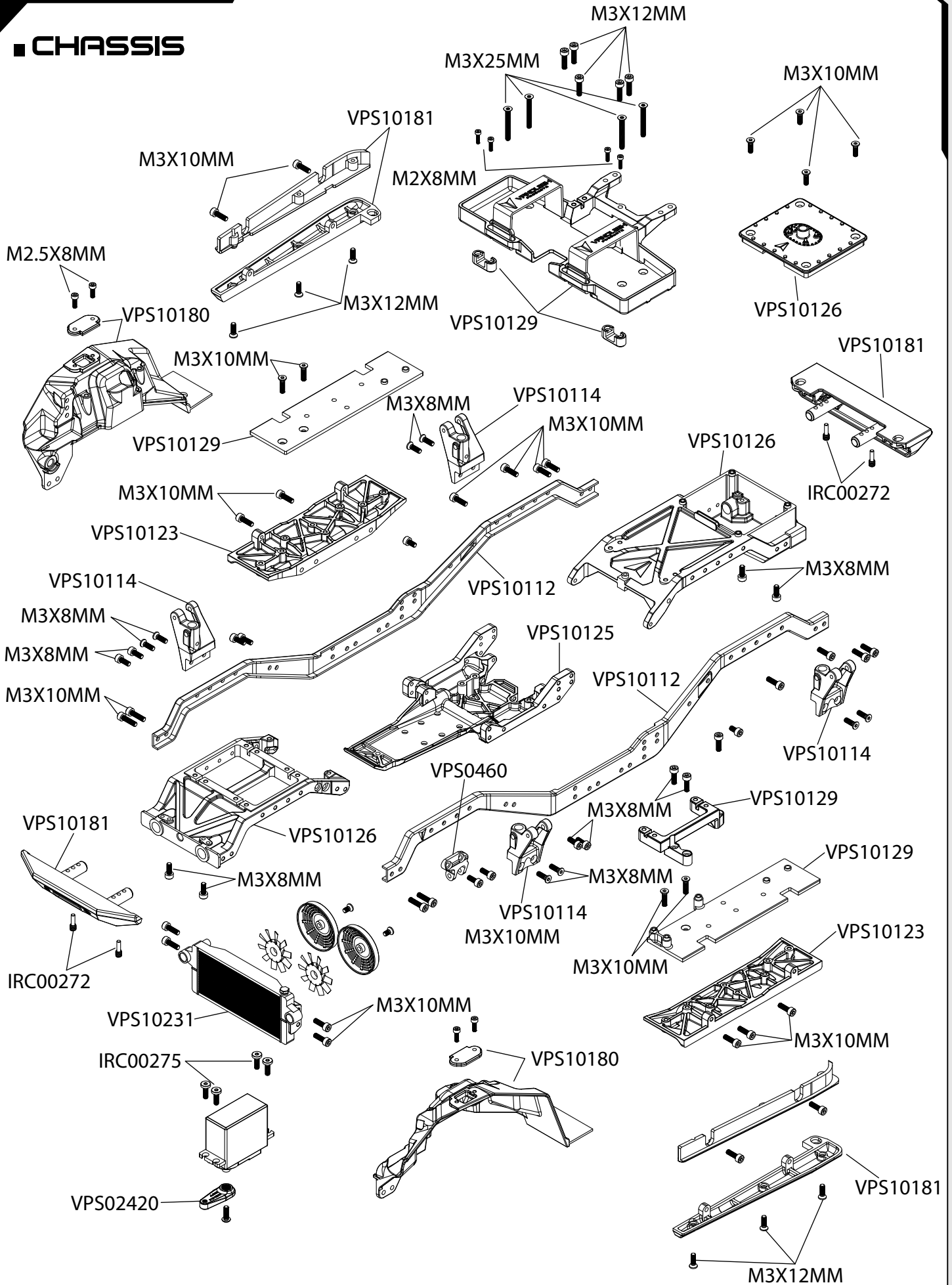


TRANSMISSION

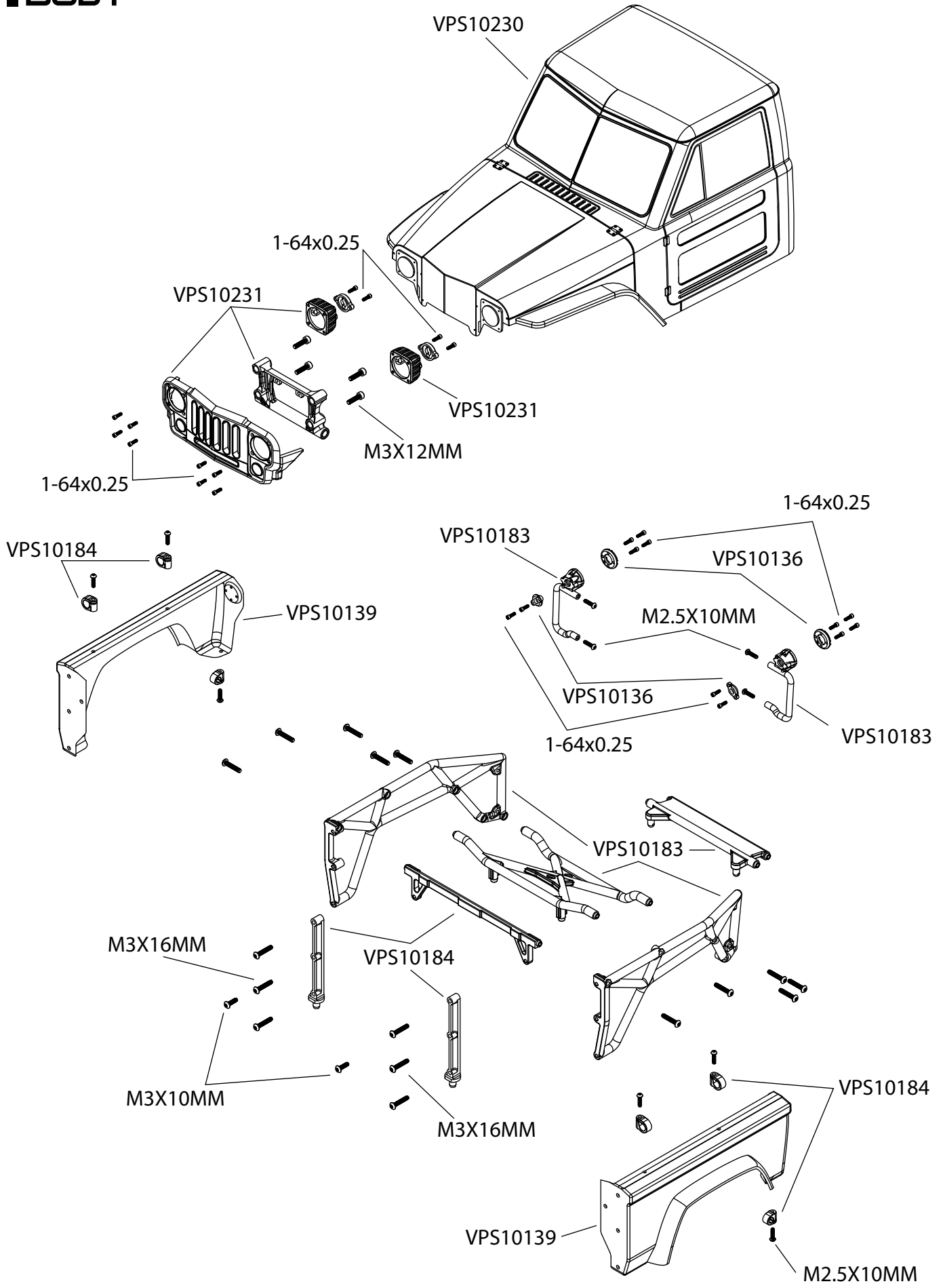
VPS10152 - COMPLETE VFD TRANSMISSION SET



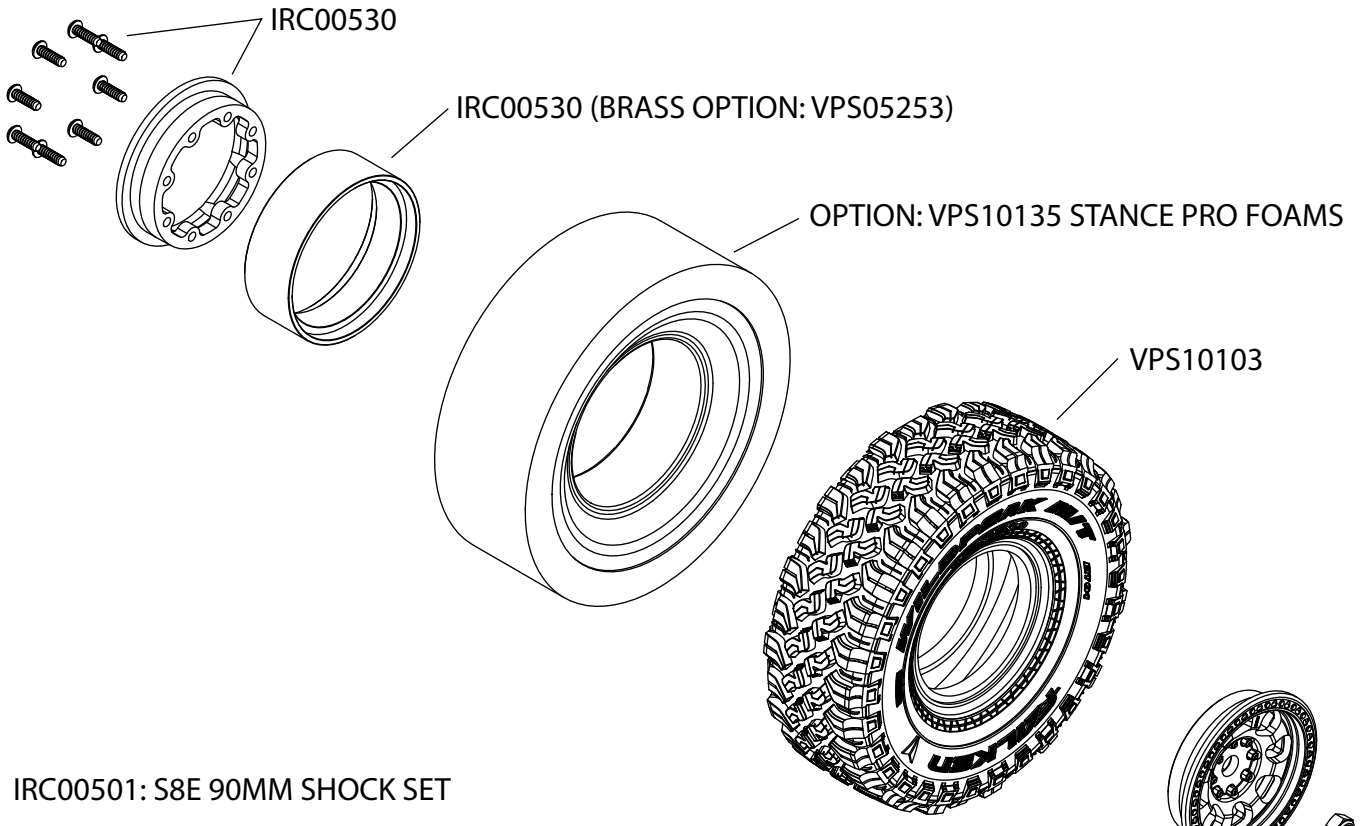
CHASSIS



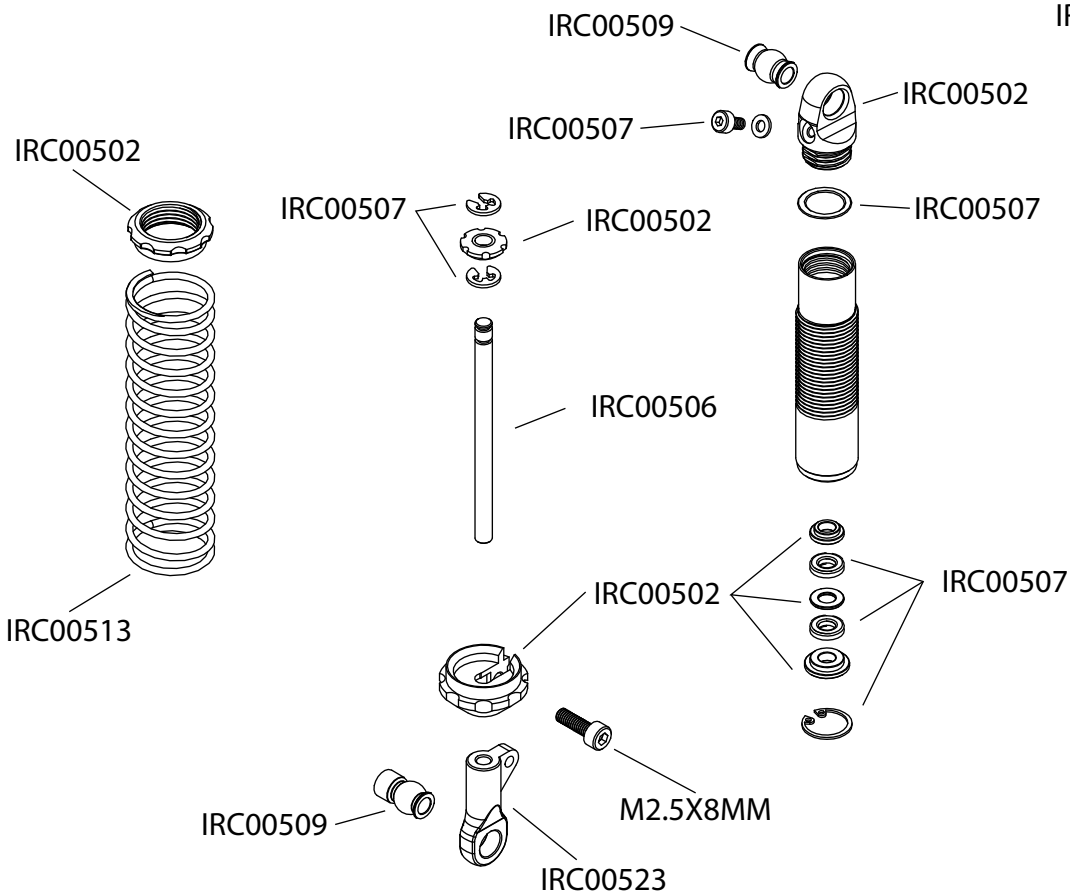
BODY



■ TIRES, SHOCKS



IRC00501: S8E 90MM SHOCK SET

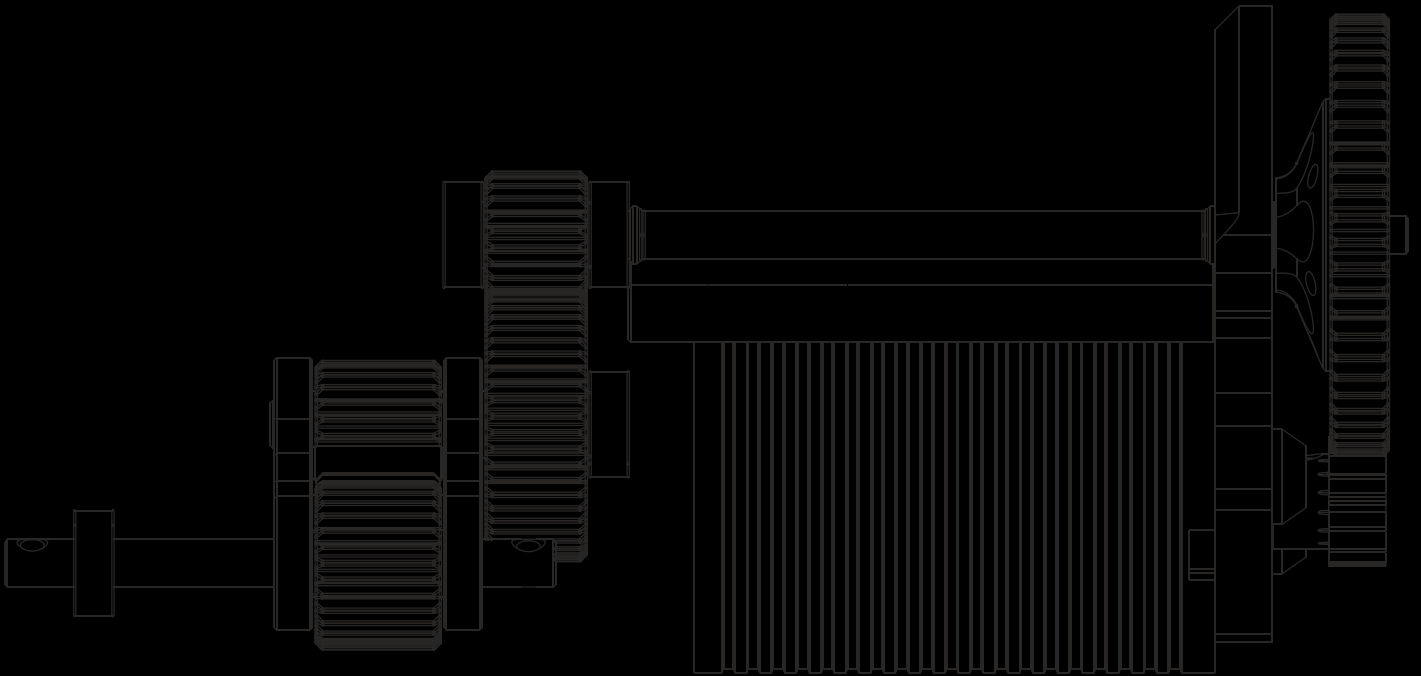


NOTE:





VANQUISH FORWARD DESIGN



KMC[™]
W H E E L S

RIGID[®]

M MAGNAFLOW[®]

FALKEN

Designed in California

Manufactured in Taiwan

5710 Roseville Rd Sacramento CA 95842

www.vanquishproducts.com