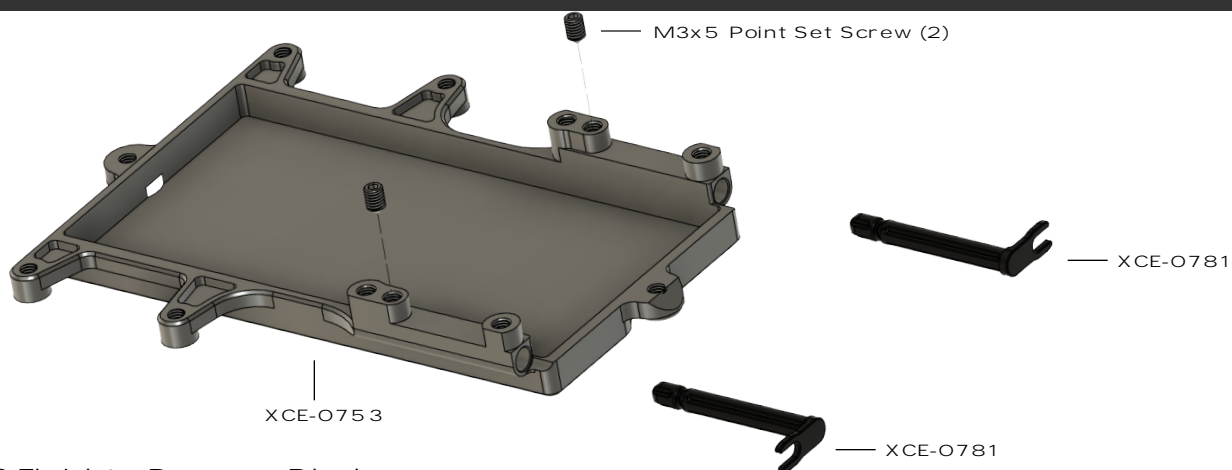
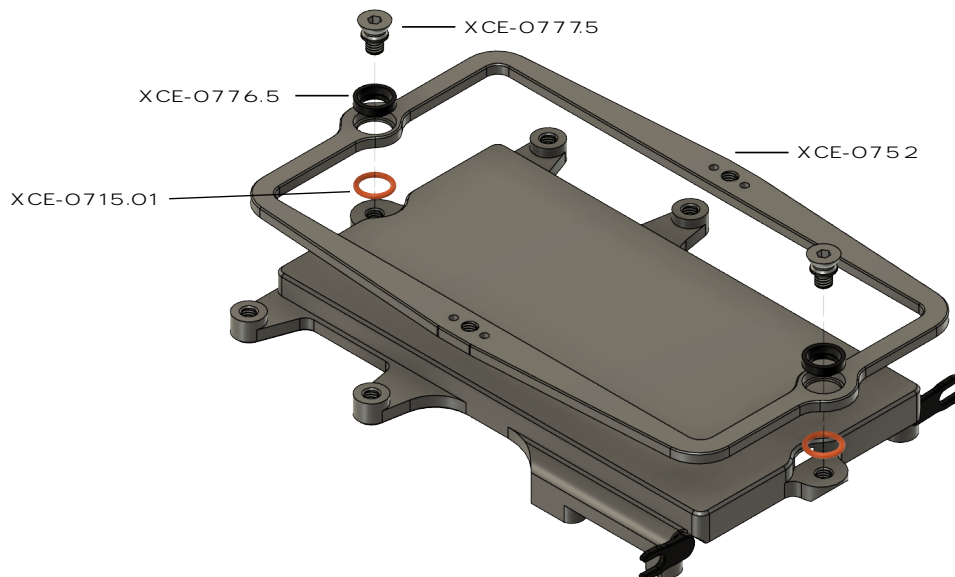


### Step 1

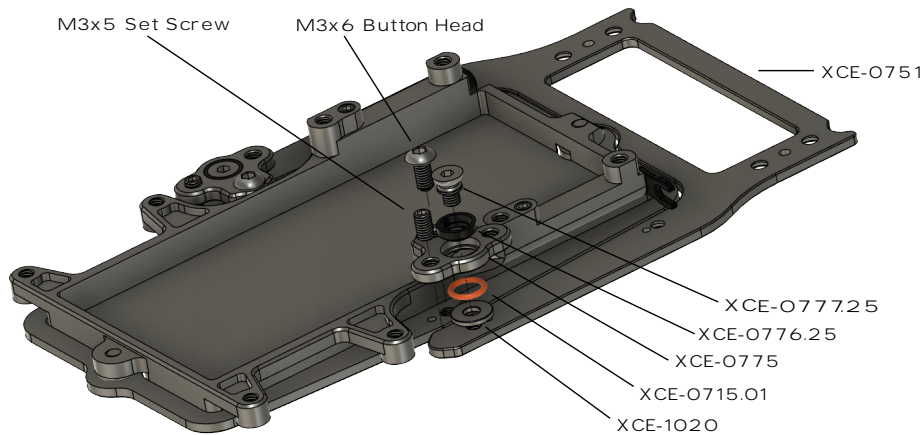


Apply 60-80k Diff Fluid to Damper Blades

### Step 2

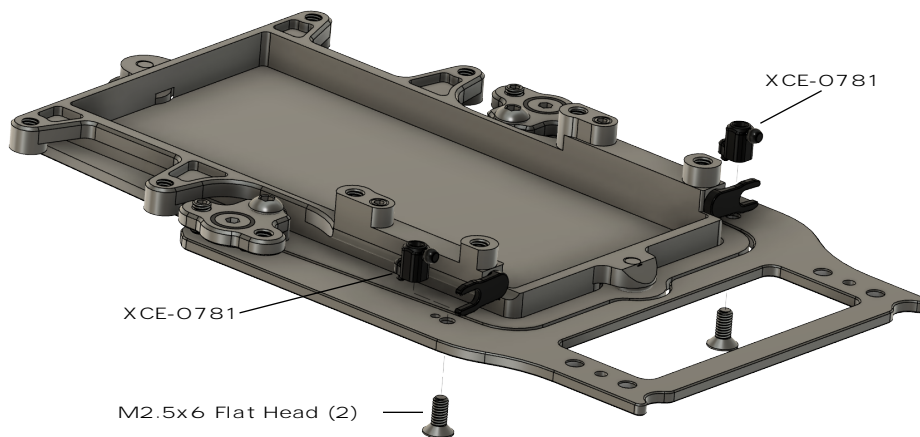


### Step 3

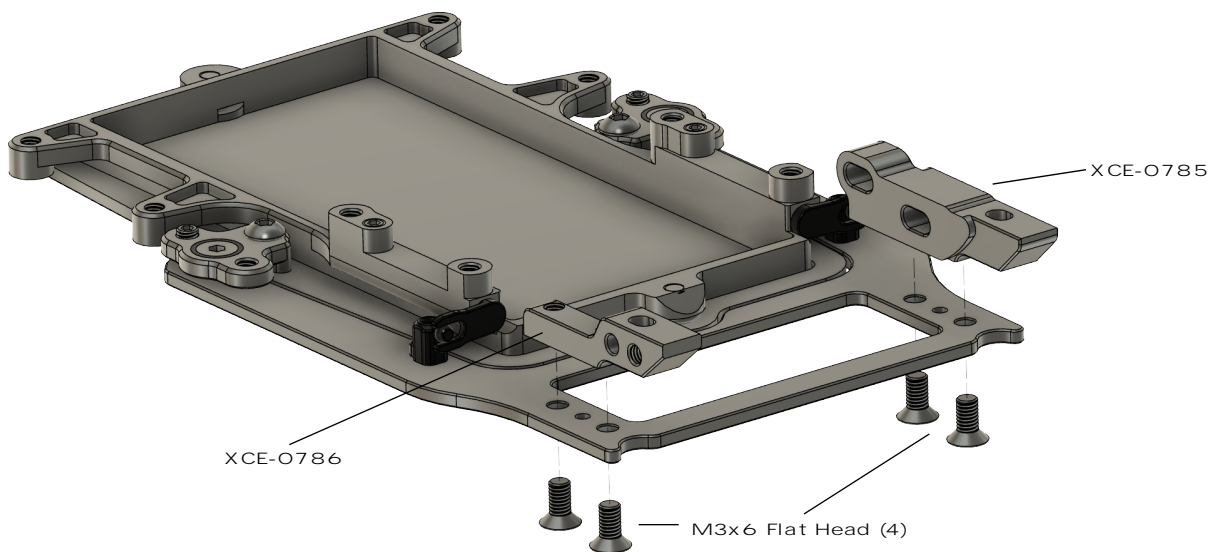


Repeat Assembly X2

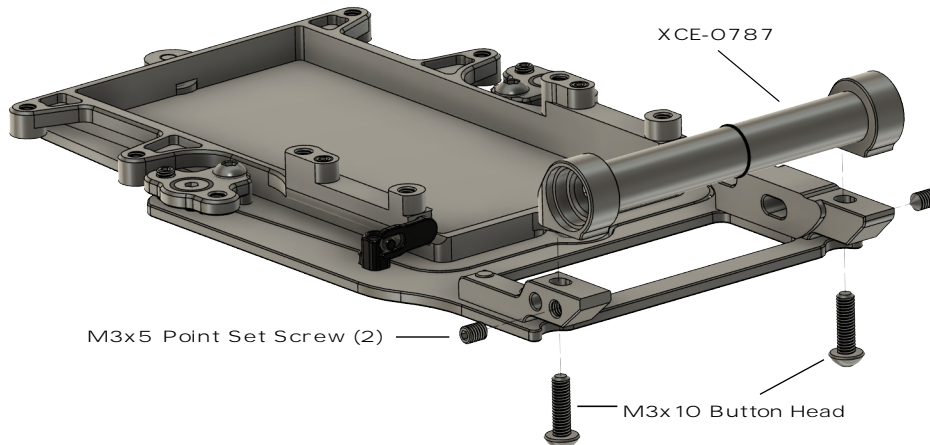
### STEP 4



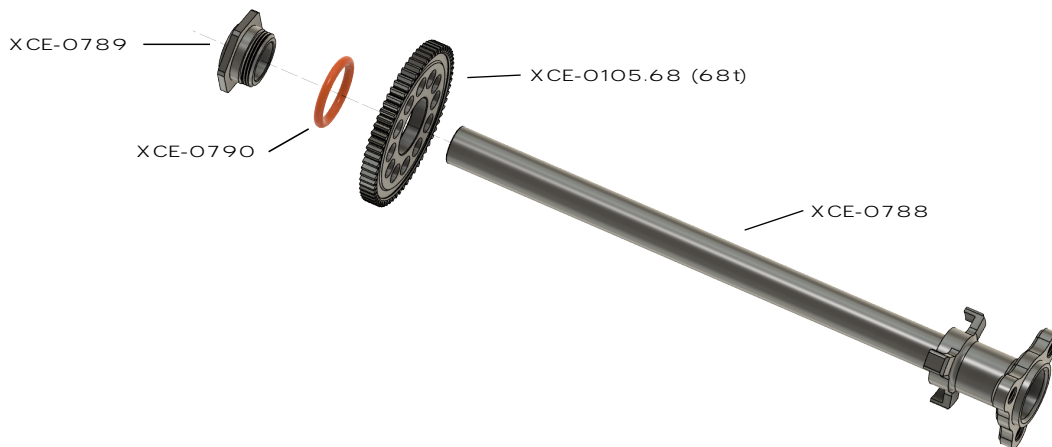
### STEP 5



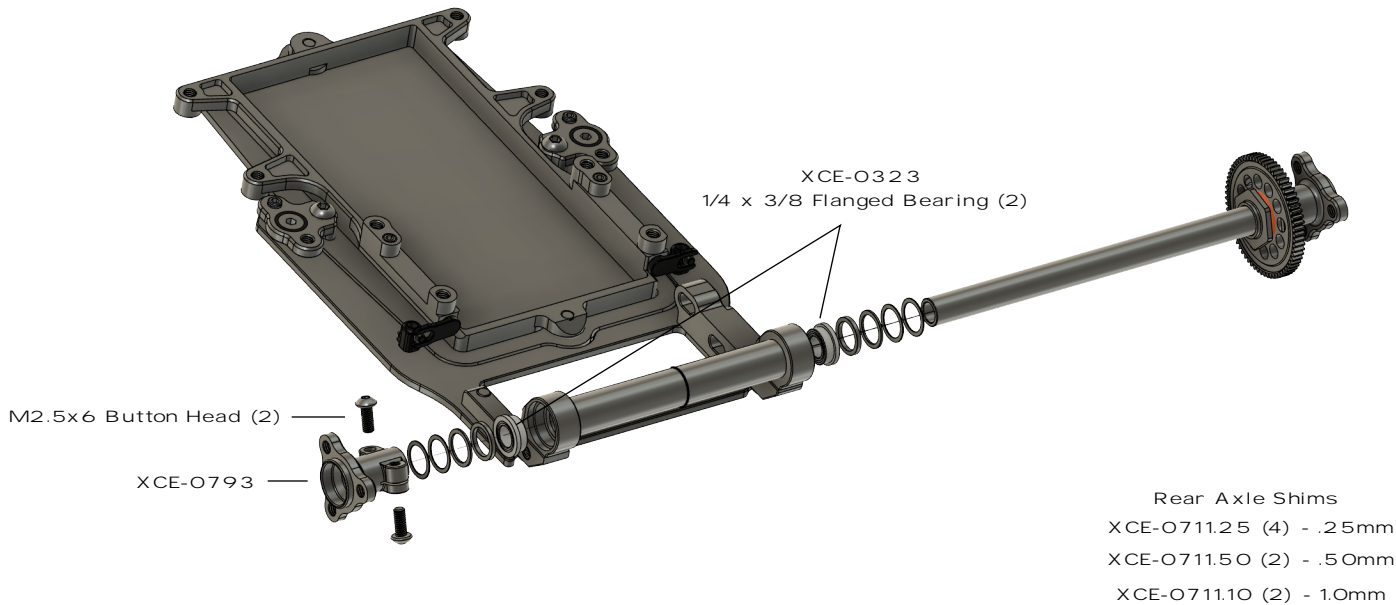
### STEP 6



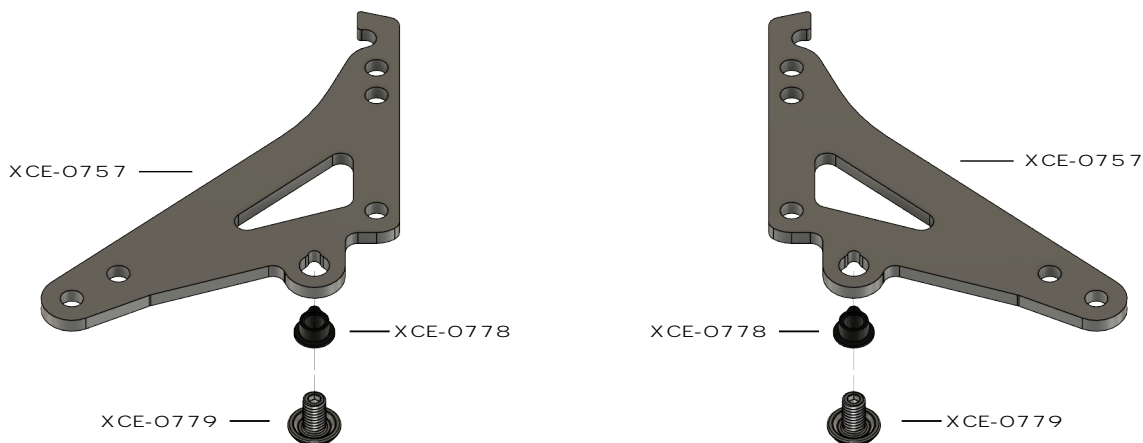
### STEP 7



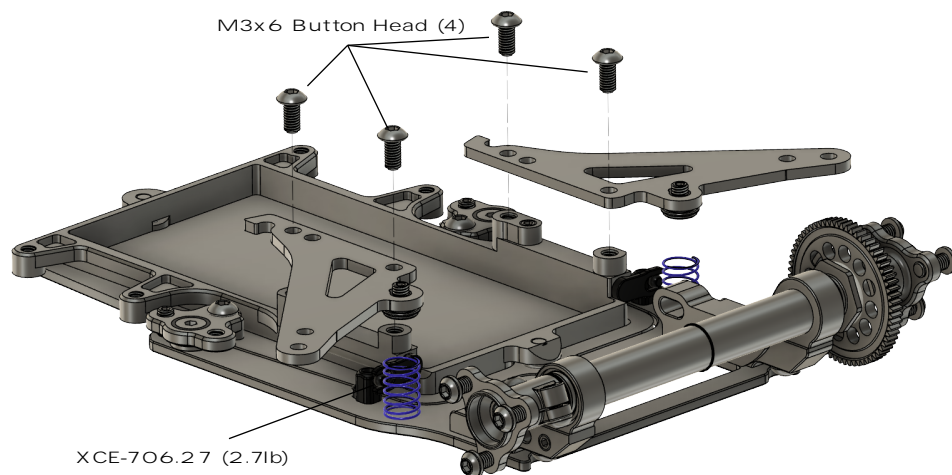
### STEP 8



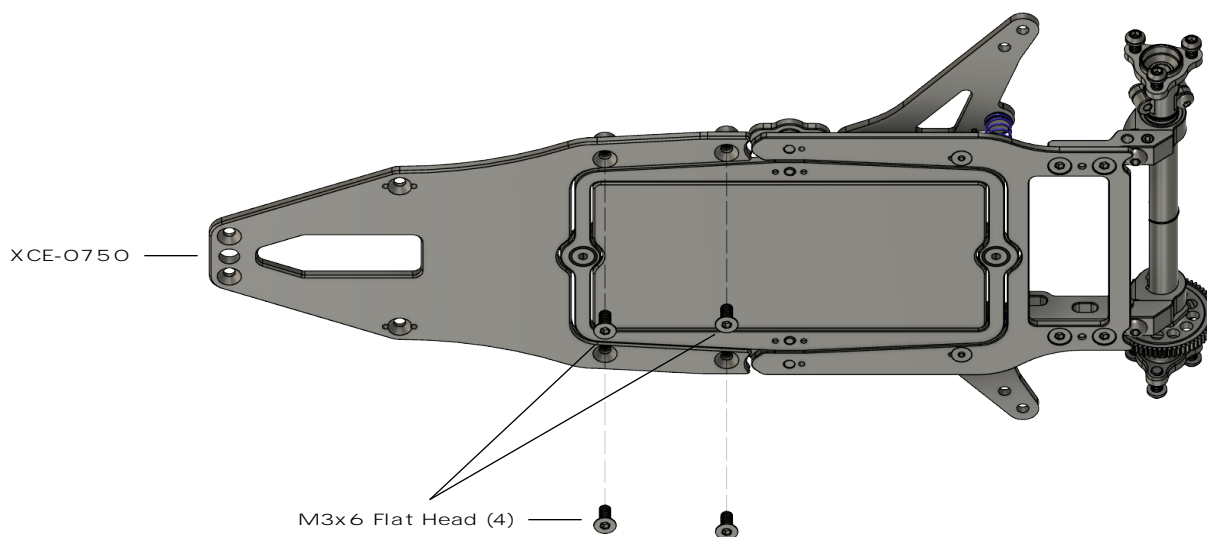
### STEP 9



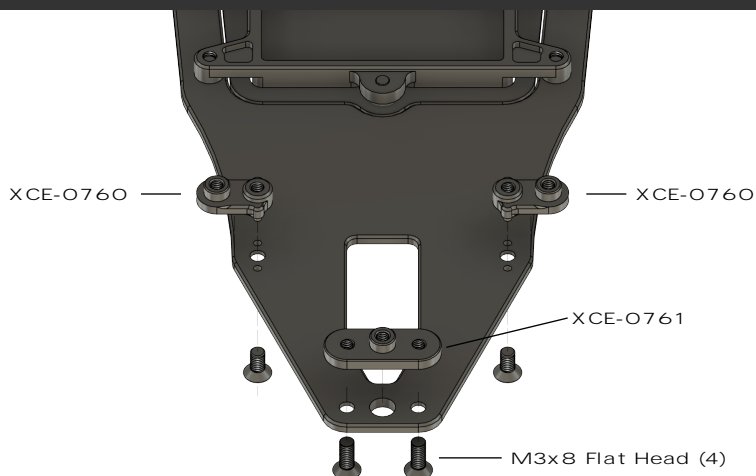
### STEP 10



### STEP 11

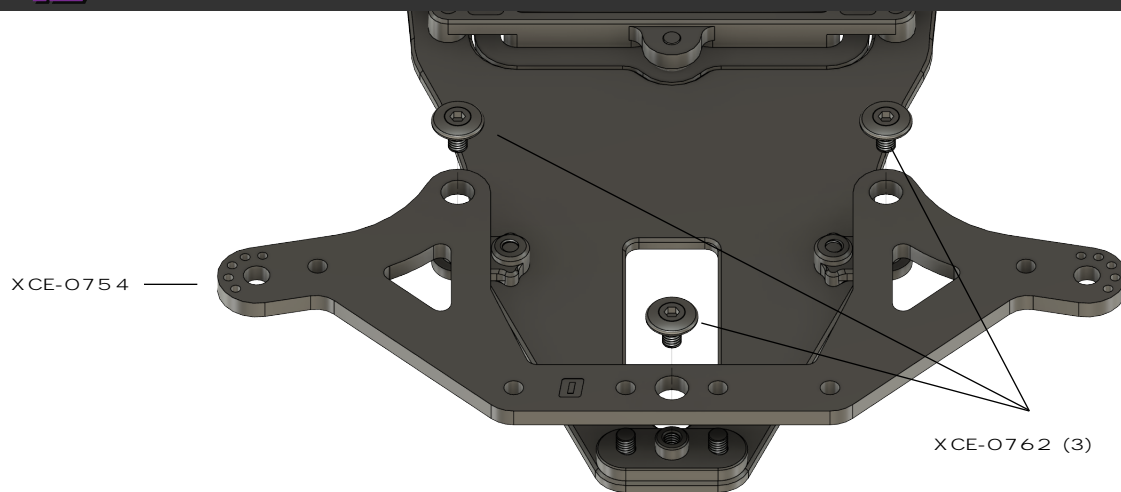


### STEP 12

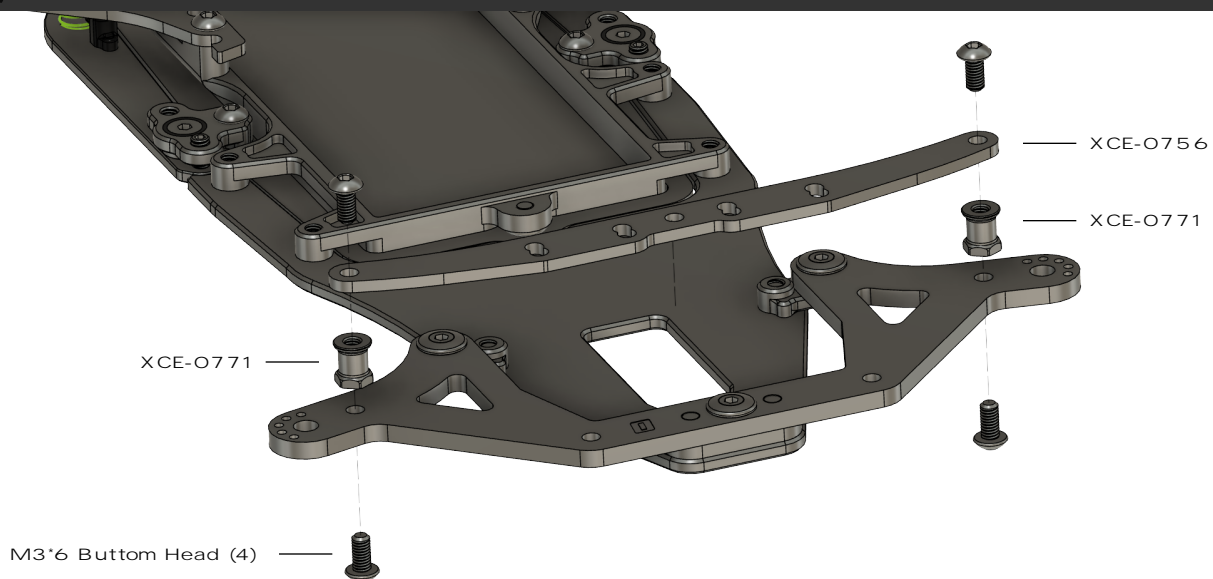




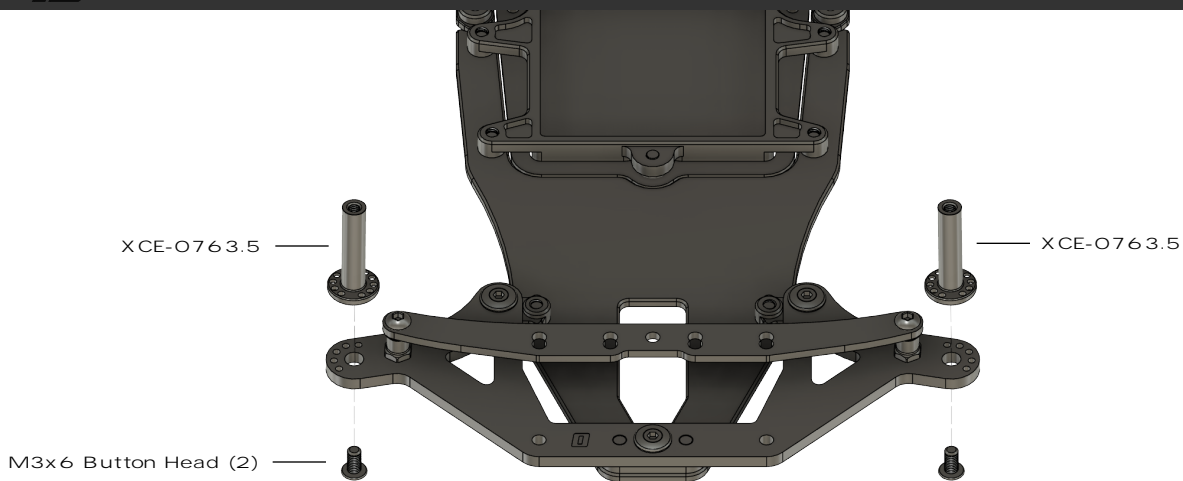
### STEP 13



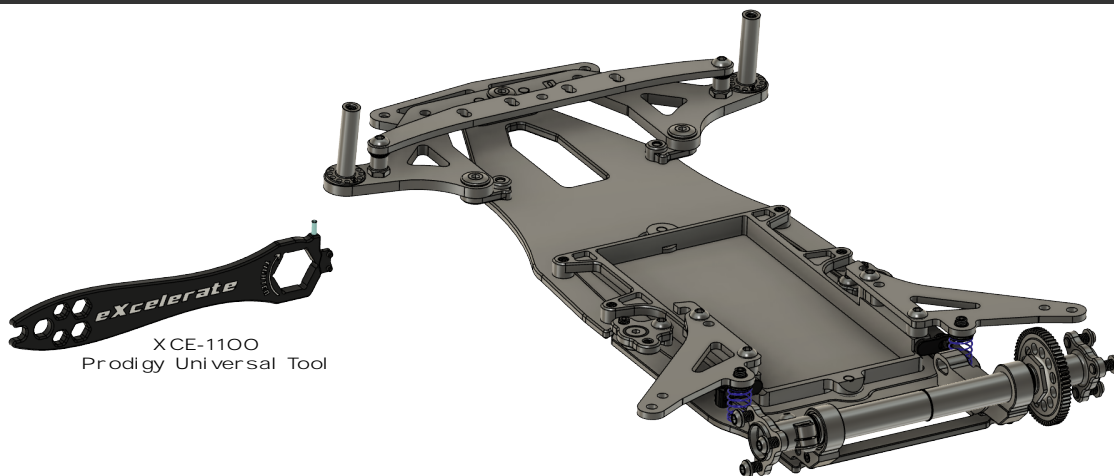
### STEP 14



### STEP 15

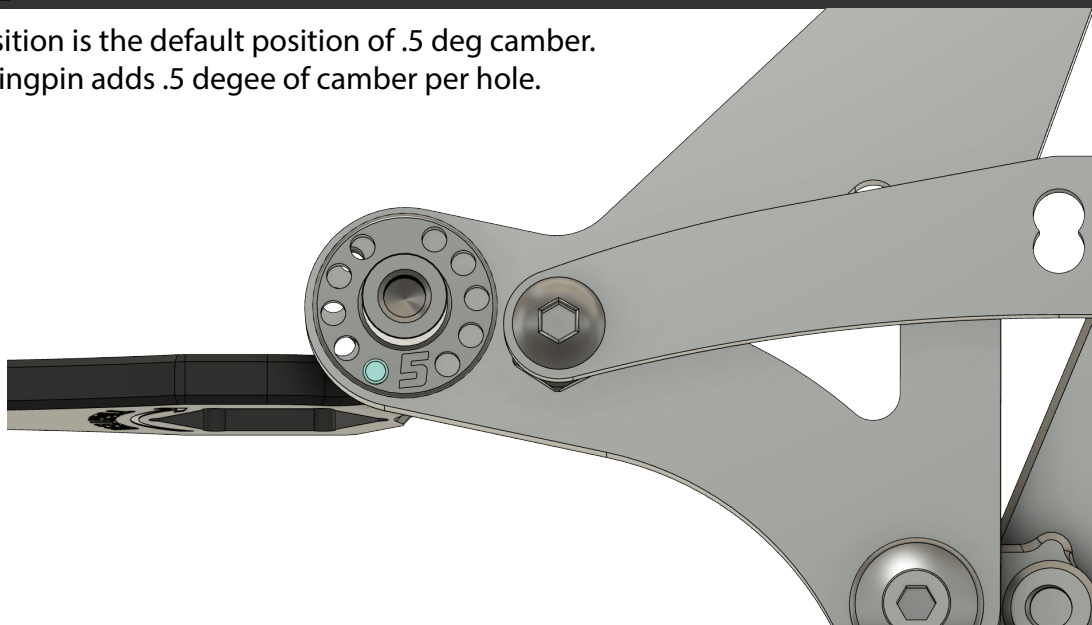


### STEP 16



### STEP 17

The below position is the default position of .5 deg camber.  
Rotating the kingpin adds .5 degree of camber per hole.

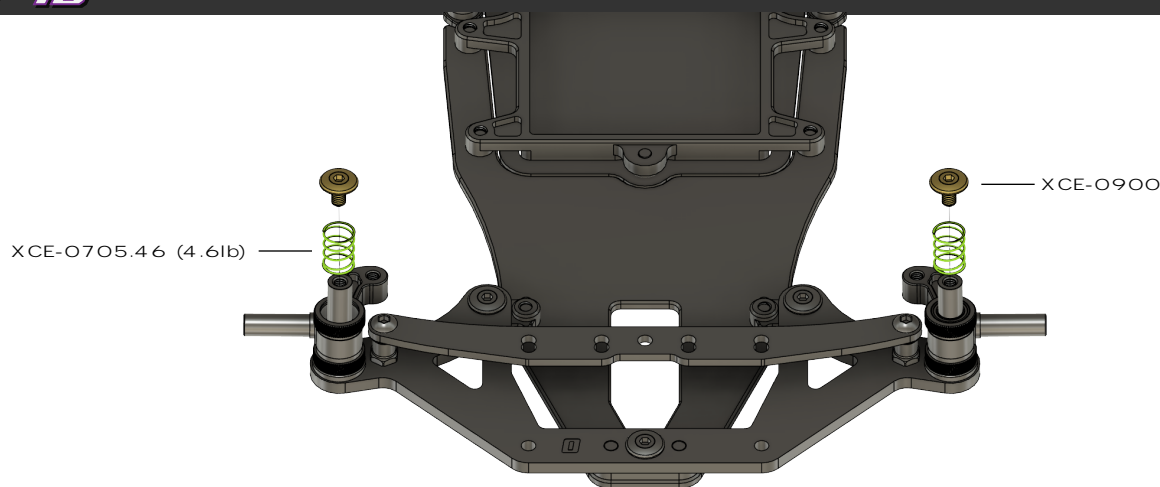


### STEP 18

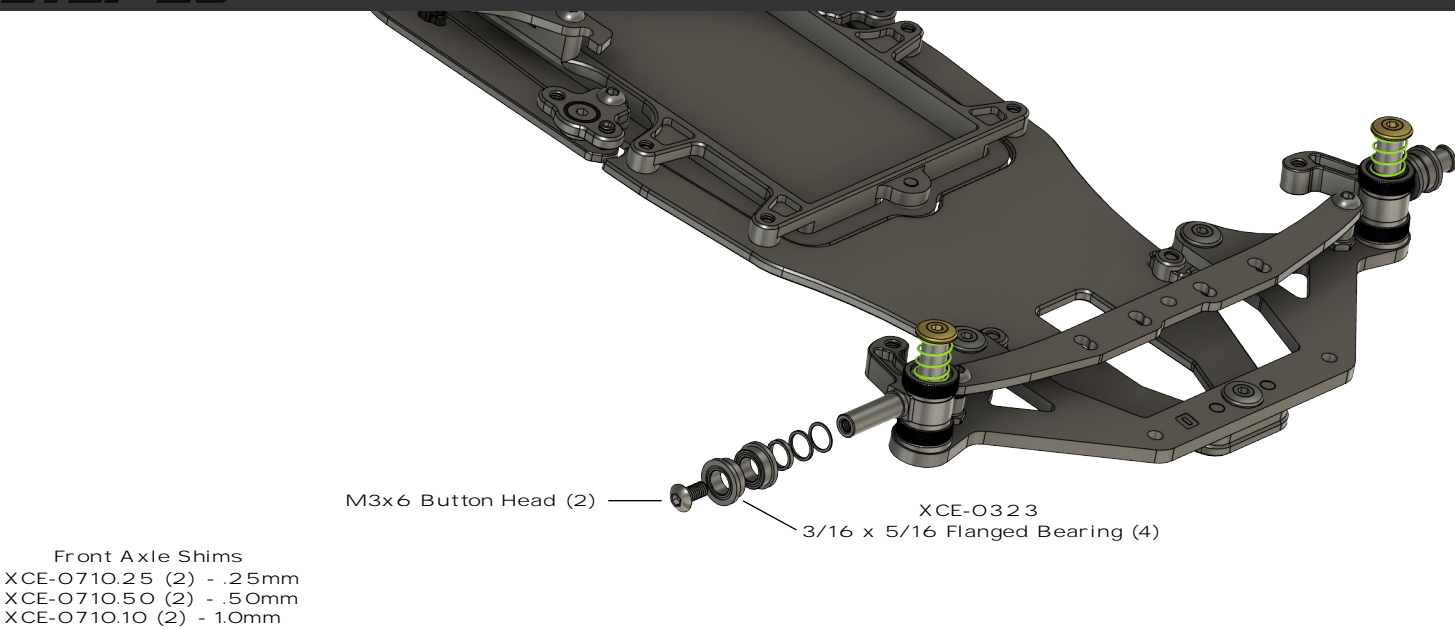


APPLY 5-15K DIFF FLUID IN BUSHINGS

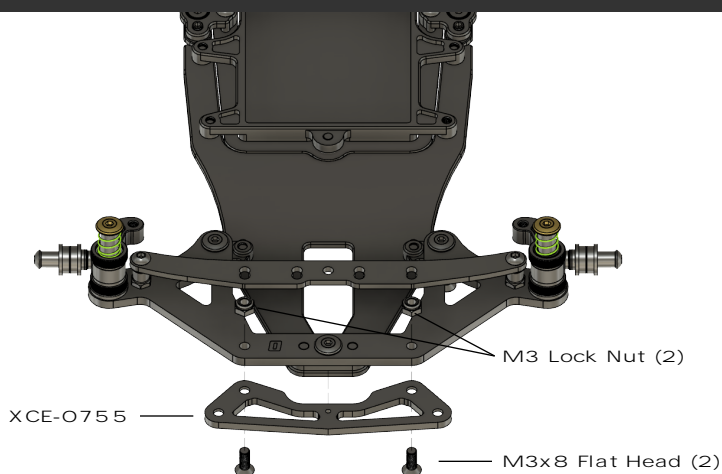
### STEP 19



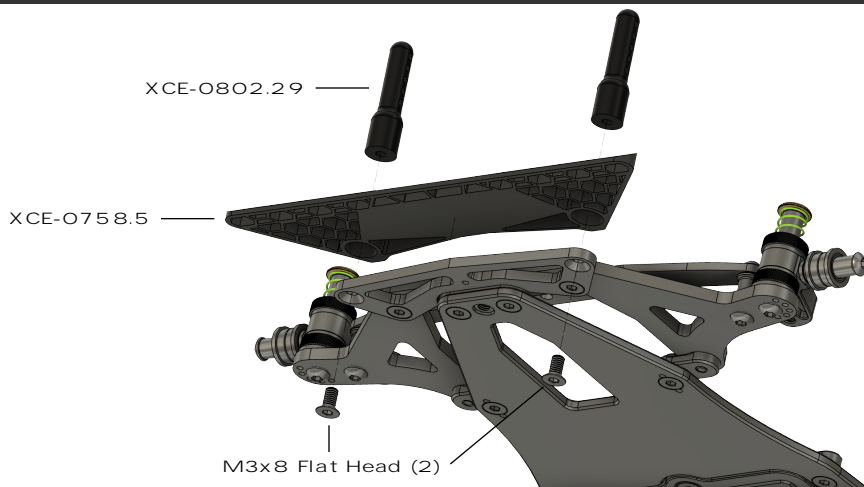
### STEP 20



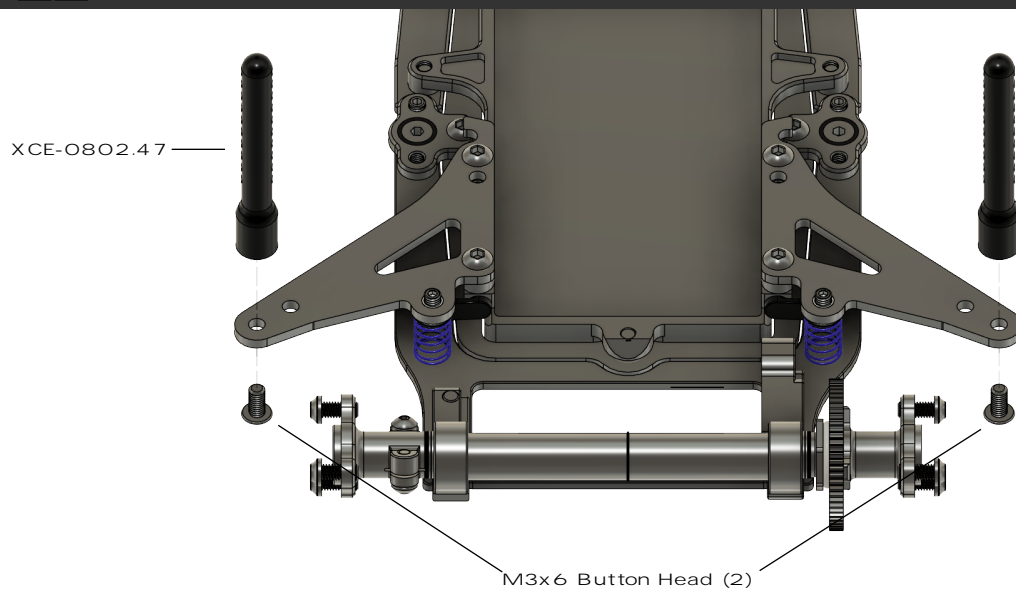
### STEP 21



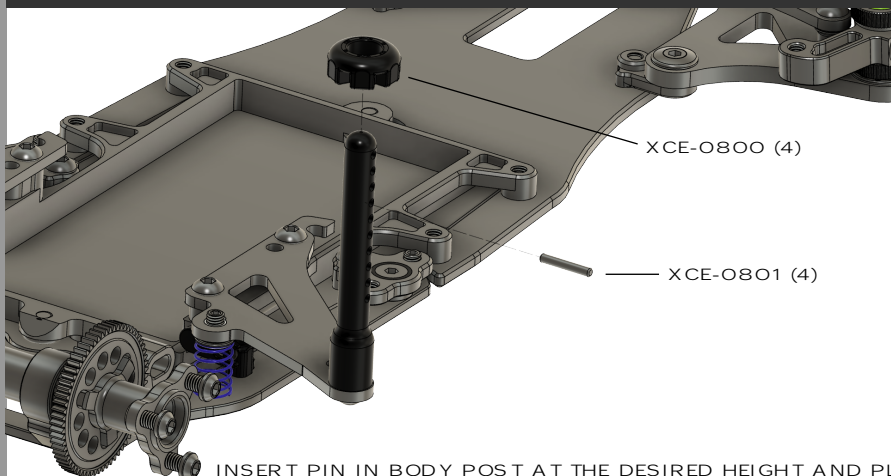
### STEP 22



### STEP 23



### STEP 24

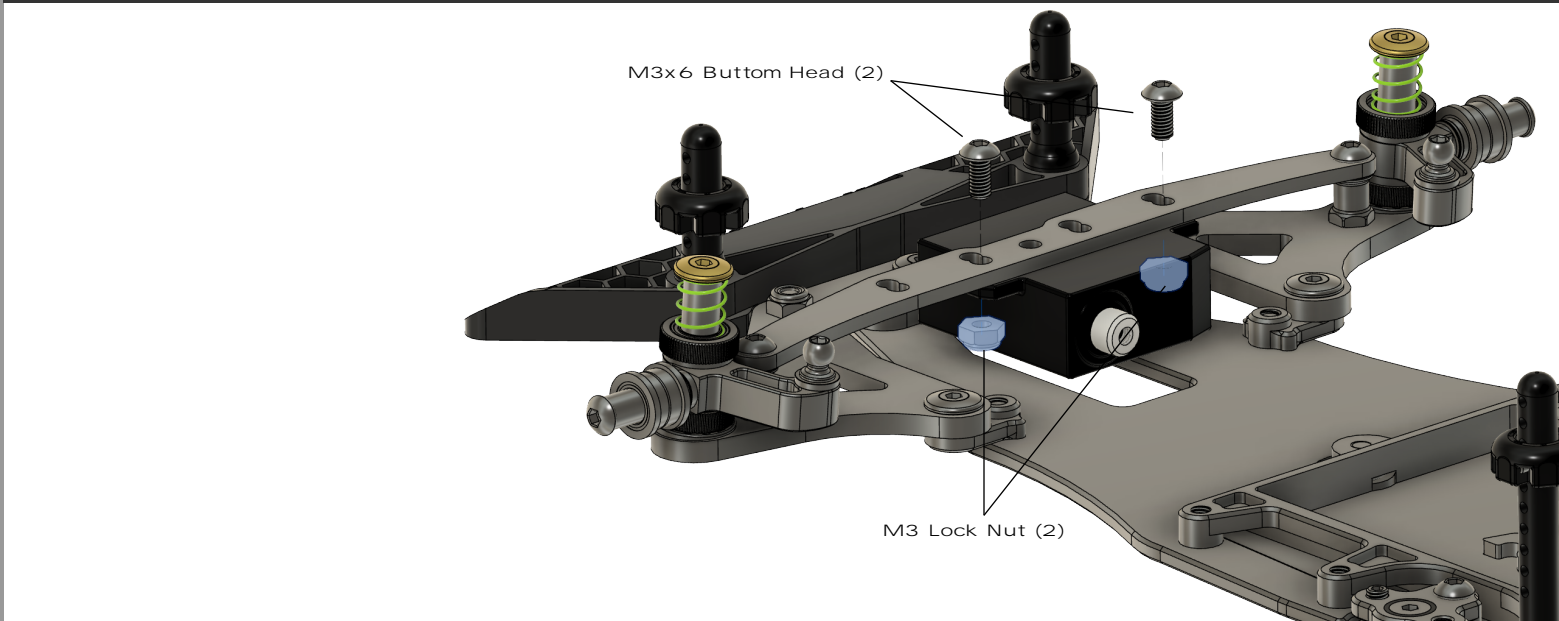


INSERT PIN IN BODY POST AT THE DESIRED HEIGHT AND PLACE ADJUSTMENT COLLAR OVER BODY POST AND PIN

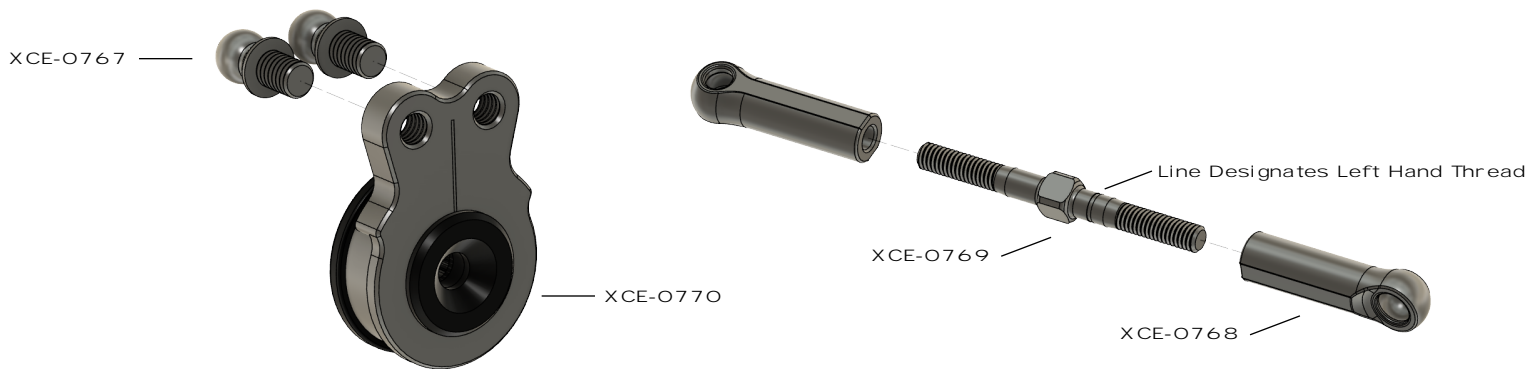
### STEP 25



### STEP 26



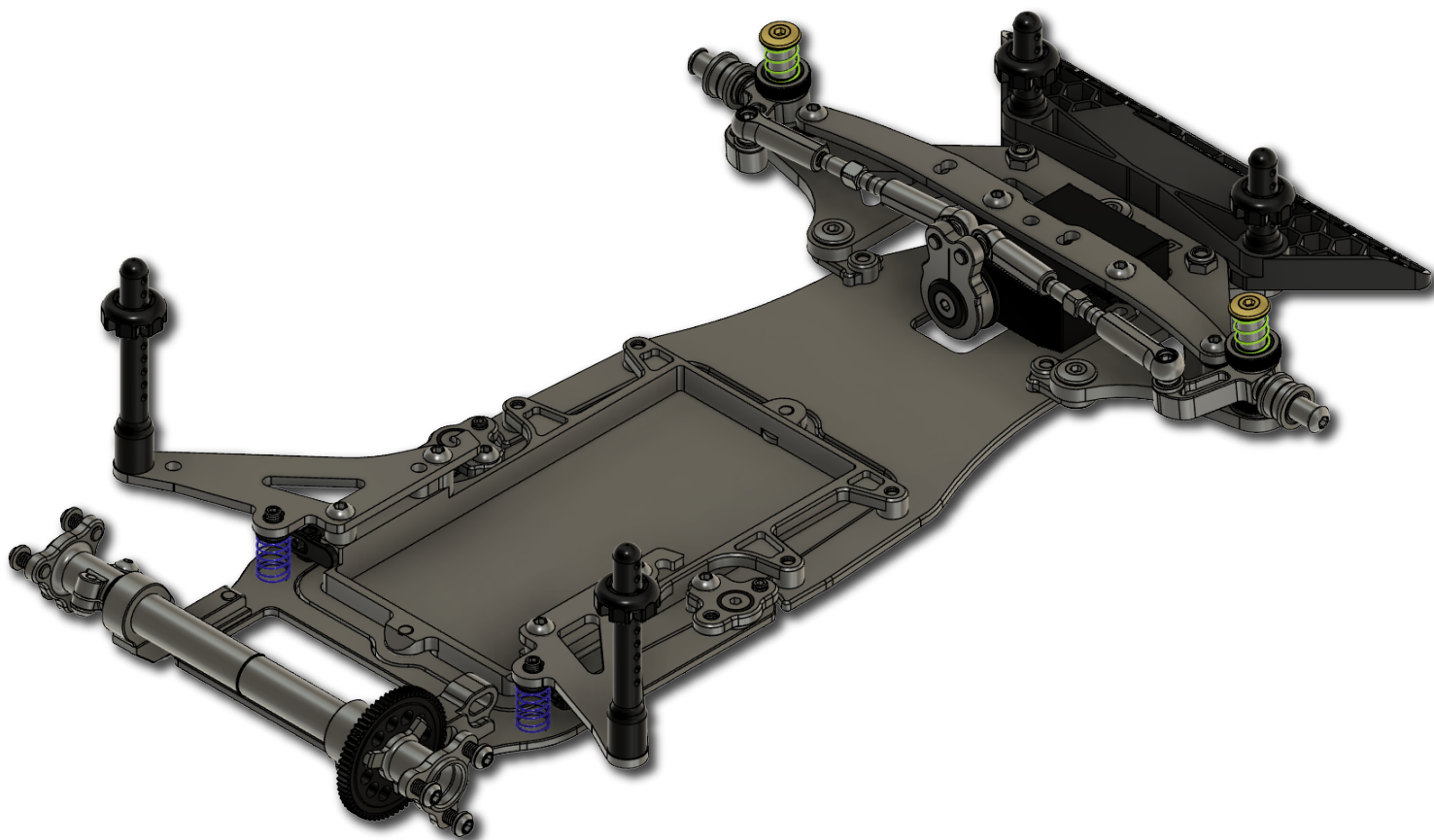
### STEP 27





# PRODIGY

1/12th On Road Chassis



**eXcelerate**  
[www.exceleratorc.com](http://www.exceleratorc.com)

### Kit Components

XCE-0322	3/16 x 5/16 Flanged Bearing
XCE-0323	1/4 x 3/8 Flanged Bearing
XCE-0701	Battery O-Ring
XCE-0705.46	Front Spring (4.6) Green
XCE-0706.27	Rear Spring (2.7) Blue
XCE-0710.25	3/16 Front Axle Shims .25
XCE-0710.50	3/16 Front Axle Shims .50
XCE-0710.10	3/16 Front Axle Shims .10
XCE-0711.25	1/4 Rear Axle Shim .25
XCE-0711.50	1/4 Rear Axle Shim .50
XCE-0711.10	1/4 Rear Axle Shim 1.0
XCE-0715.01	5 x 7 x 1mm O-Ring - Soft
XCE-0750	Prodigy Chassis Plate
XCE-0751	Prodigy Flex Plate
XCE-0752	Prodigy Roll Plate
XCE-0753	Prodigy Battery Tray
XCE-0754.0	Prodigy Front Plate 0
XCE-0755	Prodigy Bumper Mount
XCE-0756	Prodigy Servo Mount
XCE-0757	Prodigy Spring Plate
XCE-0758.1	Prodigy Front Bumper
XCE-0760	Prodigy Front A-Arm Mount
XCE-0761	Prodigy Front Mount
XCE-0762	Prodigy Kingpin Screw
XCE-0900	Kingpin Screw - TI
XCE-0763.5	Prodigy Kingpin 5 Deg
XCE-0764	Prodigy Steering Bushing
XCE-0765	Prodigy Steering Cap
XCE-0766.15	Prodigy Steering Block Set -1.5
XCE-0767	4.3 Ball Stud
XCE-0768	4.3 Ball Cup
XCE-0769	34mm Tie Rod
XCE-0770	Prodigy Servo Crank
XCE-0771	Prodigy Support Stand Off
XCE-0775	Prodigy Flex Pivot
XCE-0776.25	Prodigy Pivot Socket .25
XCE-0777.25	Prodigy Pivot Screw .25
XCE-0776.5	Prodigy Pivot Socket .50
XCE-0777.5	Prodigy Pivot Screw .50
XCE-0778	Prodigy Carbon Insert
XCE-0779	Prodigy Spring Retainer
XCE-0780	Prodigy Damper Pivot
XCE-0781	Prodigy Damper Blade
XCE-0785	Prodigy Motor Plate
XCE-0786	Prodigy Left Mount
XCE-0787	Prodigy Axle Tube
XCE-0788	Prodigy Rear Axle / Hub
XCE-0789	Prodigy Spur Nut
XCE-0790	Spur Nut O-Ring
XCE-0793	Prodigy Left Hub
XCE-0800	Body Post Adjustment Collar
XCE-0801	Adjustment Collar Pins
XCE-0802.29	29mm Body Post
XCE-0802.47	47mm Body Post
XCE-0803	Body Clips
XCE-0142	3mm Lock Nut
XCE-1010	3 x 6 x .5 Ball Stud Shim
XCE-1011	3 x 6 x 1 Ball Stud Shim
XCE-1020	3 x 8 x 1 Shim

### Kit Hardware

2.5 x 6mm Flat Head
3 x 6mm Flat Head
3 x 8mm Flat Head
2.5 x 6mm Button Head
3 x 6mm Button Head
3 x 10mm Button Head
3 x 5mm Set Screw
3 x 5mm Point Set Screw

### Option Parts

XCE-0705.50	Front Spring 5.0lbs - Orange
XCE-0705.46	Front Spring 4.6lbs - Green
XCE-0705.41	Front Spring 4.1lbs - Red
XCE-0706.3	Rear Spring 3.0lbs - Pink
XCE-0706.27	Rear Spring 2.7lbs - Blue
XCE-0706.25	Rear Spring 2.5lbs - Teal
XCE-0715.02	5x7x1mm O-Ring - Med
XCE-0715.03	5x7x1mm O-Ring - Firm
XCE-0754.15	Prodigy Front Plate -1.5
XCE-0754.45	Prodigy Front Plate -4.5
XCE-0754.60	Prodigy Front Plate -6
XCE-0763.4	Prodigy Kingpin 4 Deg
XCE-0763.6	Prodigy Kingpin 6 Deg
XCE-0766.0	Prodigy Steering Block Set 0
XCE-0766.30	Prodigy Steering Block Set -3
XCE-0900	Kingpin Screw - TI